


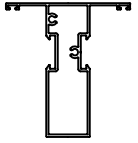
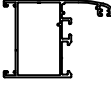

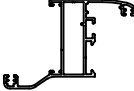
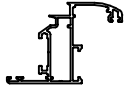
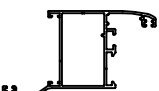
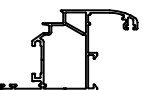
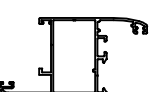
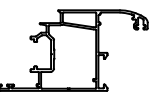
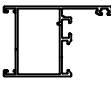
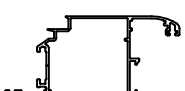
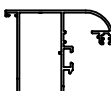
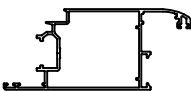
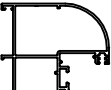
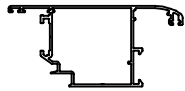
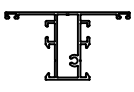
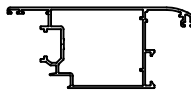
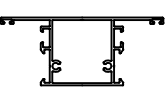

**AS42 - 1,2mm**

YALITIMSIZ KAPI-PENCERE SİSTEMİ  
COLD WINDOW&DOOR SYSTEM

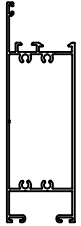



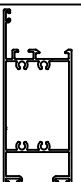
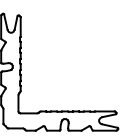


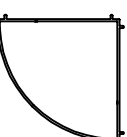

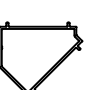

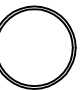
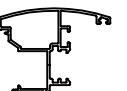
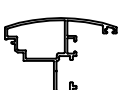
**ASISTAL**

**PROFİL VE AKSESUAR LİSTELERİ**  
*PROFILE & ACCESSORIES LISTS*

### PROFİL LİSTESİ - PROFILE LISTS






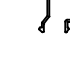
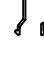

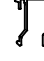





AS42 01	Jx cm <sup>4</sup>	Jy cm <sup>4</sup>		AS42 23	Jx cm <sup>4</sup>	Jy cm <sup>4</sup>		
	5,42	3,32			23,15	6,96		
KASA PROFİLİ-47 mm FRAME PROFILE	AĞIRLIK / Weight			TAKVİYELİ ORTA KAYIT PROFİLİ SUPPORTED TRANSOM MULLION PROFILE	AĞIRLIK / Weight			
	0,637 kg/mt				1,021 kg/mt			
AS42 02	Jx cm <sup>4</sup>	Jy cm <sup>4</sup>		AS42 25	Jx cm <sup>4</sup>	Jy cm <sup>4</sup>		
	6,65	6,77			10,17	53,51		
KASA PROFİLİ-60 mm FRAME PROFILE	AĞIRLIK / Weight			ORTA KAYIT PROFİLİ 127 mm TRANSOM-MULLION PROFILE	AĞIRLIK / Weight			
	0,715 kg/mt				1,209 kg/mt			
AS42 03	Jx cm <sup>4</sup>	Jy cm <sup>4</sup>		AS42 11	Jx cm <sup>4</sup>	Jy cm <sup>4</sup>		
	8,75	8,32			7,07	5,95		
PERVAZLI KASA PROFİLİ FRAME PROFILE	AĞIRLIK / Weight			KANAT PROFİLİ-30 mm SASH PROFILE	AĞIRLIK / Weight			
	0,776 kg/mt				0,761 kg/mt			
AS42 06	Jx cm <sup>4</sup>	Jy cm <sup>4</sup>		AS42 17	Jx cm <sup>4</sup>	Jy cm <sup>4</sup>		
	9,96	14,03			8,97	10,90		
PERVAZLI KASA PROFİLİ FRAME PROFILE	AĞIRLIK / Weight			KANAT PROFİLİ-42 mm SASH PROFILE	AĞIRLIK / Weight			
	0,855 kg/mt				0,891 kg/mt			
AS42 10	Jx cm <sup>4</sup>	Jy cm <sup>4</sup>		AS42 14	Jx cm <sup>4</sup>	Jy cm <sup>4</sup>		
	8,38	12,64			9,68	14,28		
PERVAZLI KASA PROFİLİ FRAME PROFILE	AĞIRLIK / Weight			KANAT PROFİLİ MULTI-POINT SİSTEM SASH PROFILE-MULTI POINT	AĞIRLIK / Weight			
	0,854 kg/mt				0,983 kg/mt			
AS42 07	Jx cm <sup>4</sup>	Jy cm <sup>4</sup>		AS42 12	Jx cm <sup>4</sup>	Jy cm <sup>4</sup>		
	5,44	6,32			10,80	24,32		
KASA PROFİLİ FRAME PROFILE	AĞIRLIK / Weight			İÇE AÇILIR KAPI KANAT PROFİLİ INNER OPENING DOOR SASH PROFILE	AĞIRLIK / Weight			
	0,676 kg/mt				0,986 kg/mt			
AS42 08	Jx cm <sup>4</sup>	Jy cm <sup>4</sup>		AS42 15	Jx cm <sup>4</sup>	Jy cm <sup>4</sup>		
	10,71	9,00			11,54	30,13		
KASA PROFİLİ FRAME PROFILE	AĞIRLIK / Weight			İÇE AÇILIR KAPI KANAT PROFİLİ-MULTI POINT INNER OPENING DOOR SASH PROFILE-MULTI POINT	AĞIRLIK / Weight			
	0,841 kg/mt				1,059 kg/mt			
AS42 04	Jx cm <sup>4</sup>	Jy cm <sup>4</sup>		AS42 13	Jx cm <sup>4</sup>	Jy cm <sup>4</sup>		
	17,63	11,98			9,77	24,32		
KASA PROFİLİ FRAME PROFILE	AĞIRLIK / Weight			DIŞA AÇILIR KAPI KANAT PROFİLİ OUTWARD OPENING DOOR SASH PROFILE	AĞIRLIK / Weight			
	1,042 kg/mt				0,986 kg/mt			
AS42 21	Jx cm <sup>4</sup>	Jy cm <sup>4</sup>		AS42 16	Jx cm <sup>4</sup>	Jy cm <sup>4</sup>		
	4,96	5,37			10,61	30,13		
ORTA KAYIT PROFİLİ 70 mm TRANSOM-MULLION PROFILE	AĞIRLIK / Weight			DIŞA AÇILIR KAPI KANAT PROFİLİ-MULTI POINT OUTER OPENING DOOR SASH PROFILE-MULTI POINT	AĞIRLIK / Weight			
	0,759 kg/mt				1,059 kg/mt			
AS42 22	Jx cm <sup>4</sup>	Jy cm <sup>4</sup>		AS42 33	ETEK PROFİLİ ADAPTÖRÜ BOTTOM PLATE ADAPTER PROFILE	AĞIRLIK / Weight		
	6,97	15,43				0,478 kg/mt		
ORTA KAYIT PROFİLİ 90 mm TRANSOM-MULLION PROFILE	AĞIRLIK / Weight							
	0,943 kg/mt							

## PROFİL LİSTESİ - PROFILE LISTS

AS42 31	Jx cm <sup>4</sup> 64,36	Jy cm <sup>4</sup> 10,89		12-81		
ETEK PROFİLİ-120 mm BOTTOM PLATE PROFILE	AĞIRLIK / Weight 1,321 kg/mt			AS42-SL28 GEÇİŞ ADAPTÖRÜ AS42-SL28 ADAPTER PROFILE		AĞIRLIK / Weight 0,433 kg/mt
AS42 54				12-82		
EŞİK PROFİLİ BOTTOM RAIL PROFILE	AĞIRLIK / Weight 0,350 kg/mt			AS42-SL28 GEÇİŞ ADAPTÖRÜ AS42-SL28 ADAPTER PROFILE		
AS42 32	Jx cm <sup>4</sup> 31,19	Jy cm <sup>4</sup> 8,83		10-010106-00		
ETEK PROFİLİ-95 mm BOTTOM PLATE PROFILE	AĞIRLIK / Weight 1,149 kg/mt			KÖŞE TAKOZU-10,6 mm CORNER JOINT		AĞIRLIK / Weight 2,653 kg/mt
AS42 51	AĞIRLIK / Weight 0,488 kg/mt			10-010225-00		
90° KÖŞE PROFİLİ CORNER PROFILE	AĞIRLIK / Weight 0,488 kg/mt			KÖŞE TAKOZU-22,5 mm CORNER JOINT		AĞIRLIK / Weight 3,566 kg/mt
AS42 55	AĞIRLIK / Weight 0,792 kg/mt			10-010429-00		
90° KÖŞE PROFİLİ CORNER PROFILE	AĞIRLIK / Weight 0,792 kg/mt			KÖŞE TAKOZU-42,7 mm CORNER JOINT		AĞIRLIK / Weight 5,483 kg/mt
AS42 52	AĞIRLIK / Weight 0,462 kg/mt					
135° KÖŞE PROFİLİ CORNER PROFILE	AĞIRLIK / Weight 0,462 kg/mt					
AS42 53	AĞIRLIK / Weight 0,405 kg/mt					
EKSENEL DÖNÜŞ PROFİLİ CORNER PROFILE	AĞIRLIK / Weight 0,405 kg/mt					
01-000450-15	AĞIRLIK / Weight 0,556 kg/mt					
KÖŞE DÖNÜŞ PROFİLİ CORNER PROFILE	AĞIRLIK / Weight 0,556 kg/mt					
AS42 41	AĞIRLIK / Weight 0,776 kg/mt					
ÇİFT KANAT ADAPTÖR PROFİLİ DOUBLE SASH ADAPTER PROFILE	AĞIRLIK / Weight 0,776 kg/mt					
AS42 42	AĞIRLIK / Weight 0,783 kg/mt					
ÇİFT KANAT ADAPTÖR PROFİLİ-MULTI POINT DOUBLE SASH ADAPTER PROFILE - MULTI POINT	AĞIRLIK / Weight 0,783 kg/mt					



## PROFİL LİSTESİ - PROFILE LISTS


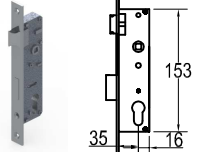



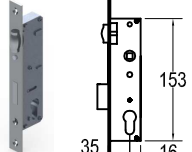












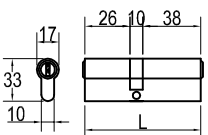
11-004			11-032		
CAM ÇİTASI-4 mm GLAZING BEAD PROFILE	AĞIRLIK / Weight 0,181 kg/mt		CAM ÇİTASI-32 mm GLAZING BEAD PROFILE	AĞIRLIK / Weight 0,315 kg/mt	
11-106			11-035		
CAM ÇİTASI-6 mm GLAZING BEAD PROFILE	AĞIRLIK / Weight 0,202 kg/mt		CAM ÇİTASI-35 mm GLAZING BEAD PROFILE	AĞIRLIK / Weight 0,323 kg/mt	
11-010			11-038		
CAM ÇİTASI-10 mm GLAZING BEAD PROFILE	AĞIRLIK / Weight 0,233 kg/mt		CAM ÇİTASI-38 mm GLAZING BEAD PROFILE	AĞIRLIK / Weight 0,334 kg/mt	
11-015			12-01		
CAM ÇİTASI-15 mm GLAZING BEAD PROFILE	AĞIRLIK / Weight 0,241 kg/mt		DAMLALIK PROFİLİ RAINDROP PROFILE	AĞIRLIK / Weight 0,198 kg/mt	
11-017			12-02		
CAM ÇİTASI-17 mm GLAZING BEAD PROFILE	AĞIRLIK / Weight 0,250 kg/mt		DAMLALIK PROFİLİ RAINDROP PROFILE	AĞIRLIK / Weight 0,136 kg/mt	
11-020			12-03		
CAM ÇİTASI-20 mm GLAZING BEAD PROFILE	AĞIRLIK / Weight 0,276 kg/mt		DAMLALIK PROFİLİ RAINDROP PROFILE	AĞIRLIK / Weight 0,313 kg/mt	
11-022			12-52		
CAM ÇİTASI-22 mm GLAZING BEAD PROFILE	AĞIRLIK / Weight 0,282 kg/mt		PERVAZ PROFİLİ BORDER PROFILE	AĞIRLIK / Weight 0,279 kg/mt	
11-026			12-53		
CAM ÇİTASI-26 mm GLAZING BEAD PROFILE	AĞIRLIK / Weight 0,296 kg/mt		PERVAZ MONTAJ PROFİLİ BORDER FIXING PROFILE	AĞIRLIK / Weight 0,177 kg/mt	
11-028			12-54		
CAM ÇİTASI-28 mm GLAZING BEAD PROFILE	AĞIRLIK / Weight 0,302 kg/mt		PERVAZ PROFİLİ BORDER PROFILE	AĞIRLIK / Weight 0,326 kg/mt	
11-030			12-41		
CAM ÇİTASI-30 mm GLAZING BEAD PROFILE	AĞIRLIK / Weight 0,308 kg/mt		TİJ PROFİLİ ROD PROFILE	AĞIRLIK / Weight 0,118 kg/mt	





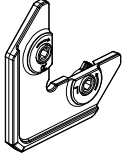
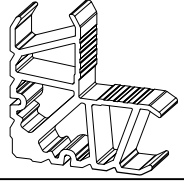



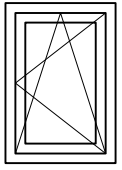
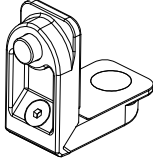
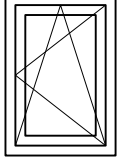
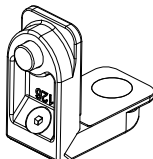
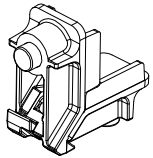
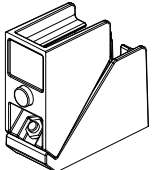
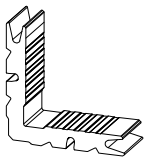
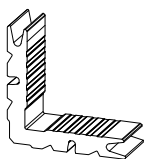
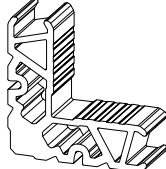
## AKSESUAR LİSTESİ - ACCESSORIES LISTS

EP1-01			ASI-H 9730		
DIŞ CAM FİTİLİ - 2,5 mm OUTER GLAZING GASKET	KOLİ MİKTARI/Package 240 mt / 15 kg		SİSTEM İKİLİ MENTEŞE DOUBLE SYSTEM HINGE	KOLİ MİKTARI/Package 250 Adet / Piece	
EP2-01			ASI-H 9733		
İÇ CAM FİTİLİ - 3 mm INNER GLAZING GASKET	KOLİ MİKTARI/Package 440 mt / 15 kg		SİSTEM ÜÇLÜ MENTEŞE TRIPLE SYSTEM HINGE	KOLİ MİKTARI/Package 250 Adet / Piece	
EP2-02			ASI-H 3300		
İÇ CAM FİTİLİ - 4 mm INNER GLAZING GASKET	KOLİ MİKTARI/Package 300 mt / 15 kg		SİSTEM KAPI MENTEŞESİ SYSTEM DOOR HINGE	KOLİ MİKTARI/Package Adet / Piece	
EP2-03			ASI-V 820		
İÇ CAM FİTİLİ - 5 mm INNER GLAZING GASKET	KOLİ MİKTARI/Package 250 mt / 15 kg		VASİSTAS AÇILIM KOLU TRANSOM OPENING HANDLE	KOLİ MİKTARI/Package 30 Adet / Piece	
EP4-01			ASI-V 816		
ORTA BİNİ FİTİLİ GASKET FOR OPEN JOINT	KOLİ MİKTARI/Package 150 mt / 15 kg		VASİSTAS AÇILIM KOLU TRANSOM OPENING HANDLE	KOLİ MİKTARI/Package 50 Adet / Piece	
EP3-01			ASI-V 1000		
KANAT BİNİ FİTİLİ SASH GASKET	KOLİ MİKTARI/Package 430 mt / 15 kg		VASİSTAS MAKAS (PVC) TRANSOM RESTRICTER	KOLİ MİKTARI/Package 120 Adet / Piece	
KF 67-1000			ASI-V 1080		
FİRÇA FİTİL BRUSH GASKET	KOLİ MİKTARI/Package 600 mt		VASİSTAS MAKAS TRANSOM RESTRICTER	KOLİ MİKTARI/Package 60 Adet / Piece	
ASI-F 100A			ASI-V 1275-3		
KAPI ALTI FİRÇASI DOOR BRUSH GASKET	KOLİ MİKTARI/Package Adet / Piece		VASİSTAS 3 KADEMELİ ÇELİK MAKAS TRANSOM RESTRICTER WITH 3 POSITIONS	KOLİ MİKTARI/Package 10 Adet / Piece	
AS42 CAP			ASI-V 1275-5		
AS42 33 KAPAĞI AS42 33 COVER	KOLİ MİKTARI/Package sağ-sol 1 takım		VASİSTAS 5 KADEMELİ ÇELİK MAKAS TRANSOM RESTRICTER WITH 5 POSITIONS	KOLİ MİKTARI/Package 10 Adet / Piece	
AS42 HOK			ASI-V 0148		
ADAPTÖR KAPAĞI ADAPTER COVER	KOLİ MİKTARI/Package alt-üst 1 takım		VASİSTAS ÇELİK MAKAS TRANSOM STEEL RESTRICTER	KOLİ MİKTARI/Package 100 Adet / Piece	

<b>ASI-WH 003</b>			<b>ASI-153 35</b>		
TEK DİLLİ EKSENEL KOL WINDOW HANDLE	KOLİ MİKTARI/Package Adet / Piece		DİLLİ KİLİT MOURTISE LOCK WITH CYLINDER	KOLİ MİKTARI/Package Adet / Piece	
<b>ASI-WH 004</b>			<b>ASI-LS 90815D</b>		
ÇİFT DİLLİ EKSENEL KOL WINDOW HANDLE	KOLİ MİKTARI/Package Adet / Piece		DİLLİ KİLİT KARŞILIĞI LOCK STRIKES	KOLİ MİKTARI/Package Adet / Piece	
<b>ASI-KA M108</b>			<b>ASI-155 35</b>		
EKSENEL KOL KİLİTLEME MEKANİZMASI LOCKING FOR WINDOW	KOLİ MİKTARI/Package Adet / Piece		MAKARALI KİLİT MOURTISE LOCK WITH ROLLER	KOLİ MİKTARI/Package Adet / Piece	
<b>ASI-KA P200</b>			<b>ASI-LS 90185M</b>		
EKSENEL KOL KİLİTLEME MEKANİZMASI LOCKING FOR WINDOW	KOLİ MİKTARI/Package Adet / Piece		MAKARALI KİLİT KARŞILIĞI ROLLER LOCK STRIKES	KOLİ MİKTARI/Package Adet / Piece	
<b>ASI-KA VNT</b>			<b>ASI-B 2217</b>		
KANAT SABİTLEME SASH FIXING	KOLİ MİKTARI/Package Adet / Piece		SÜRGÜ KİLİTLEME-KISA SASH FIXING LOCK-SHORT	KOLİ MİKTARI/Package 240 Adet / Piece	
<b>ASI-WH 001</b>			<b>ASI-B 2215</b>		
KARE MİLLİ PENCERE KOLU WINDOW HANDLE	KOLİ MİKTARI/Package Adet / Piece		SÜRGÜ KİLİTLEME-UZUN SASH FIXING LOCK-LONG	KOLİ MİKTARI/Package 120 Adet / Piece	
<b>ASI-DH 002</b>			<b>ASI-RP 001</b>		
KAPI KOLU DOOR HANDLE	KOLİ MİKTARI/Package Adet / Piece		AYARLI TİJ PİMİ ADJUSTABLE LOCKING PAWL	KOLİ MİKTARI/Package Adet / Piece	
<b>ASI-DH 60Y</b>			<b>ASI-RS 001</b>		
ÇEKME KAPI KOLU DOOR HANDLE	KOLİ MİKTARI/Package Adet / Piece		PİM KARŞILIĞI ROD PROFILE STRIKES	KOLİ MİKTARI/Package 120 Adet / Piece	
<b>ASI-DH 40KB</b>			<b>ASI-WDC 01</b>		
ÇEKME KAPI KOLU DOOR HANDLE	KOLİ MİKTARI/Package Adet / Piece		YAĞMUR TAHLİYE KAPAĞI WATER REJECT COVER	KOLİ MİKTARI/Package Adet / Piece	
<b>ASI-BRL 74</b>					
74 LÜK BAREL CYLINDER 74	KOLİ MİKTARI/Package Adet / Piece				



## AKSESUAR LİSTESİ - ACCESSORIES LISTS

<b>ASI-FUJI 2000</b>			<b>ASI-KT 2650</b>		
AYARLI KÖŞE GÖNYESİ CORNER ALIGNMENT	KOLİ MİKTARI/Package Adet / Piece		KÖŞE TAKOZU CORNER JOINT	KOLİ MİKTARI/Package Adet / Piece	
<b>ASI-SB 19</b>			<b>ASI-P 100.1</b>		
KÖŞE GÖNYESİ CORNER ALIGNMENT	KOLİ MİKTARI/Package 1000 Adet / Piece		ORTA KAYIT BAĞLANTI T JOINT FIXING	KOLİ MİKTARI/Package 250 Adet / Piece	
<b>ASI-SB 19.1</b>			<b>ASI-ALU TT</b>		
KÖŞE GÖNYESİ CORNER ALIGNMENT	KOLİ MİKTARI/Package 1000 Adet / Piece		ÇİFT EKSEN AÇILIM MEKANİZMASI TILT&TURN OPENING	KOLİ MİKTARI/Package Takım / Set	
<b>ASI-PB 1124</b>			<b>ASI-PVC TT</b>		
PİMLİ KÖŞE BAĞLANTI CORNER JOINT	KOLİ MİKTARI/Package 200 Adet / Piece		ÇİFT EKSEN AÇILIM MEKANİZMASI TILT&TURN OPENING	KOLİ MİKTARI/Package Takım / Set	
<b>ASI-PB 1126</b>					
PİMLİ KÖŞE BAĞLANTI CORNER JOINT	KOLİ MİKTARI/Package 200 Adet / Piece				
<b>ASI-PB 2326</b>					
PİMLİ KÖŞE BAĞLANTI CORNER JOINT	KOLİ MİKTARI/Package 200 Adet / Piece				
<b>ASI-PB 2650</b>					
PİMLİ KÖŞE BAĞLANTI CORNER JOINT	KOLİ MİKTARI/Package 150 Adet / Piece				
<b>ASI-KT 1124</b>					
KÖŞE TAKOZU CORNER JOINT	KOLİ MİKTARI/Package Adet / Piece				
<b>ASI-KT 1126</b>					
KÖŞE TAKOZU CORNER JOINT	KOLİ MİKTARI/Package Adet / Piece				
<b>ASI-KT 2660</b>					
KÖŞE TAKOZU CORNER JOINT	KOLİ MİKTARI/Package Adet / Piece				

**AS42 - 1,2mm**

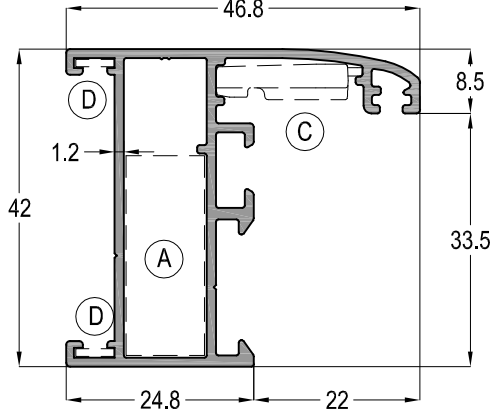
YALITIMSIZ KAPI-PENCERE SİSTEMİ  
COLD WINDOW&DOOR SYSTEM

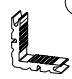

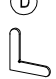
**ASISTAL**

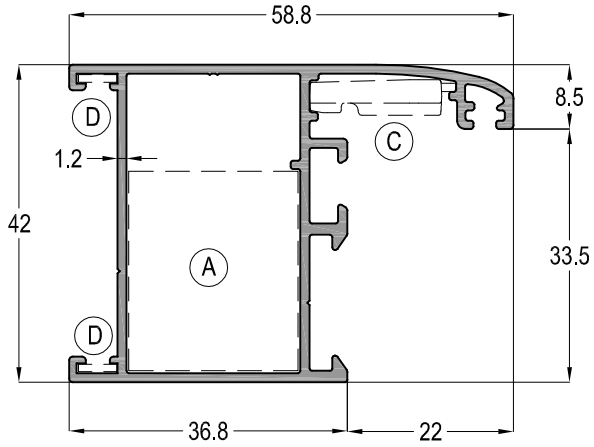
**PROFİL DETAYLARI**  
*PROFILE DETAILS*



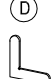
# AS42 - 1,2mm

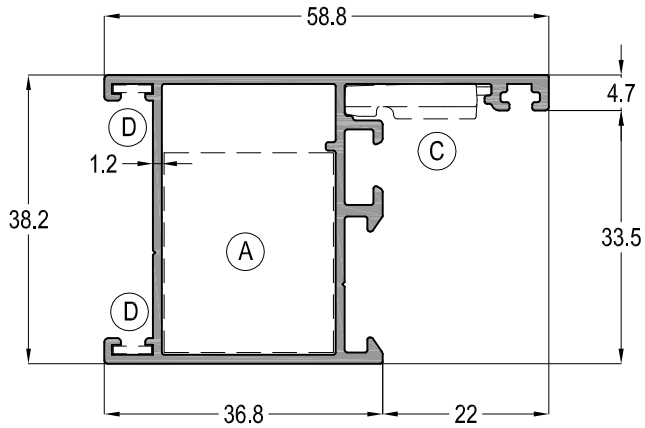
YALITIMSIZ KAPI-PENCERE SİSTEMİ  
COLD WINDOW&DOOR SYSTEM



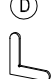


AS42 01		Jx cm <sup>4</sup>	Jy cm <sup>4</sup>
		5,42	3,32
 ASI-KT 1126-ASI-PB 1126	 ASI-FUJI 2000	 ASI-SB 19	AĞIRLIK / Weight
0,637 kg/mt			



AS42 02		Jx cm <sup>4</sup>	Jy cm <sup>4</sup>
		6,65	6,77
 ASI-KT 2660-ASI-PB 2326	 ASI-FUJI 2000	 ASI-SB 19	AĞIRLIK / Weight
0,715 kg/mt			

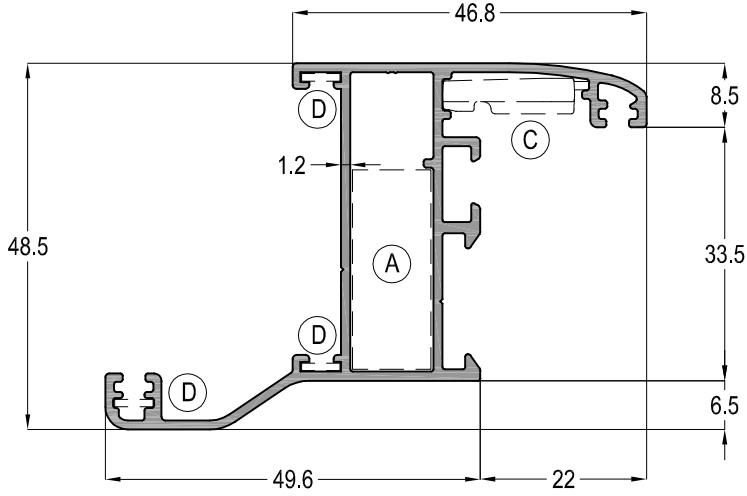



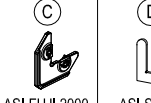
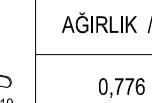
AS42 07		Jx cm <sup>4</sup>	Jy cm <sup>4</sup>
		5,44	6,32
 ASI-KT 2660-ASI-PB 2326	 ASI-FUJI 2000	 ASI-SB 19	AĞIRLIK / Weight
0,676 kg/mt			

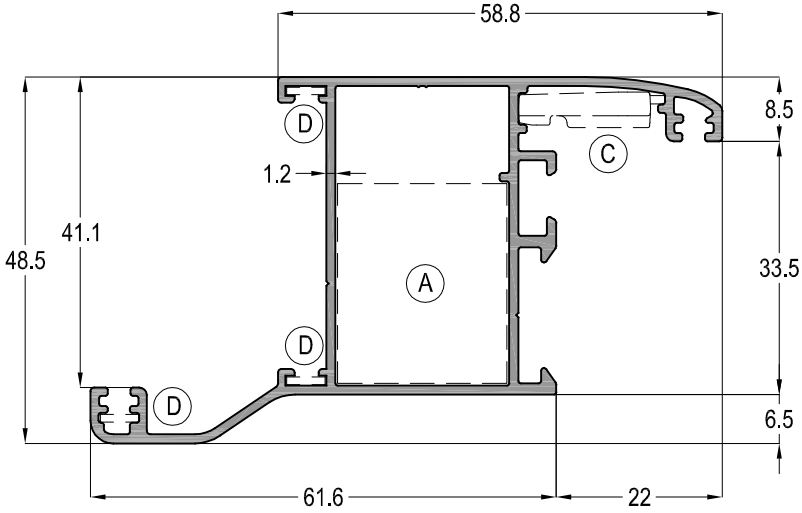
# AS42 - 1,2mm

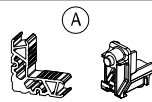
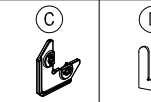
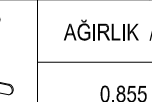
YALITIMSIZ KAPI-PENCERE SİSTEMİ  
COLD WINDOW&DOOR SYSTEM

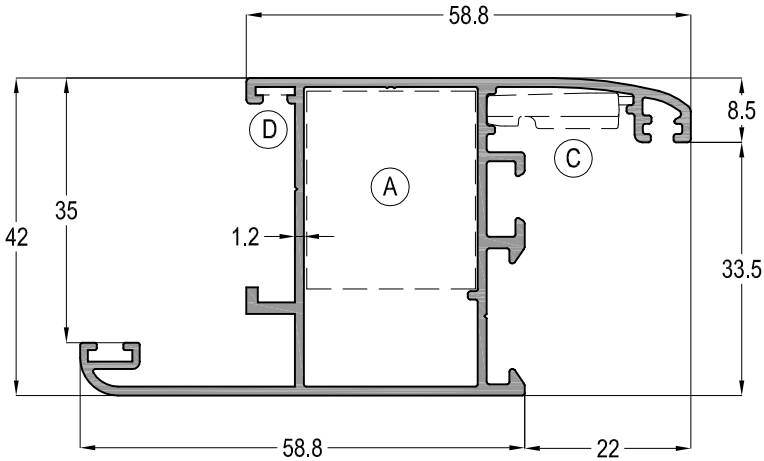
**ASISTAL**

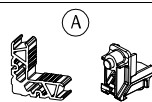
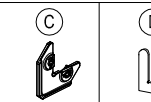



AS42 03		Jx cm <sup>4</sup>	Jy cm <sup>4</sup>
		8,75	8,32
		AĞIRLIK / Weight 0,776 kg/mt	
			



AS42 06		Jx cm <sup>4</sup>	Jy cm <sup>4</sup>
		9,96	14,03
		AĞIRLIK / Weight 0,855 kg/mt	
			

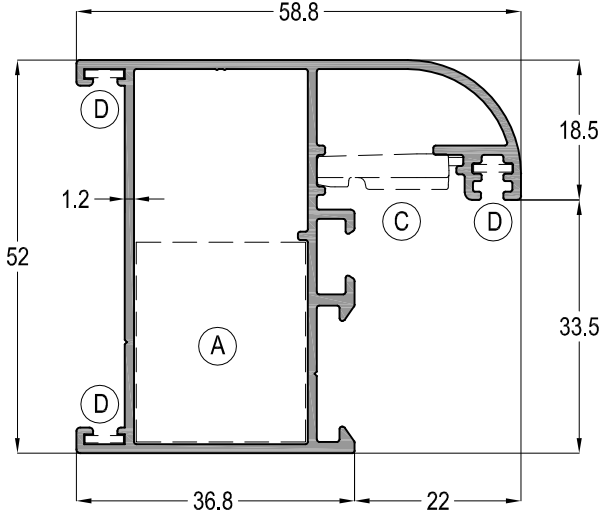


AS42 10		Jx cm <sup>4</sup>	Jy cm <sup>4</sup>
		8,38	12,64
		AĞIRLIK / Weight 0,854 kg/mt	
			

# AS42 - 1,2mm

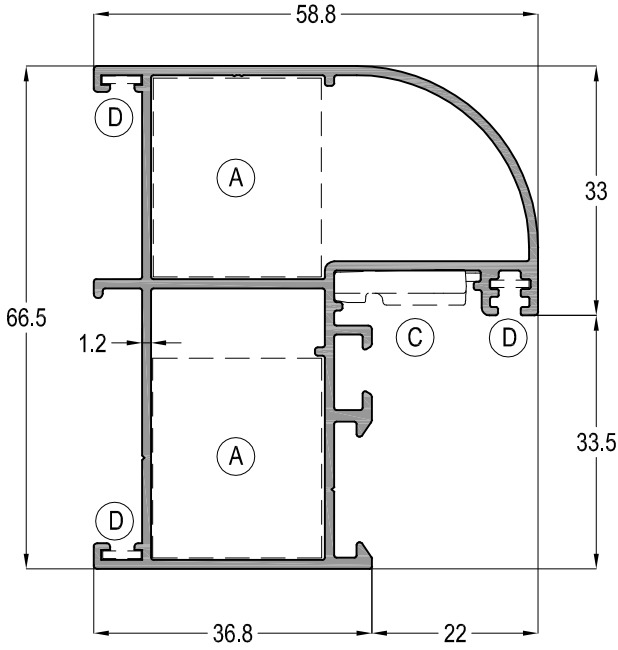
YALITIMSIZ KAPI-PENCERE SİSTEMİ  
COLD WINDOW&DOOR SYSTEM

**ASISTAL**



AS42 08		Jx cm <sup>4</sup>	Jy cm <sup>4</sup>
		10,71	9,00
AĞIRLIK / Weight			
0,841 kg/mt			

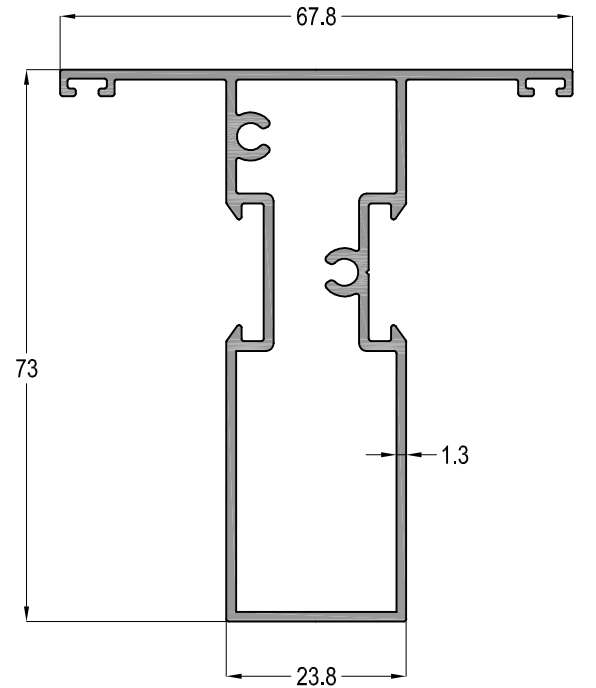
ASI-KT 2660-ASI-PB 2326 ASI-FUJII 2000 ASI-SB 19



AS42 04		Jx cm <sup>4</sup>	Jy cm <sup>4</sup>
		17,63	11,98
AĞIRLIK / Weight			
1,042 kg/mt			

ASI-KT 2660-ASI-PB 2326 ASI-FUJII 2000 ASI-SB 19

AS42 23		Jx cm <sup>4</sup>	Jy cm <sup>4</sup>
		23,15	6,96
AĞIRLIK / Weight			
1,021 kg/mt			

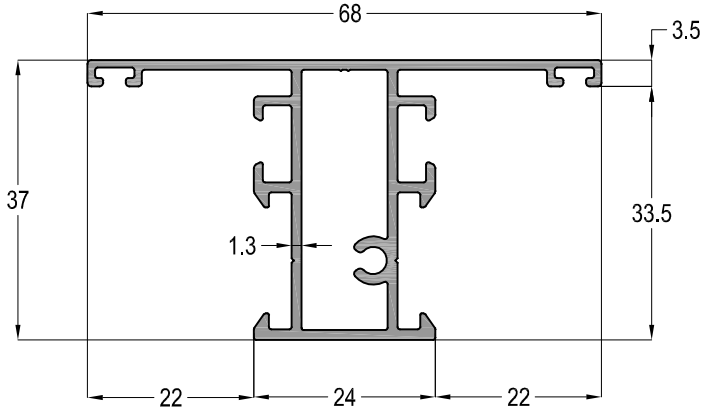


Profil ağırlıklarımız teorik olup; teslim anındaki tartımız geçerlidir.

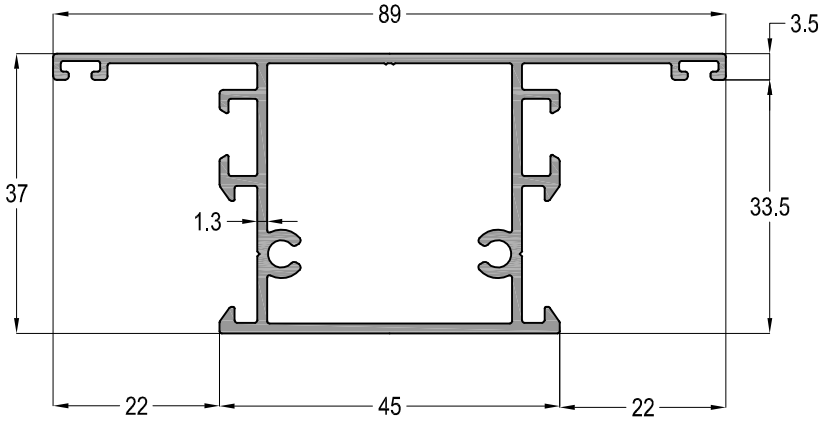
# AS42 - 1,2mm

YALITIMSIZ KAPI-PENCERE SİSTEMİ  
COLD WINDOW&DOOR SYSTEM

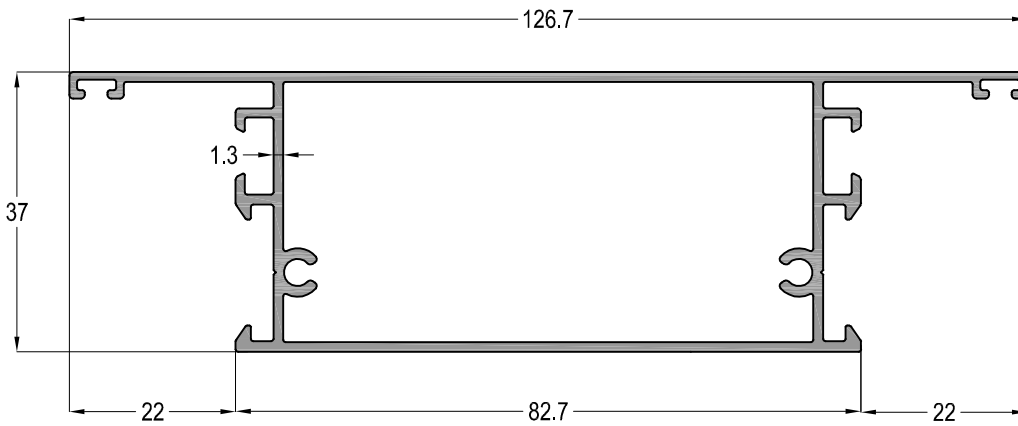
**ASISTAL**



AS42 21	Jx cm <sup>4</sup>	Jy cm <sup>4</sup>
	4,96	5,37
AĞIRLIK / Weight		
0,759 kg/mt		



AS42 22	Jx cm <sup>4</sup>	Jy cm <sup>4</sup>
	6,97	15,43
AĞIRLIK / Weight		
1,198 kg/mt		



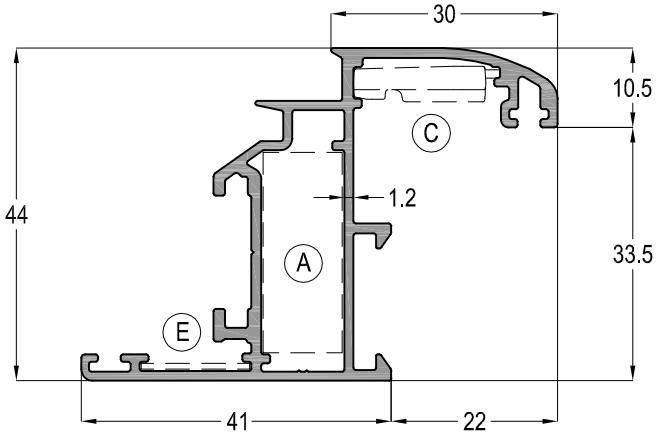
AS42 25	Jx cm <sup>4</sup>	Jy cm <sup>4</sup>
	10,17	53,51
AĞIRLIK / Weight		
1,209 kg/mt		

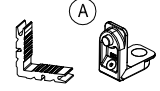

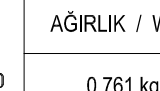


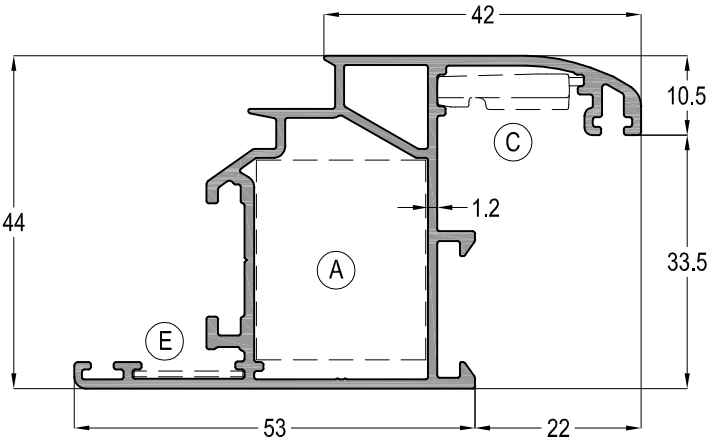
# AS42 - 1,2mm

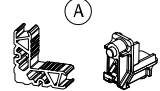

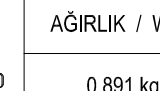
YALITIMSIZ KAPI-PENCERE SİSTEMİ  
COLD WINDOW&DOOR SYSTEM

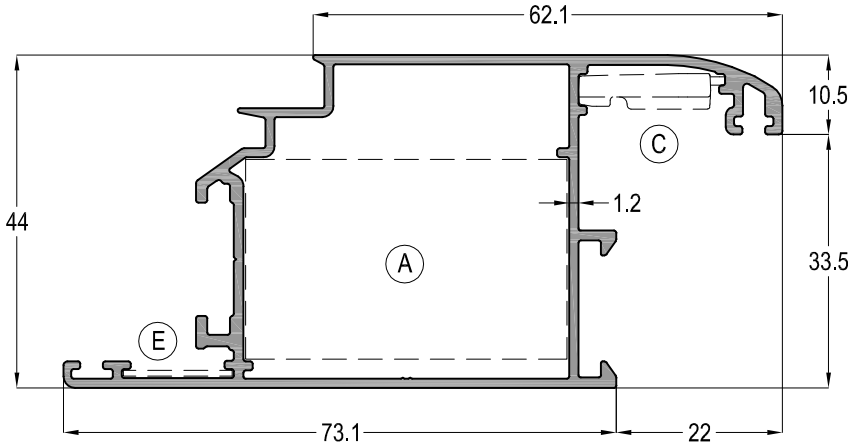
**ASISTAL**






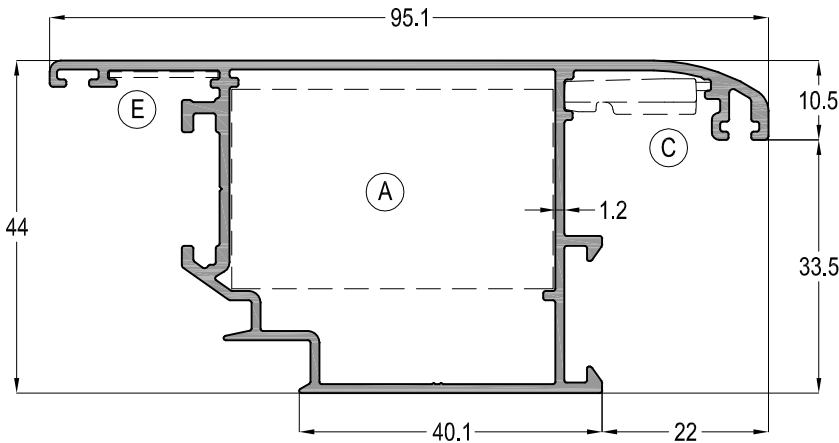
AS42 11			Jx cm <sup>4</sup>	Jy cm <sup>4</sup>
			7,07	5,95
 (A)	 (C)	 (E)	AĞIRLIK / Weight	
ASI-KT 1126-ASI-PB 1126			0,761 kg/mt	






AS42 17			Jx cm <sup>4</sup>	Jy cm <sup>4</sup>
			8,97	10,90
 (A)	 (C)	 (E)	AĞIRLIK / Weight	
ASI-KT 2660-ASI-PB 2326			0,891 kg/mt	



AS42 12			Jx cm <sup>4</sup>	Jy cm <sup>4</sup>
			10,80	24,32
 (A)	 (C)	 (E)	AĞIRLIK / Weight	
ASI-KT 2650-ASI-PB 2650			0,986 kg/mt	



AS42 13			Jx cm <sup>4</sup>	Jy cm <sup>4</sup>
			9,77	24,32
 (A)	 (C)	 (E)	AĞIRLIK / Weight	
ASI-KT 2650-ASI-PB 2650			0,986 kg/mt	

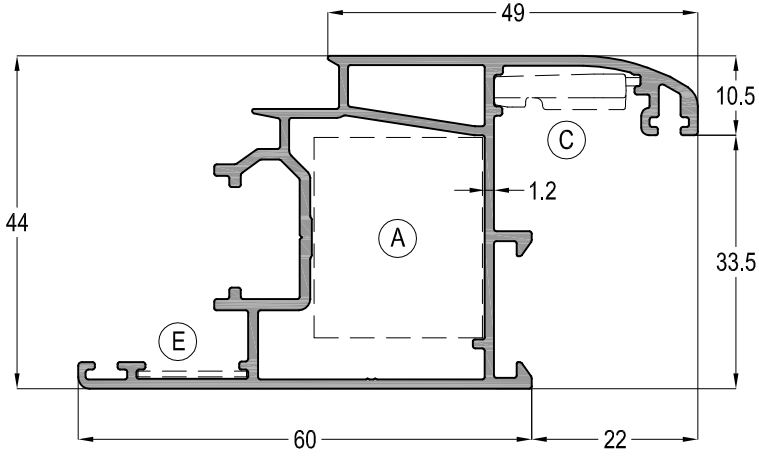
Profil ağırlıklarımız teorik olup; teslim anındaki tartımız geçerlidir.




# AS42 - 1,2mm

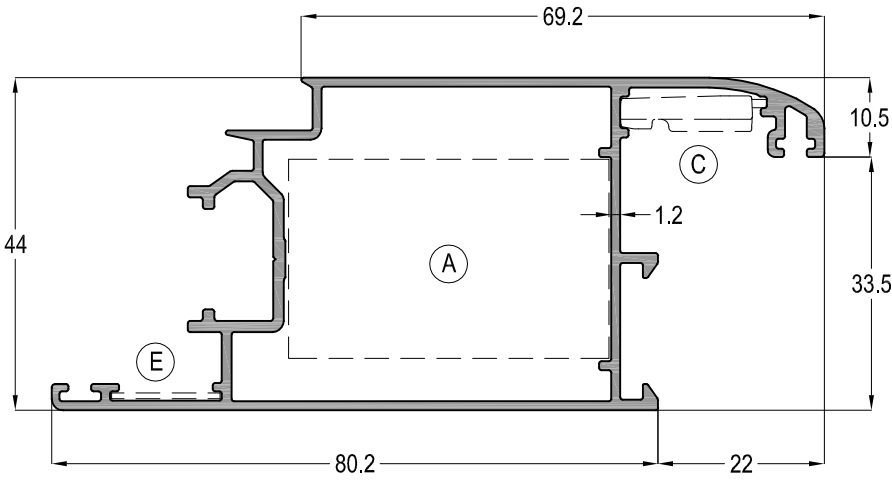
YALITIMSIZ KAPI-PENCERE SİSTEMİ  
COLD WINDOW&DOOR SYSTEM



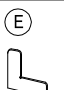
## ASISTAL

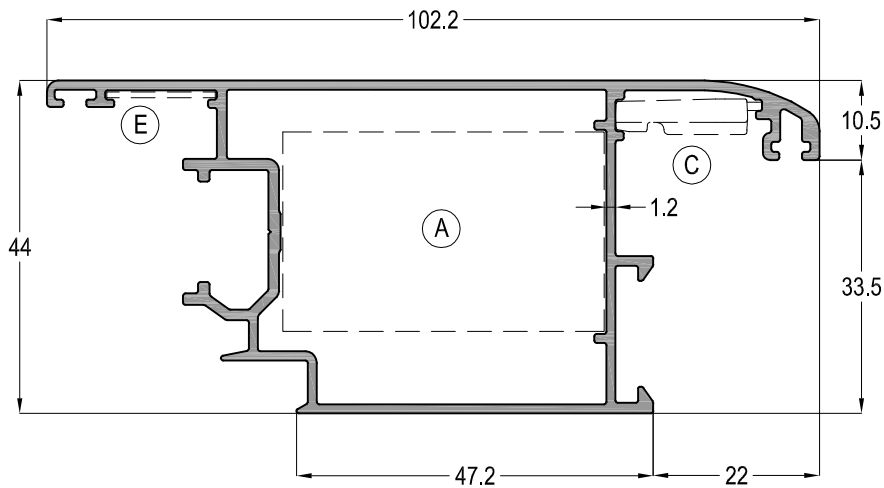
### ÇOK NOKTADAN KİLİTLEME KANAT PROFİLLERİ MULTI POINT LOCK SASH PROFILES



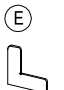


AS42 14			Jx cm <sup>4</sup>	Jy cm <sup>4</sup>
			9,68	14,28
			AĞIRLIK / Weight	
ASI-KT 2660-ASI-PB 2326			0,983 kg/mt	
ASI-FUJII 2000				
ASI-SB 19.1				



AS42 15			Jx cm <sup>4</sup>	Jy cm <sup>4</sup>
			11,54	30,13
			AĞIRLIK / Weight	
ASI-KT 2650-ASI-PB 2650			1,059 kg/mt	
ASI-FUJII 2000				
ASI-SB 19.1				



AS42 16			Jx cm <sup>4</sup>	Jy cm <sup>4</sup>
			10,61	30,13
			AĞIRLIK / Weight	
ASI-KT 2650-ASI-PB 2650			1,059 kg/mt	
ASI-FUJII 2000				
ASI-SB 19.1				

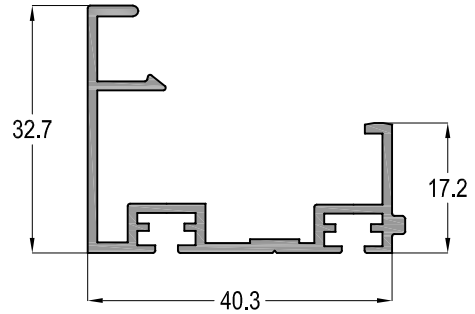
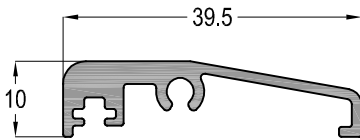
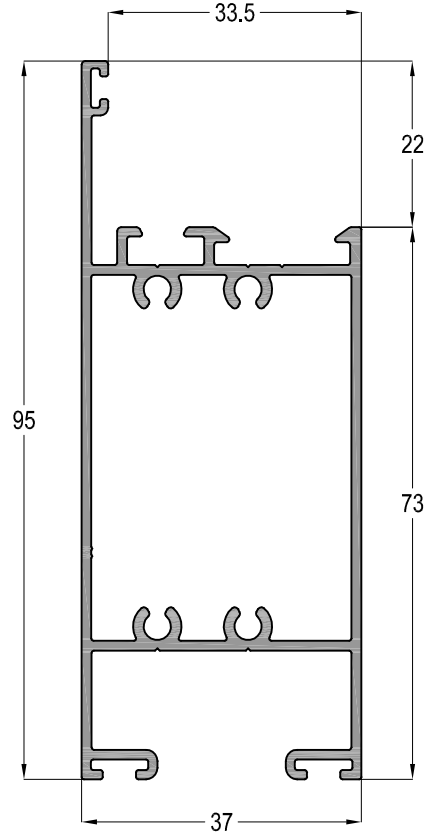
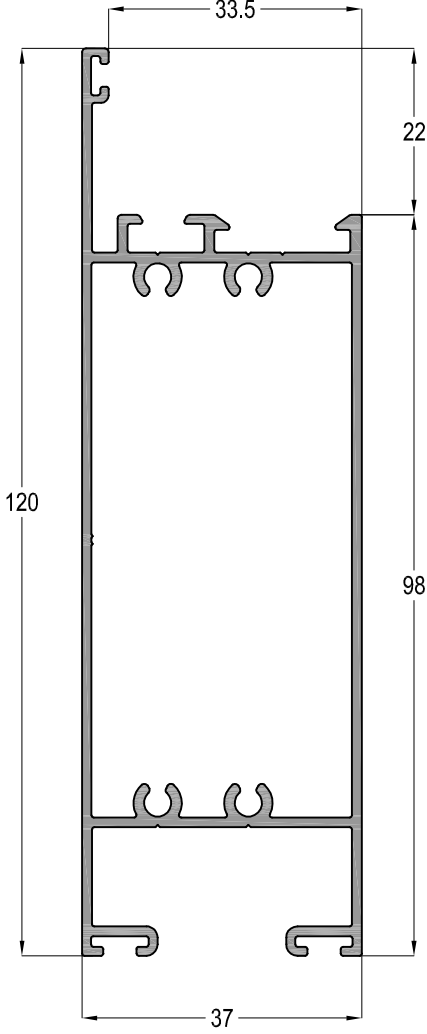
# AS42 - 1,2mm

YALITIMSIZ KAPI-PENCERE SİSTEMİ  
COLD WINDOW&DOOR SYSTEM




AS42 31	Jx cm <sup>4</sup>	Jy cm <sup>4</sup>
	64,36	10,89
AĞIRLIK / Weight		
1,321 kg/mt		

AS42 32	Jx cm <sup>4</sup>	Jy cm <sup>4</sup>
	31,19	8,83
AĞIRLIK / Weight		
1,149 kg/mt		



AS42 54	
AĞIRLIK / Weight	
0,350 kg/mt	

AS42 33	
	AĞIRLIK / Weight
	0,478 kg/mt

Profil ağırlıklarımız teorik olup; teslim anındaki tartımız geçerlidir.

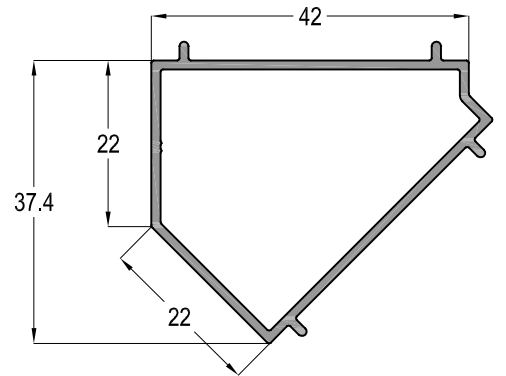
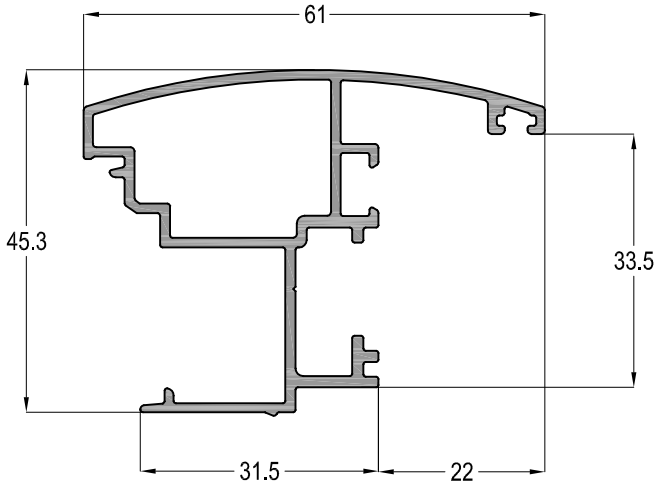
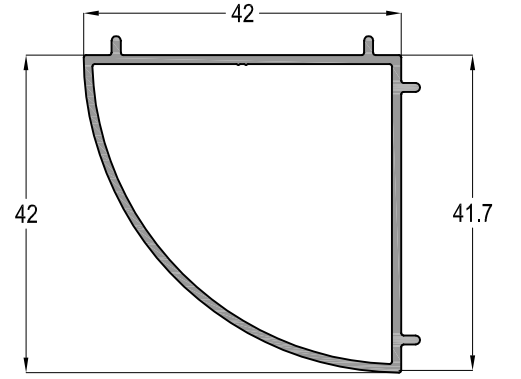
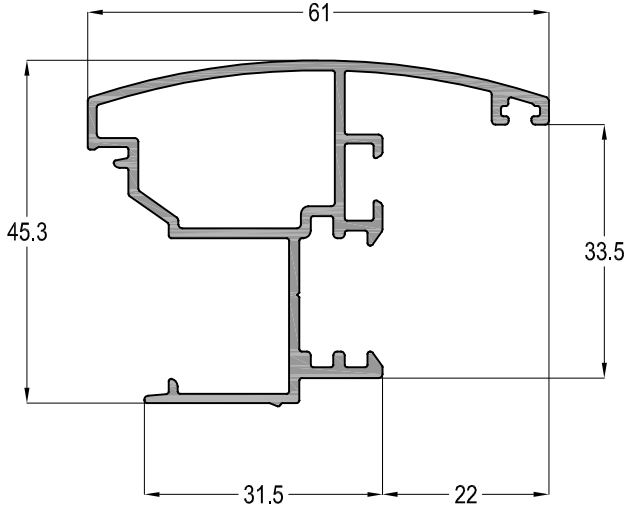
# AS42 - 1,2mm

YALITIMSIZ KAPI-PENCERE SİSTEMİ  
COLD WINDOW&DOOR SYSTEM



AS42 41	
 AS42 HOK	AĞIRLIK / Weight 0,776 kg/mt

AS42 51	
	AĞIRLIK / Weight 0,488 kg/mt



AS42 42	
 AS42 HOK	AĞIRLIK / Weight 0,783 kg/mt

AS42 52	
	AĞIRLIK / Weight 0,462 kg/mt

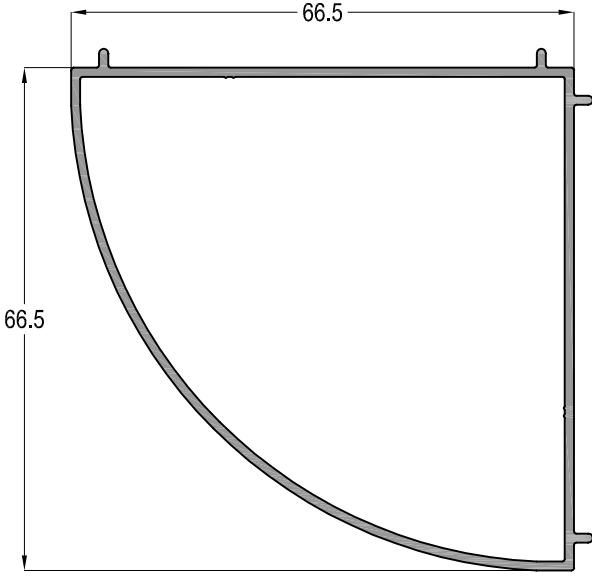
# AS42 - 1,2mm

YALITIMSIZ KAPI-PENCERE SİSTEMİ  
COLD WINDOW&DOOR SYSTEM



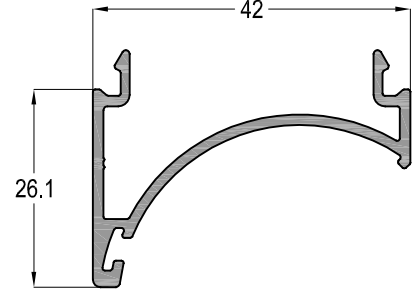
## AS42 55

	AĞIRLIK / Weight
	0,792 kg/mt



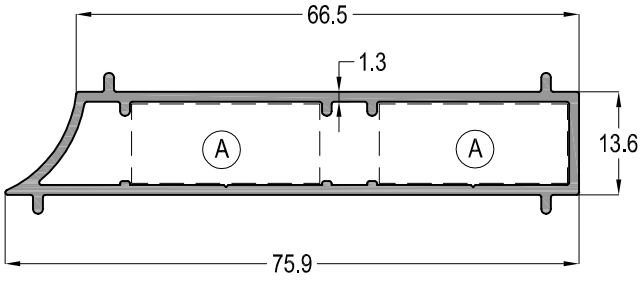
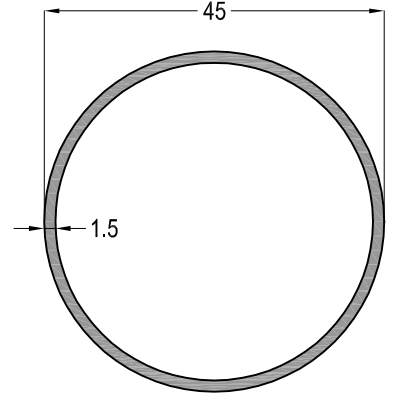
## AS42 53

	AĞIRLIK / Weight
	0,405 kg/mt




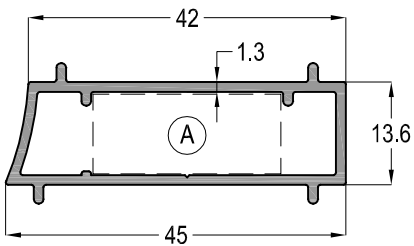
## 01-000450-15

	AĞIRLIK / Weight
	0,556 kg/mt




## 12-82

 ASI-KT 1124~ASI-PB 1124	AĞIRLIK / Weight
	0,644 kg/mt



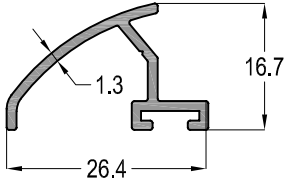
## 12-81

 ASI-KT 1124~ASI-PB 1124	AĞIRLIK / Weight
	0,433 kg/mt

# AS42 - 1,2mm

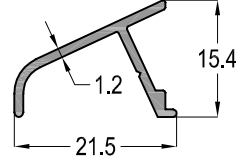
YALITIMSIZ KAPI-PENCERE SİSTEMİ  
COLD WINDOW&DOOR SYSTEM

## ASISTAL



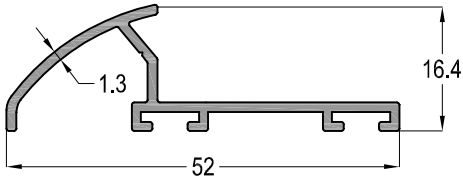
12-01

0,198 kg/mt



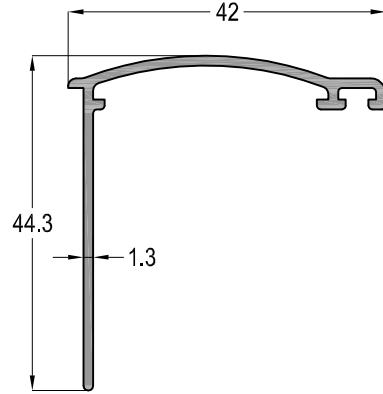
12-02

0,136 kg/mt



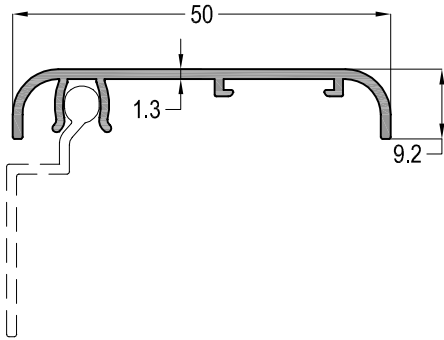
12-03

0,313 kg/mt



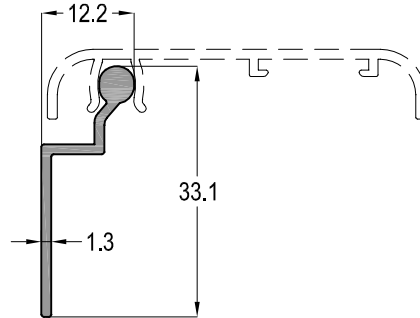
12-54

0,326 kg/mt



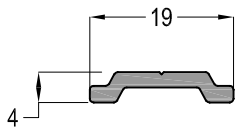
12-52

0,279 kg/mt



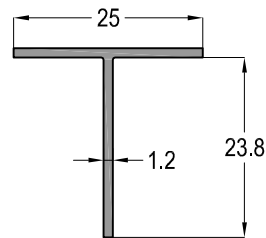
12-53

0,177 kg/mt



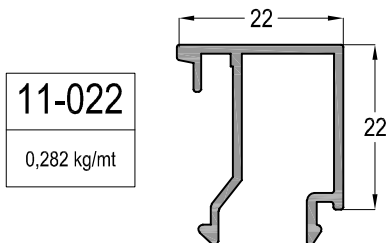
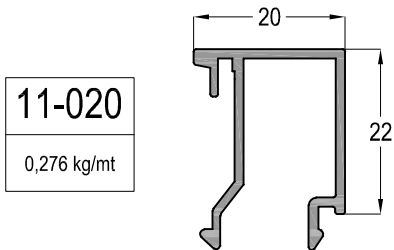
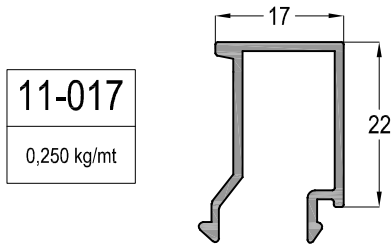
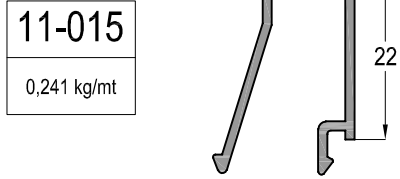
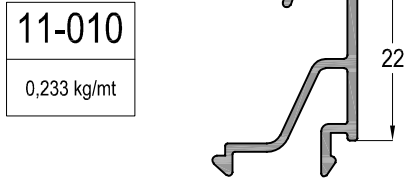
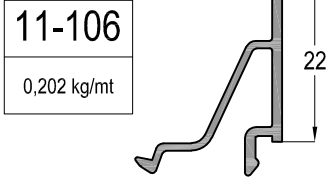
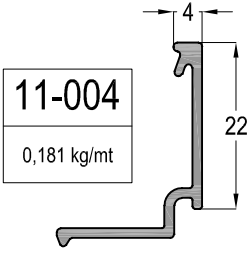
12-41

0,118 kg/mt



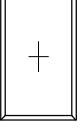
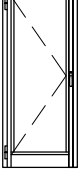
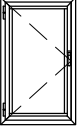
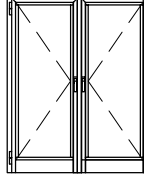
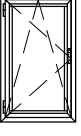

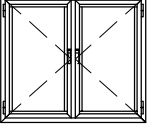
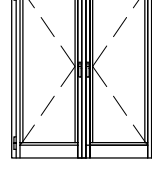
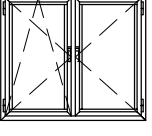
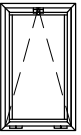
04-025025-12

0,158 kg/mt



CAM KALINLIĞINA GÖRE CAM ÇİTASI SEÇİM TABLOSU Glazing Bead Selection Table according to the Glass Thickness			
CAM KALINLIĞI Glass Thickness (mm)	CAM ÇİTASI Glazing Bead	İÇ CAM FITİLİ Glass Gasket (IN)	DIŞ CAM FITİLİ Glass Gasket (OUT)
4	11-022	EP2-02	EP1-01
5	11-022	EP2-01	EP1-01
6	11-020	EP2-02	EP1-01
8	11-017	EP2-03	EP1-01
9	11-017	EP2-02	EP1-01
10	11-017	EP2-01	EP1-01
11	11-015	EP2-02	EP1-01
12	11-015	EP2-01	EP1-01
15	11-010	EP2-03	EP1-01
16	11-010	EP2-02	EP1-01
17	11-010	EP2-01	EP1-01
19	11-106	EP2-03	EP1-01
20	11-106	EP2-02	EP1-01
21	11-106	EP2-01	EP1-01
22	11-004	EP2-03	EP1-01
23	11-004	EP2-02	EP1-01
24	11-004	EP2-01	EP1-01

**AÇILIM TİPLERİ** - OPENING TYPES

	<b>SABİT</b> <i>FIXED</i>		<b>TEK KANAT İÇE AÇILIR KAPI</b> <i>SINGLE INNER OPENING DOOR</i>
	<b>TEK KANAT AÇILIR</b> <i>SINGLE OPENING SASH</i>		<b>ÇİFT KANAT İÇE AÇILIR KAPI</b> <i>DOUBLE INNER OPENING DOOR</i>
	<b>TEK KANAT ÇİFT EKSEN AÇILIM KANAT</b> <i>SINGLE TILT-TURN OPENING SASH</i>		<b>TEK KANAT DIŞA AÇILIR KAPI</b> <i>SINGLE OUTER OPENING DOOR</i>
	<b>ÇİFT KANAT AÇILIR</b> <i>DOUBLE OPENING SASH</i>		<b>ÇİFT KANAT DIŞA AÇILIR KAPI</b> <i>DOUBLE OUTER OPENING DOOR</i>
	<b>ÇİFT EKSEN AÇILIM ÇİFT KANAT</b> <i>TILT-TURN OPENING DOUBLE SASH</i>		
	<b>VASİSTAS AÇILIM KANAT</b> <i>VENT OPENING SASH</i>		



**AS42 - 1,2mm**

YALITIMSIZ KAPI-PENCERE SİSTEMİ  
COLD WINDOW&DOOR SYSTEM

**ASISTAL**

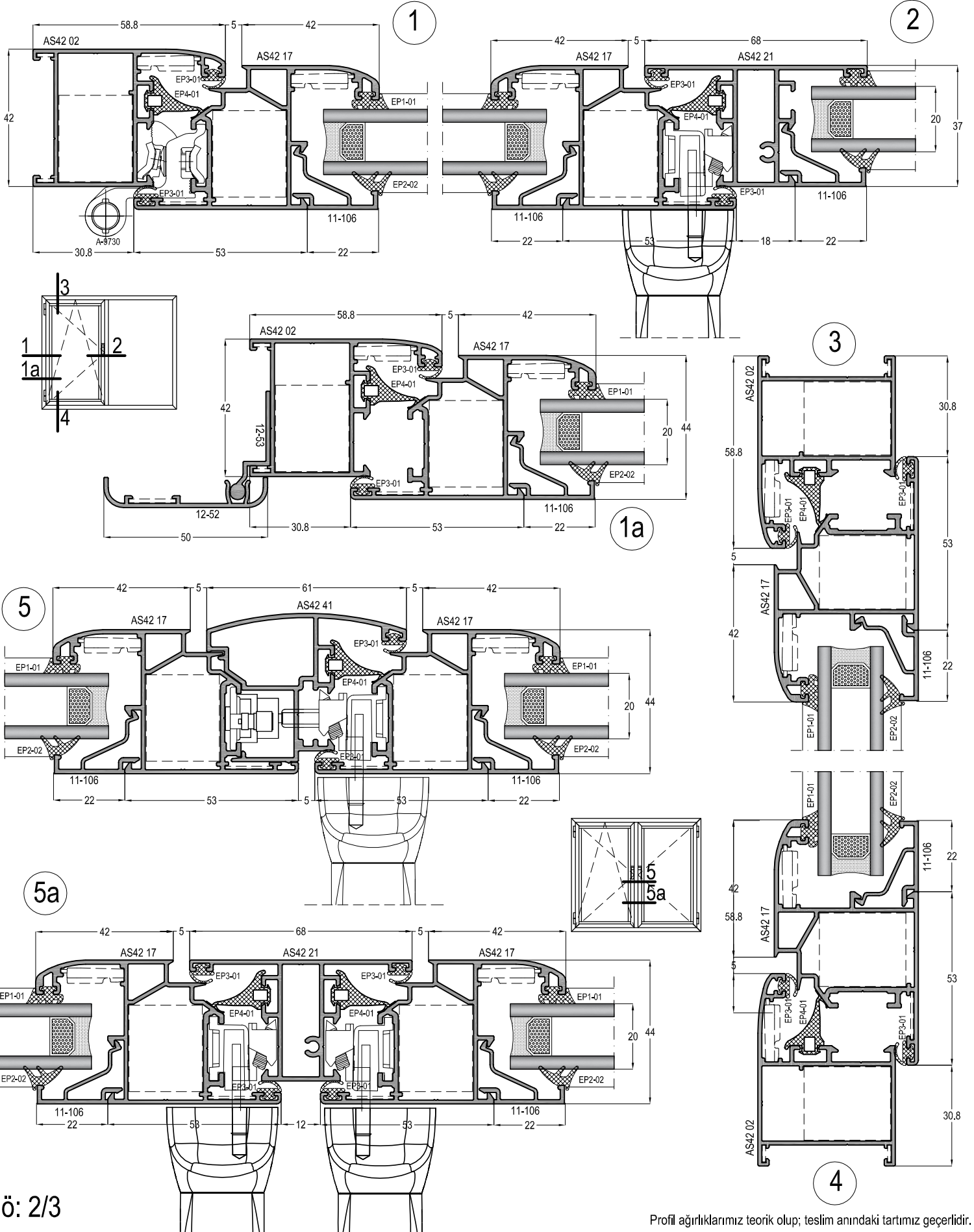
**SİSTEM DETAYLARI**  
*SYSTEM DETAILS*

# AS42 - 1,2mm

YALITIMSIZ KAPI-PENCERE SİSTEMİ  
COLD WINDOW&DOOR SYSTEM



## PENCERE AÇILIM DETAYLARI WINDOW OPENING DETAILS



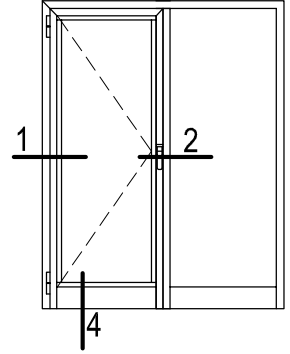
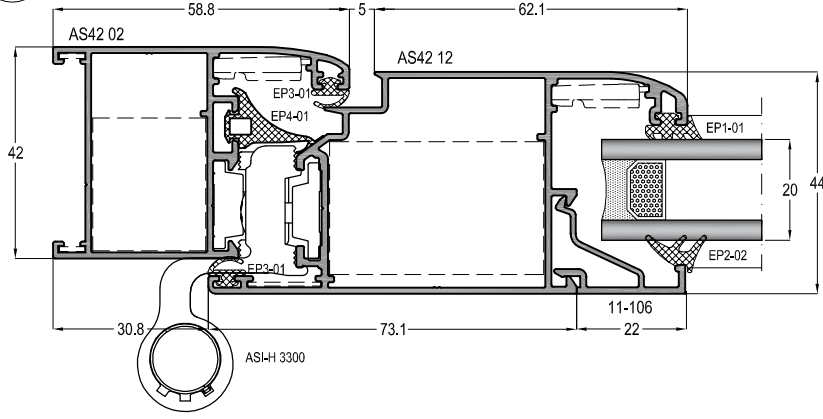
# AS42 - 1,2mm

YALITIMSIZ KAPI-PENCERE SİSTEMİ  
COLD WINDOW&DOOR SYSTEM

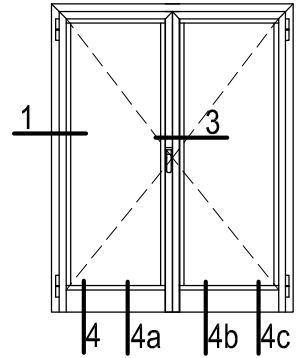
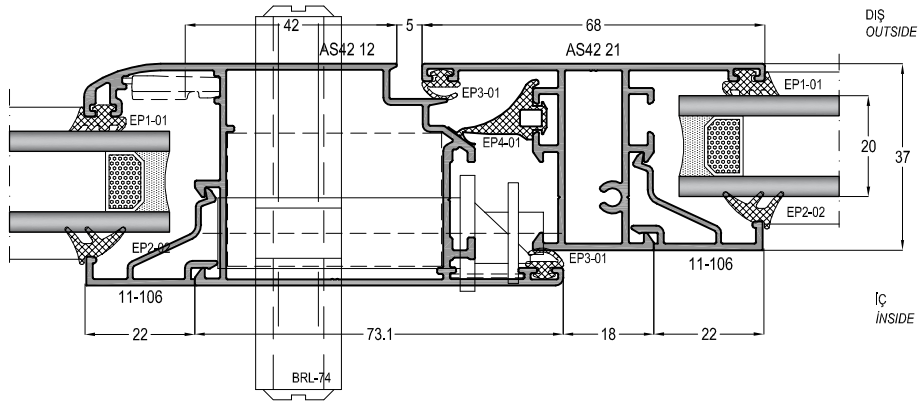


## İÇE AÇILIR KAPI DETAYLARI INNER OPENING DOOR DETAILS

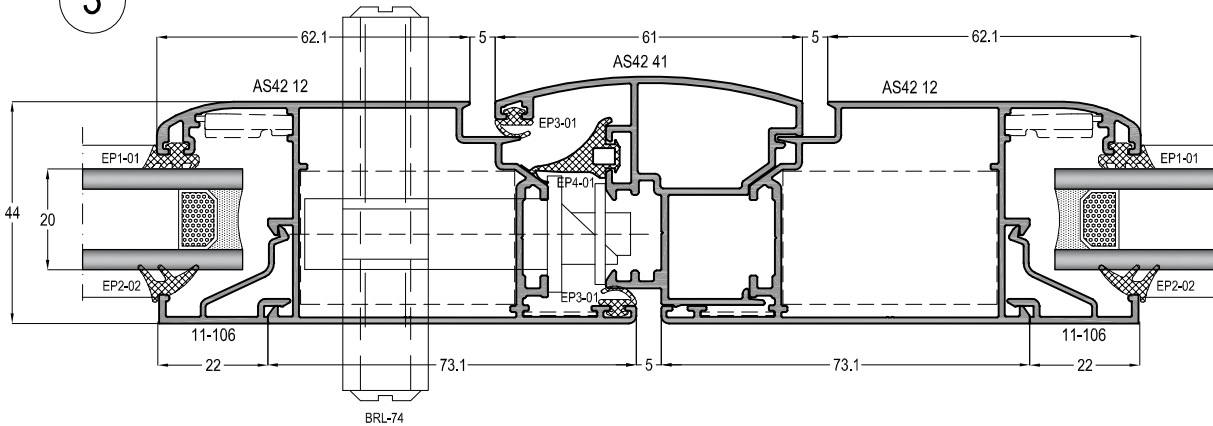
1



2



3

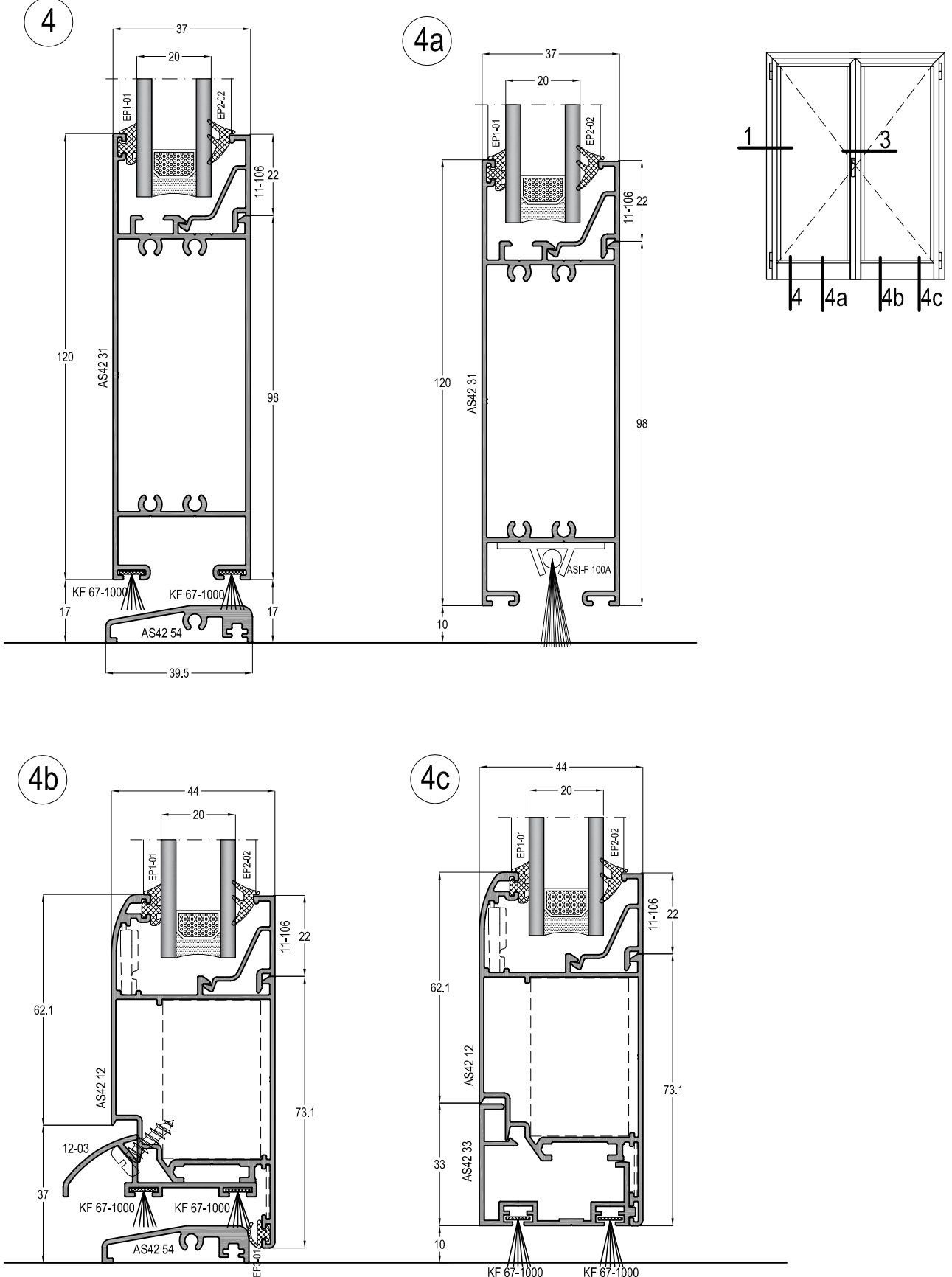


# AS42 - 1,2mm

YALITIMSIZ KAPI-PENCERE SİSTEMİ  
COLD WINDOW&DOOR SYSTEM



## İÇE AÇILIR KAPI DETAYLARI INNER OPENING DOOR DETAILS

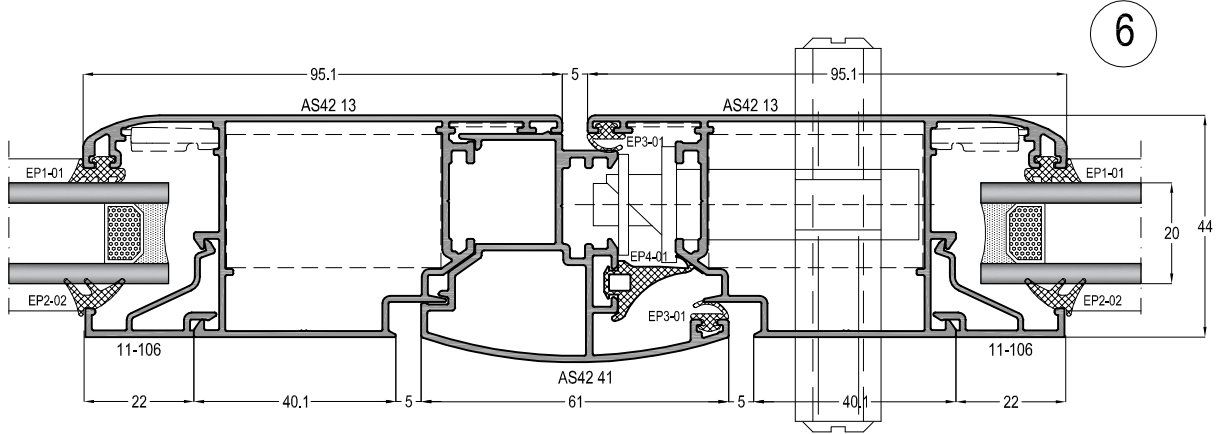
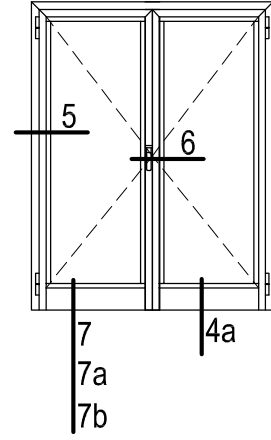
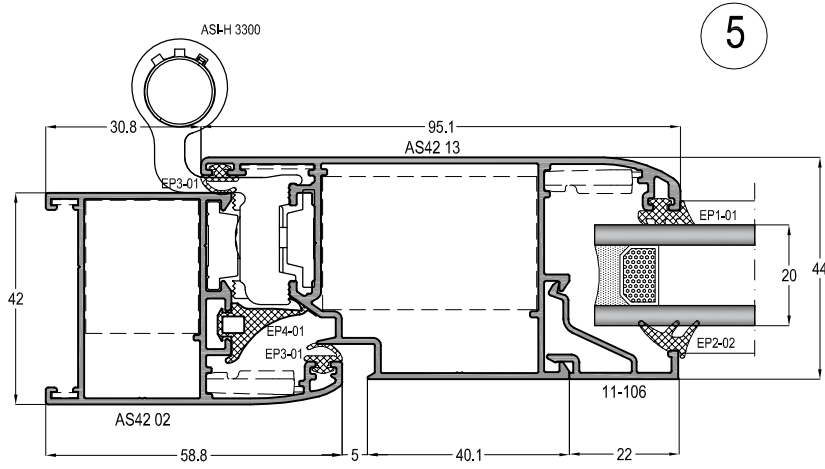


# AS42 - 1,2mm

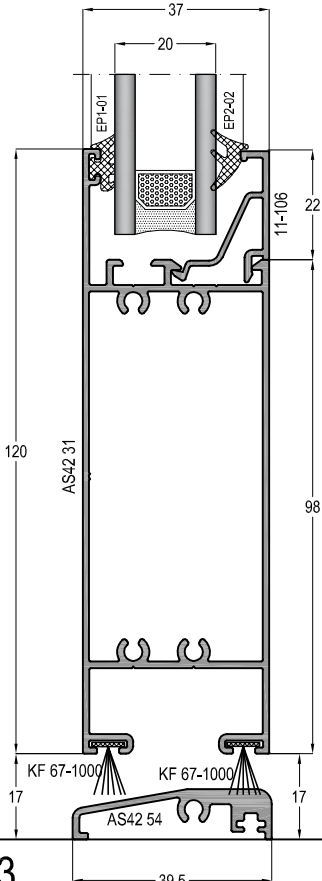
YALITIMSIZ KAPI-PENCERE SİSTEMİ  
COLD WINDOW&DOOR SYSTEM



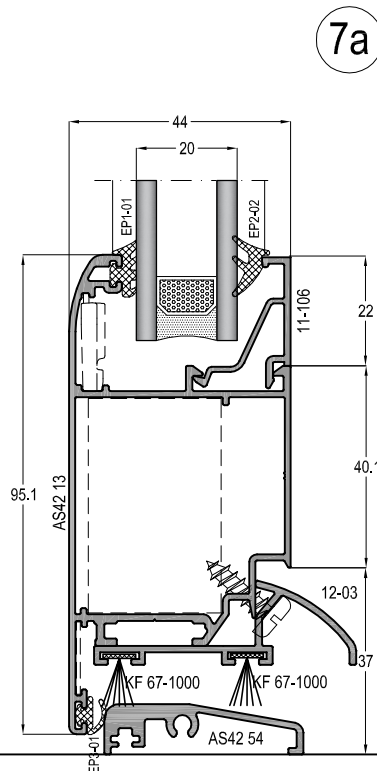
## DIŞA AÇILIR KAPI DETAYLARI OUTER OPENING DOOR DETAILS



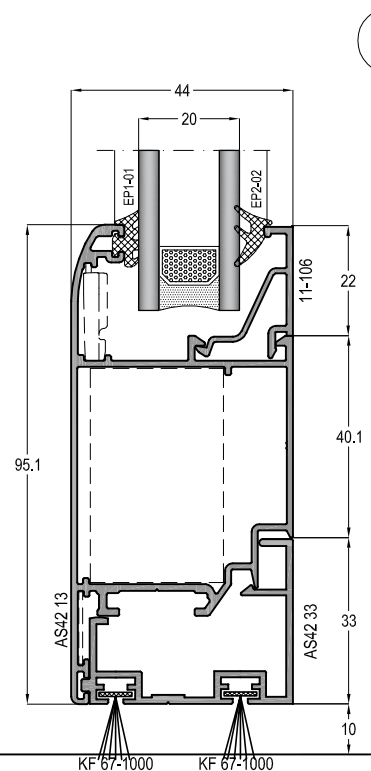
BRL-74



7



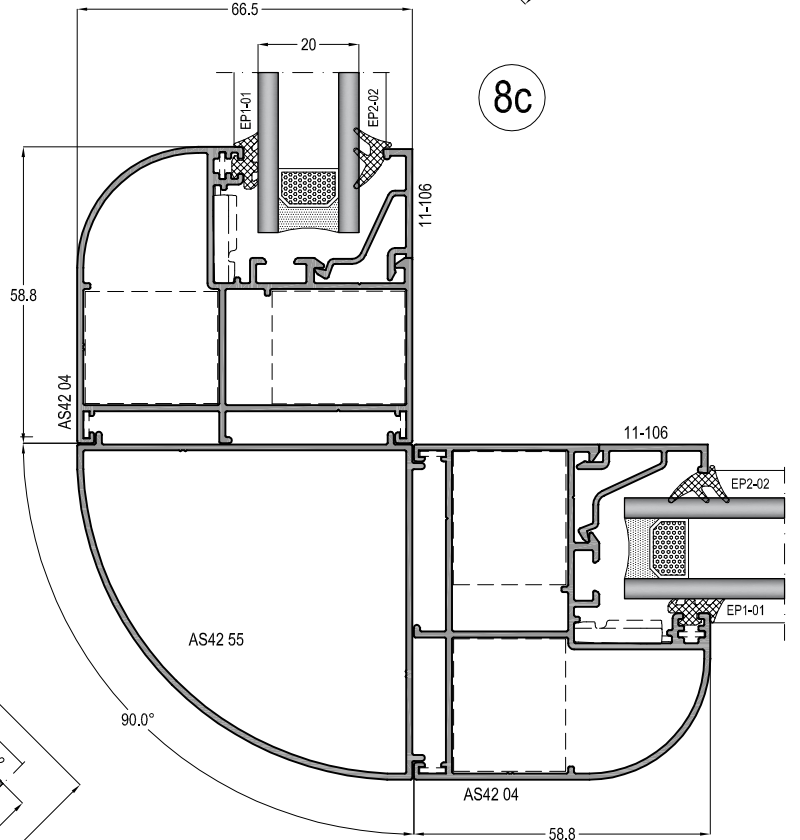
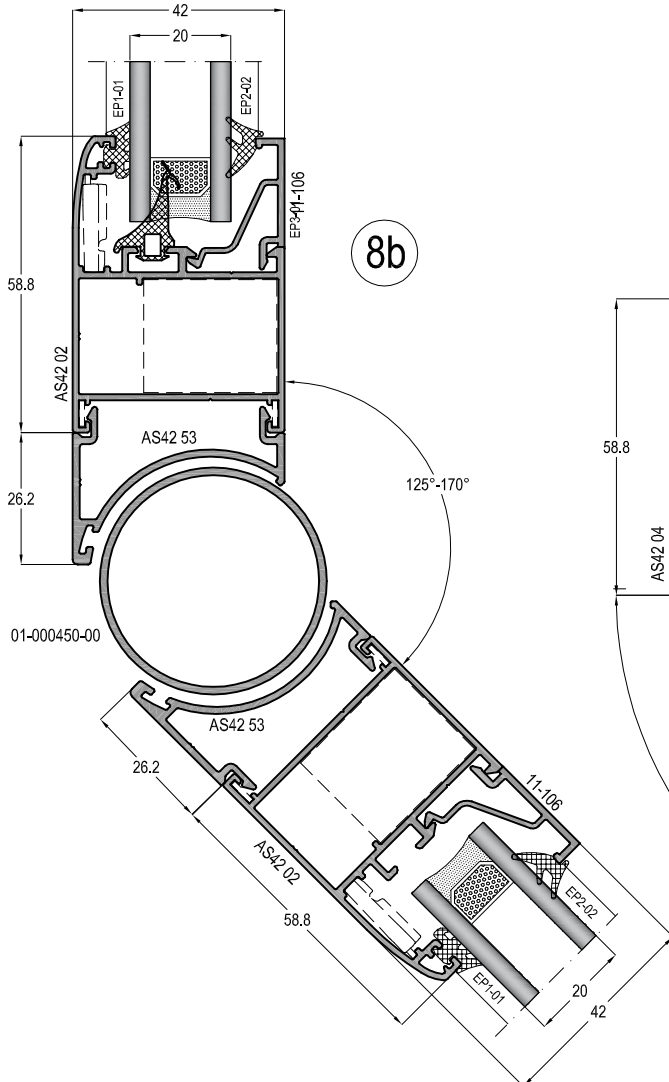
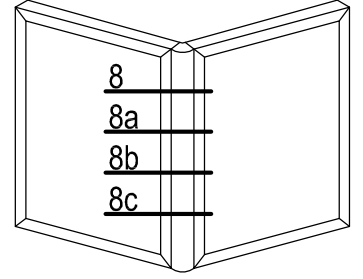
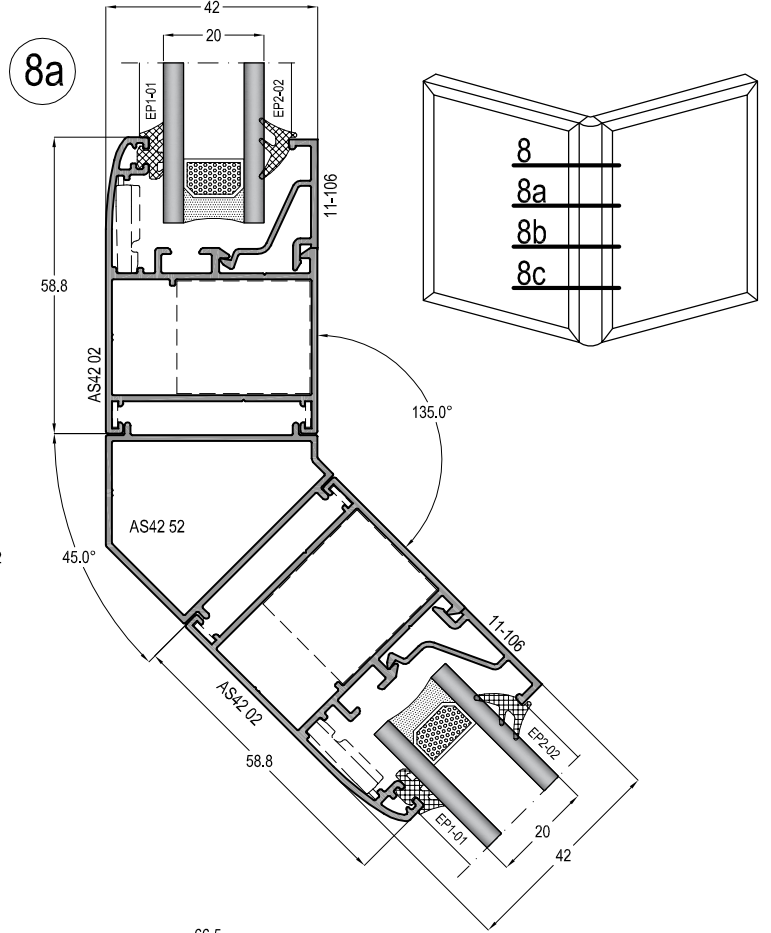
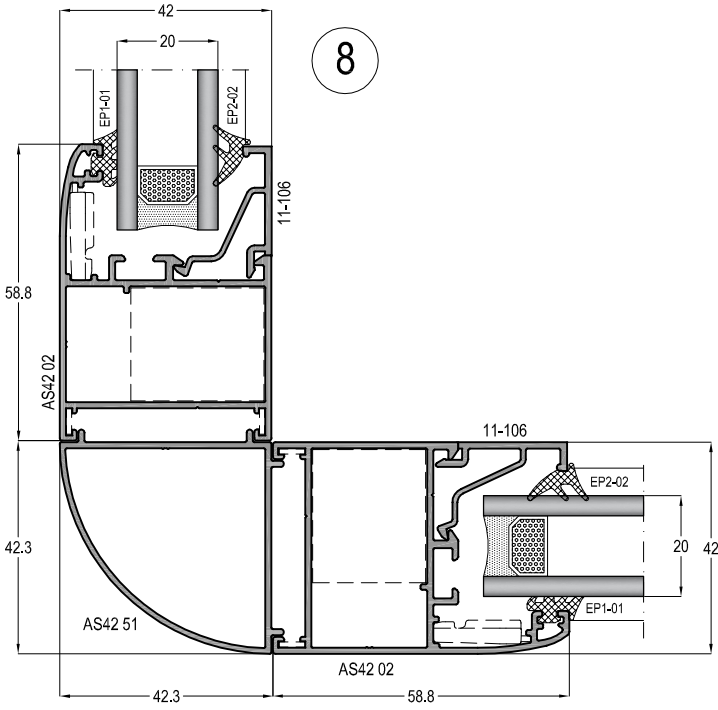
7a



7b

# AS42 - 1,2mm

YALITIMSIZ KAPI-PENCERE SİSTEMİ  
COLD WINDOW&DOOR SYSTEM



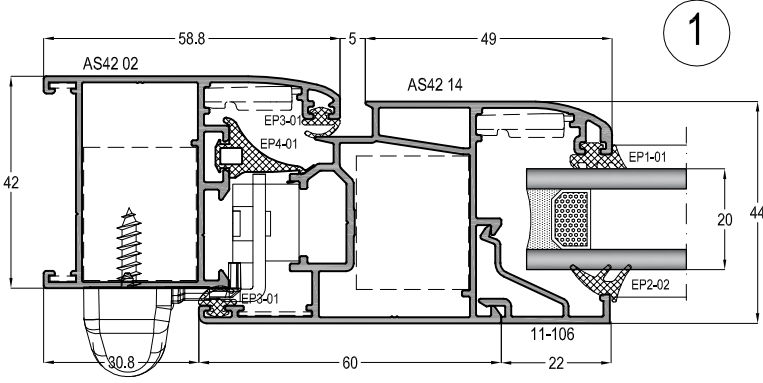
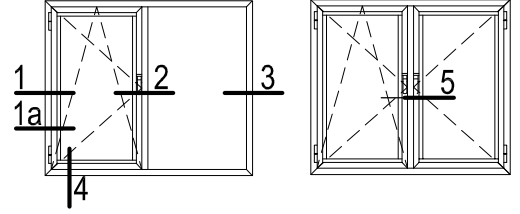
**ÇOK NOKTADAN KİLİTLEME SİSTEM DETAYLARI**  
**(PVC AKSESUAR KANALLI)**  
*MULTI POINT LOCKING SYSTEM DETAILS*

# AS42 - 1,2mm

YALITIMSIZ KAPI-PENCERE SİSTEMİ  
COLD WINDOW&DOOR SYSTEM

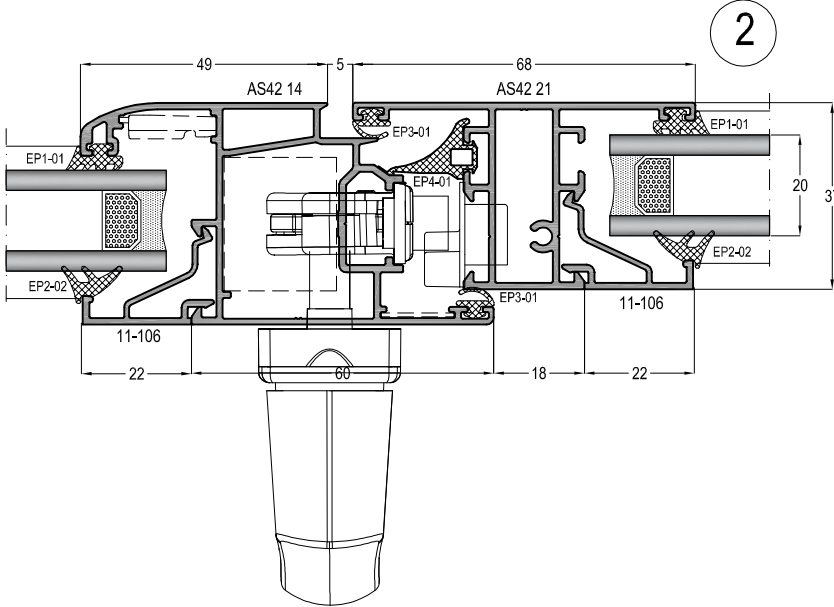


## PENCERE AÇILIM DETAYLARI WINDOW OPENING DETAILS

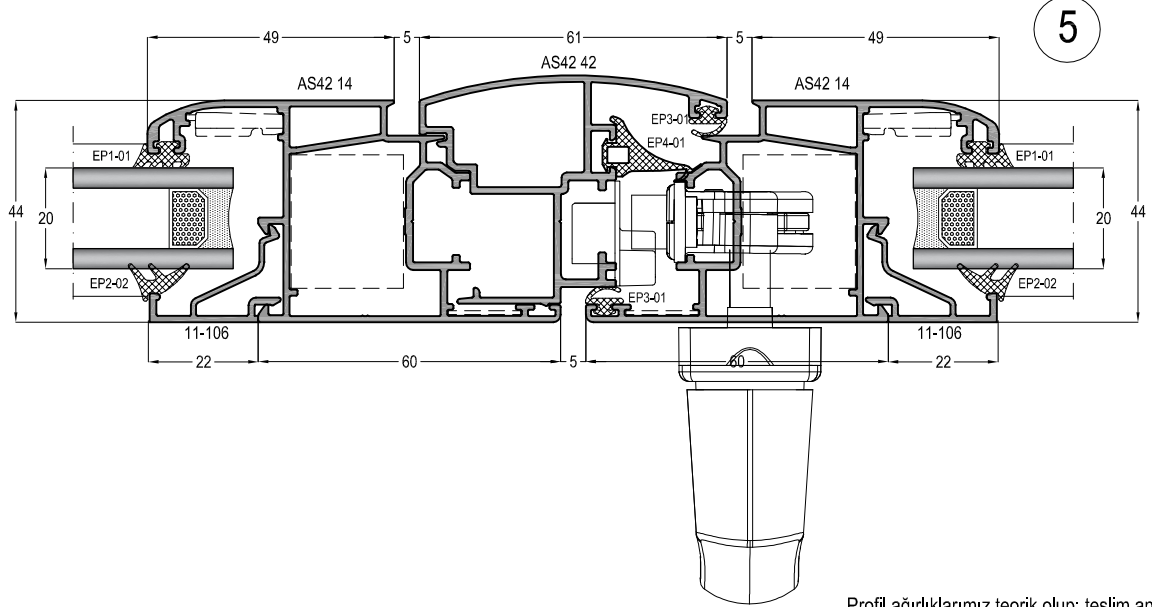
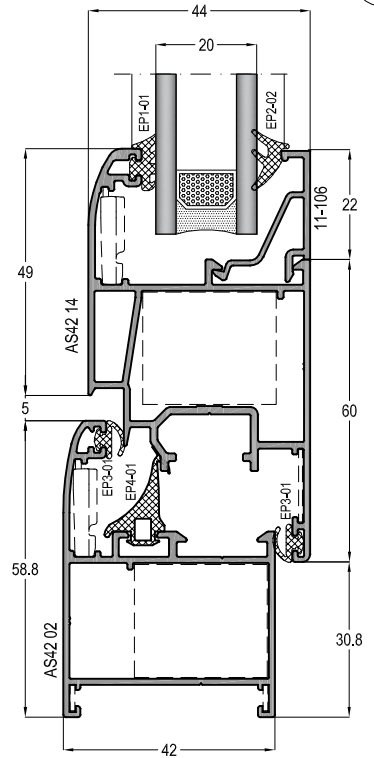


1

4



2



5

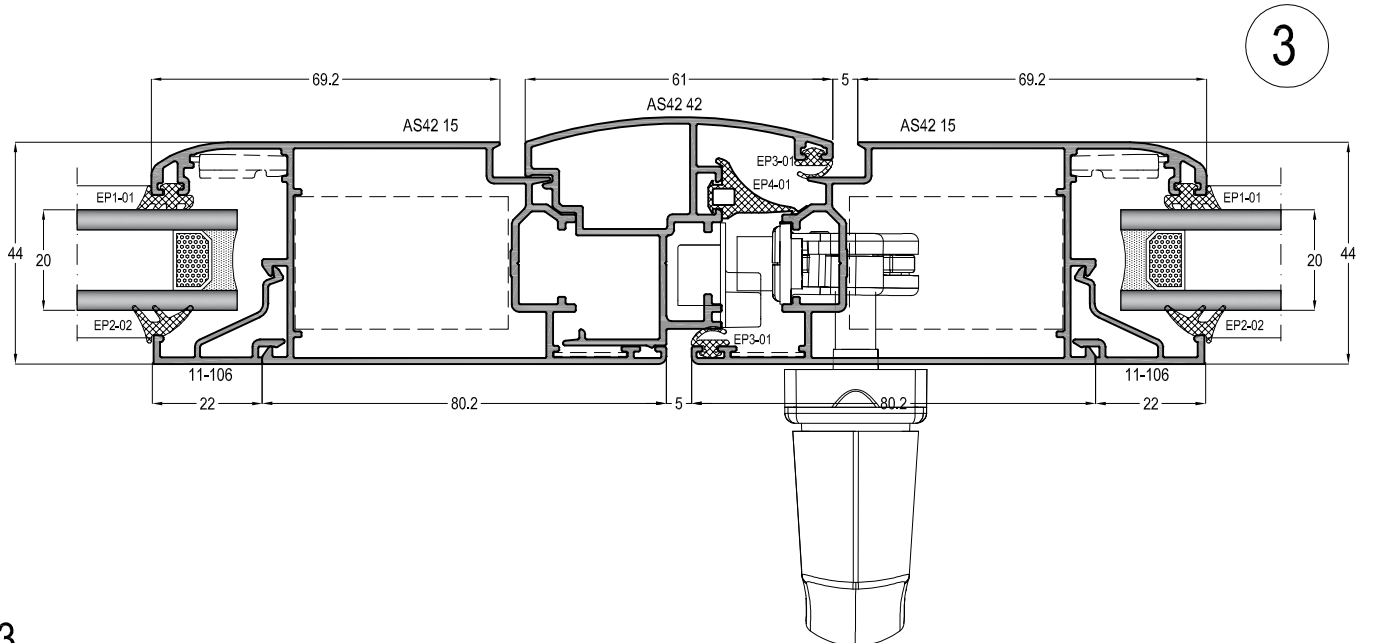
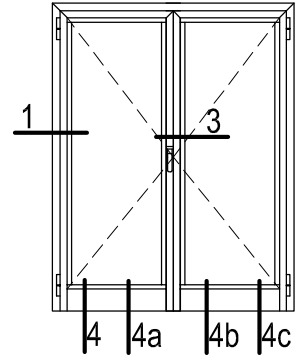
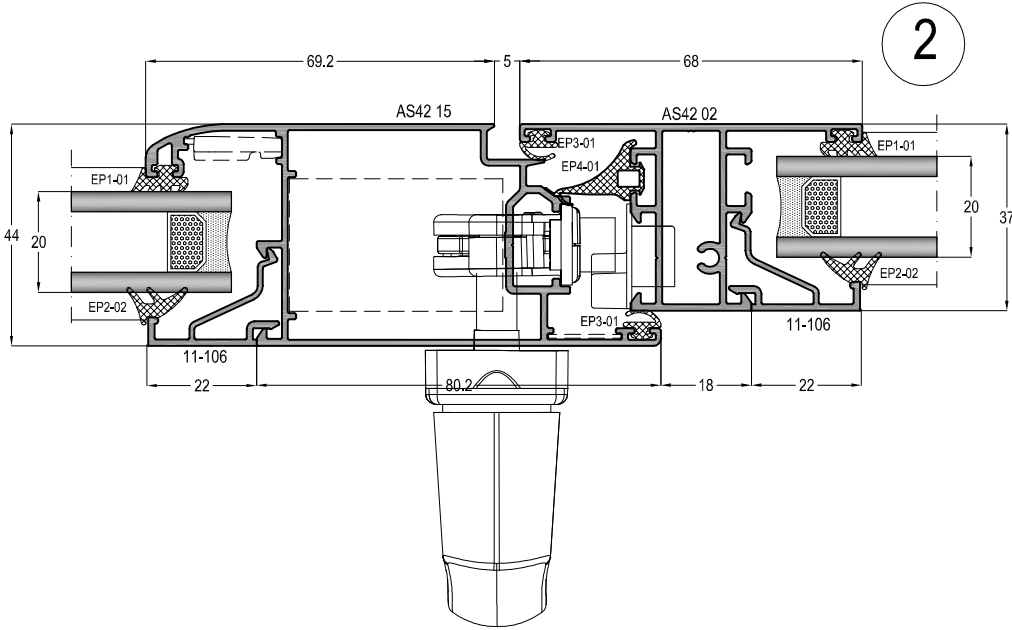
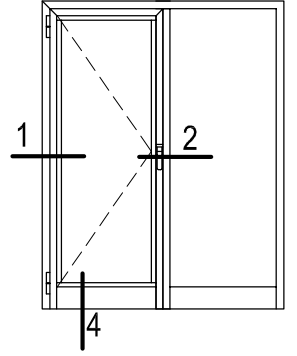
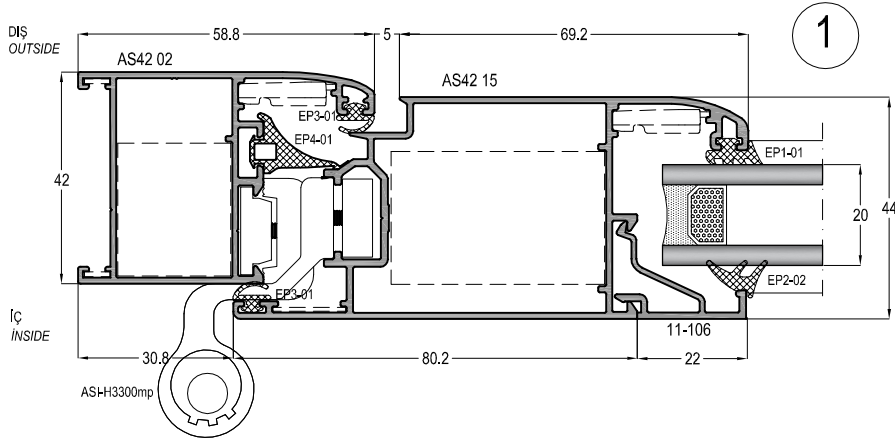


# AS42 - 1,2mm

YALITIMSIZ KAPI-PENCERE SİSTEMİ  
COLD WINDOW&DOOR SYSTEM



## İÇE AÇILIR KAPI DETAYLARI INNER OPENING DOOR DETAILS

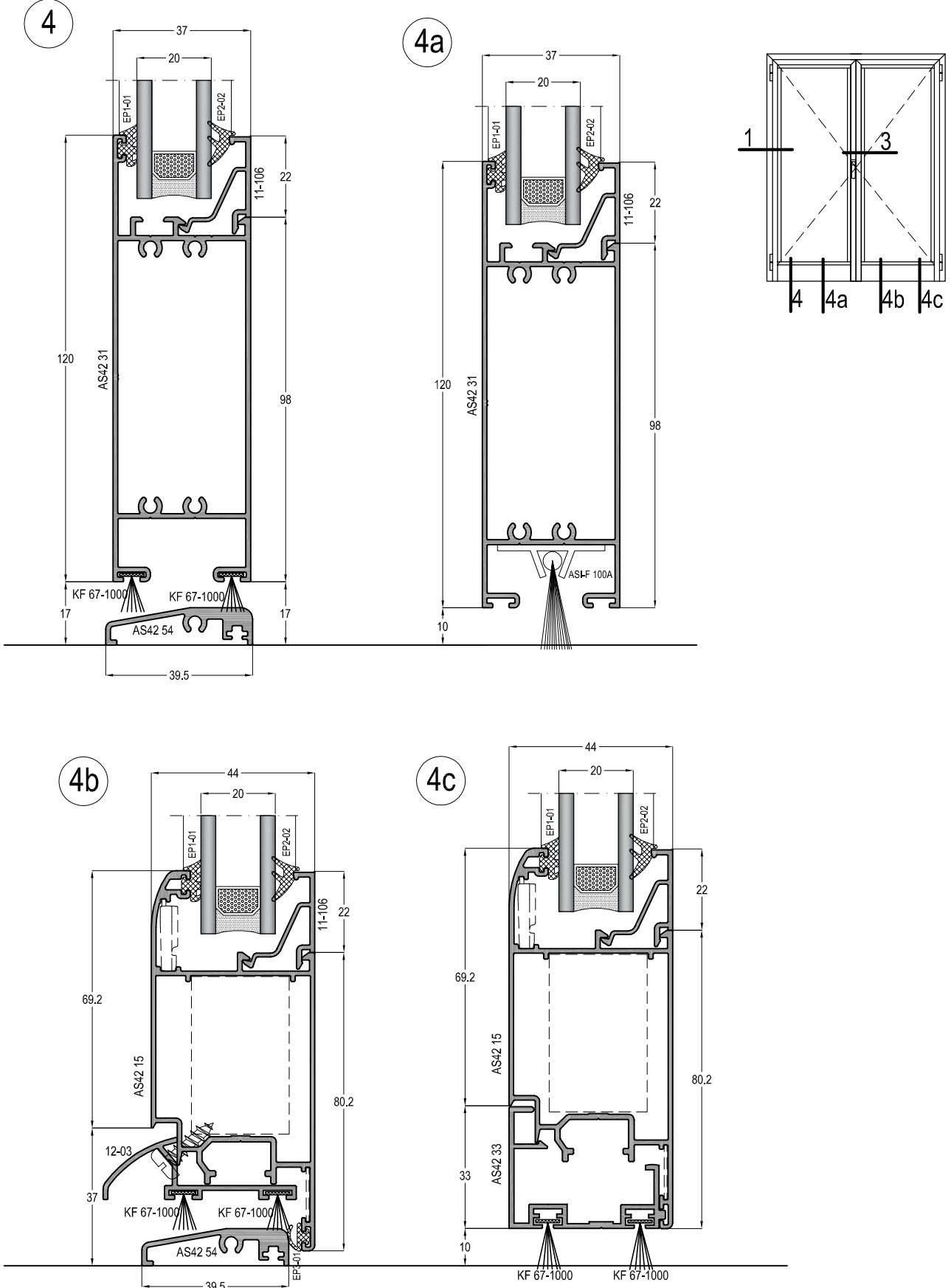


# AS42 - 1,2mm

YALITIMSIZ KAPI-PENCERE SİSTEMİ  
COLD WINDOW&DOOR SYSTEM



## İÇE AÇILIR KAPI DETAYLARI INNER OPENING DOOR DETAILS

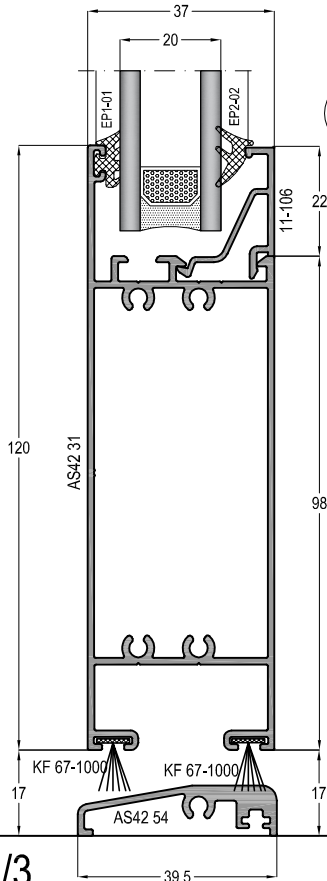
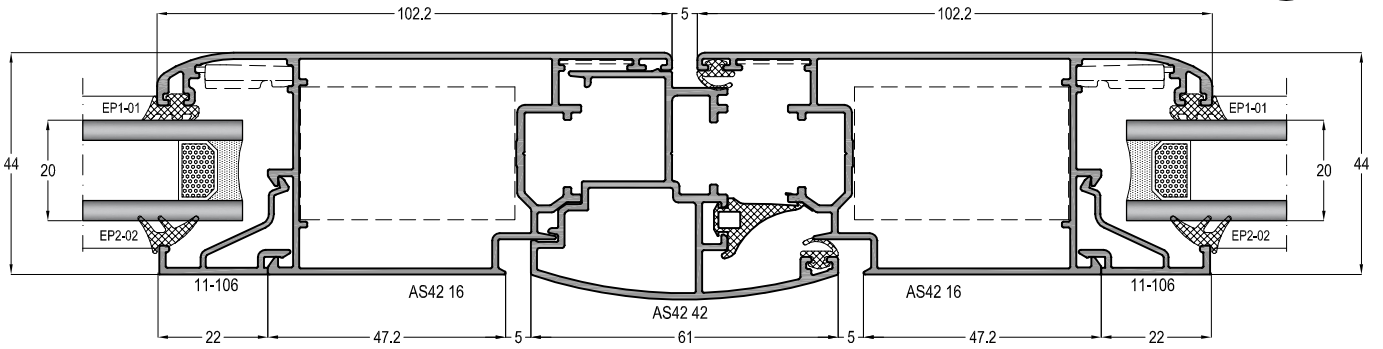
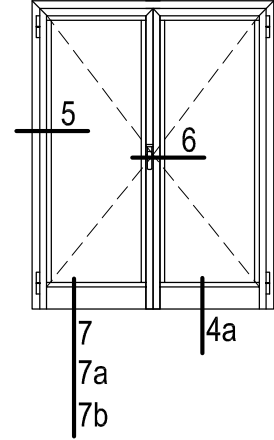
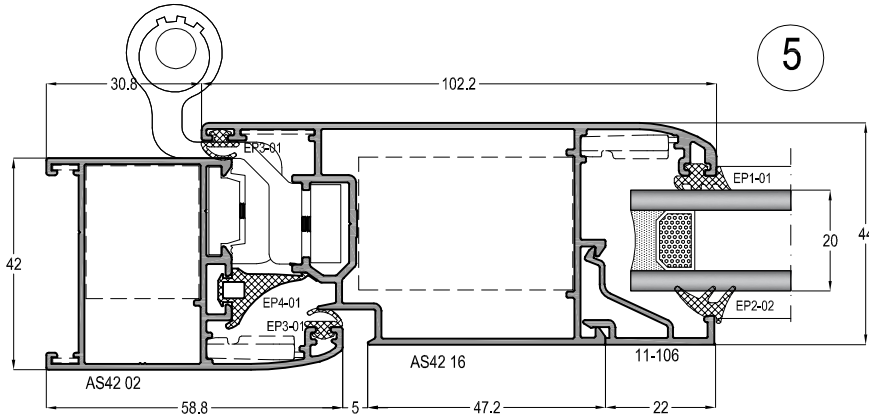


# AS42 - 1,2mm

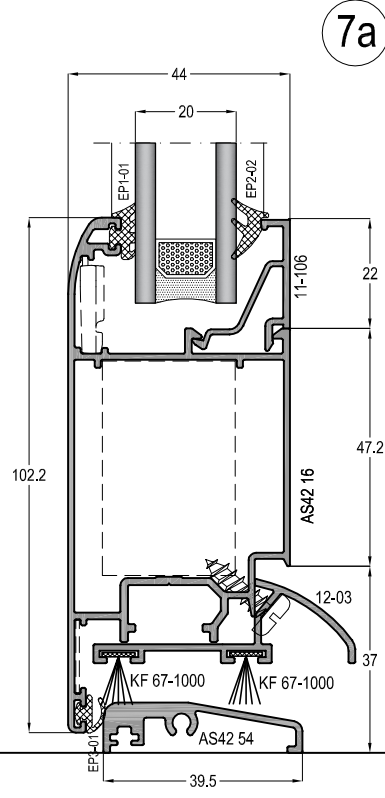
YALITIMSIZ KAPI-PENCERE SİSTEMİ  
COLD WINDOW&DOOR SYSTEM



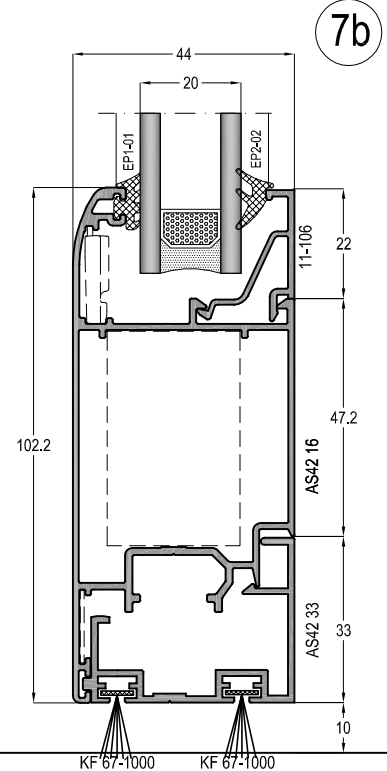
## DIŞA AÇILIR KAPI DETAYLARI OUTER OPENING DOOR DETAILS



7



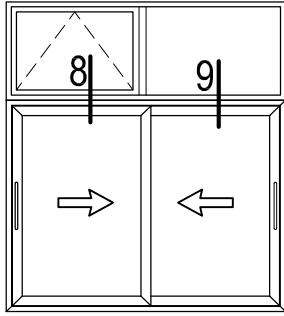
7a



7b

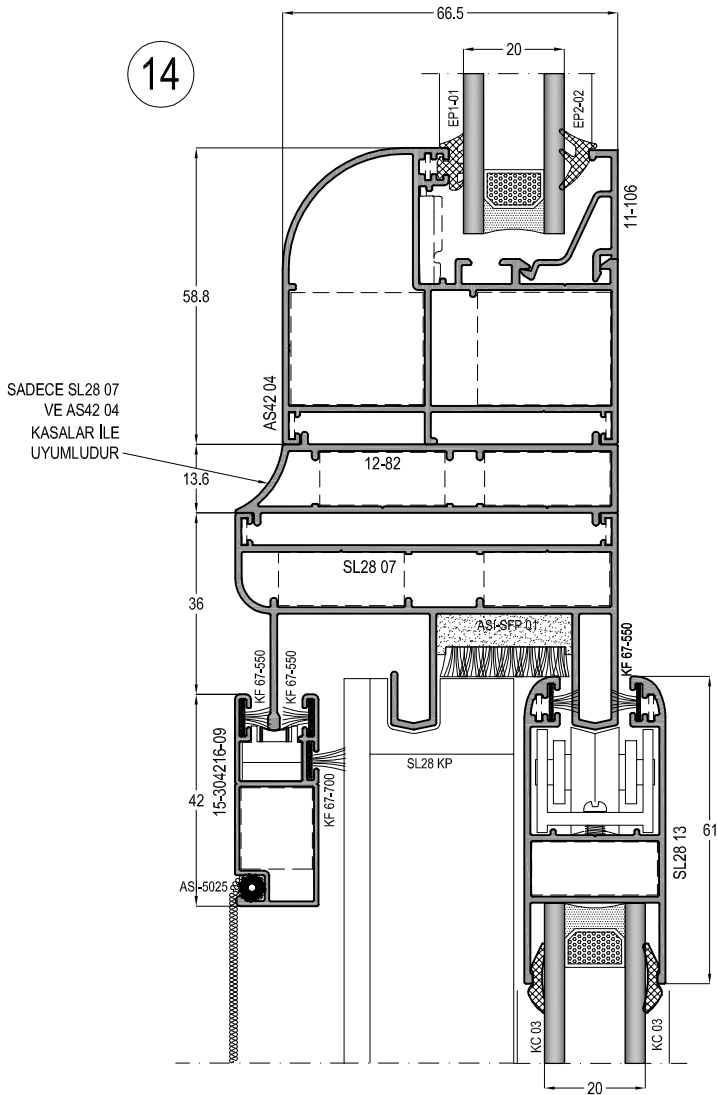
ö: 2/3

Profil ağırlıklarımız teorik olup; teslim anındaki tartımız geçerlidir.

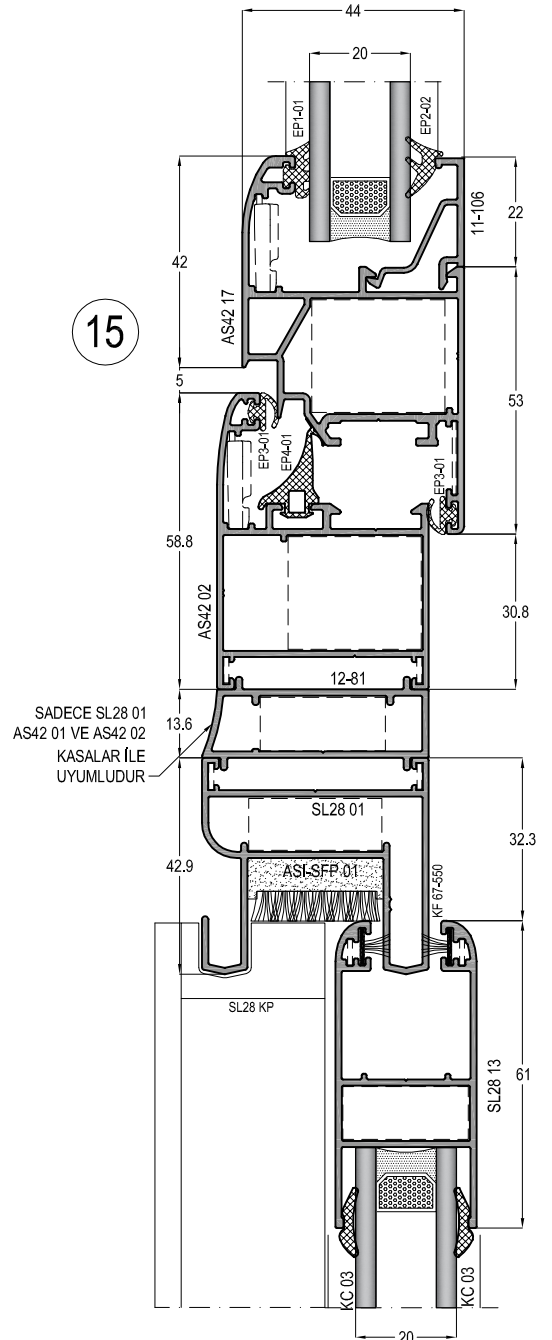


AS42

SL28 SÜRME SİSTEMİ  
SLIDING SYSTEM



SL28 SÜRME SİSTEMİ  
SLIDING SYSTEM



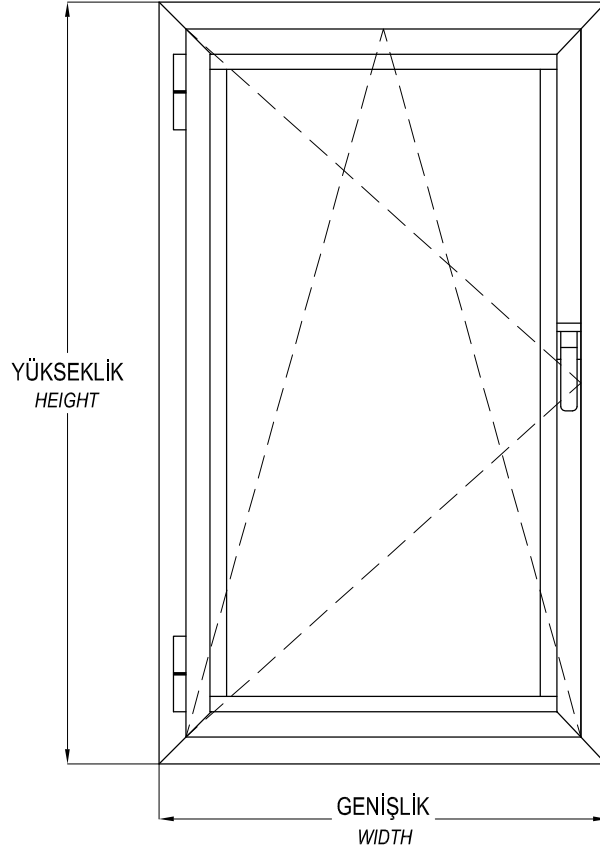
SL28 SÜRME SİSTEMİ  
SLIDING SYSTEM

**AS42 - 1,2mm**

YALITIMSIZ KAPI-PENCERE SİSTEMİ  
COLD WINDOW&DOOR SYSTEM

**ASISTAL**

**KESİM ve MONTAJ**  
*CUTTING & ASSEMBLY*

**MULTI POINT SİSTEM (PVC KANALLI) ÇİFT EKSEN AÇILIM AKSESUAR TABLOSU**  
MULTI POINT SYSTEM TILT&TURN OPENING ACCESSORIES TABLE

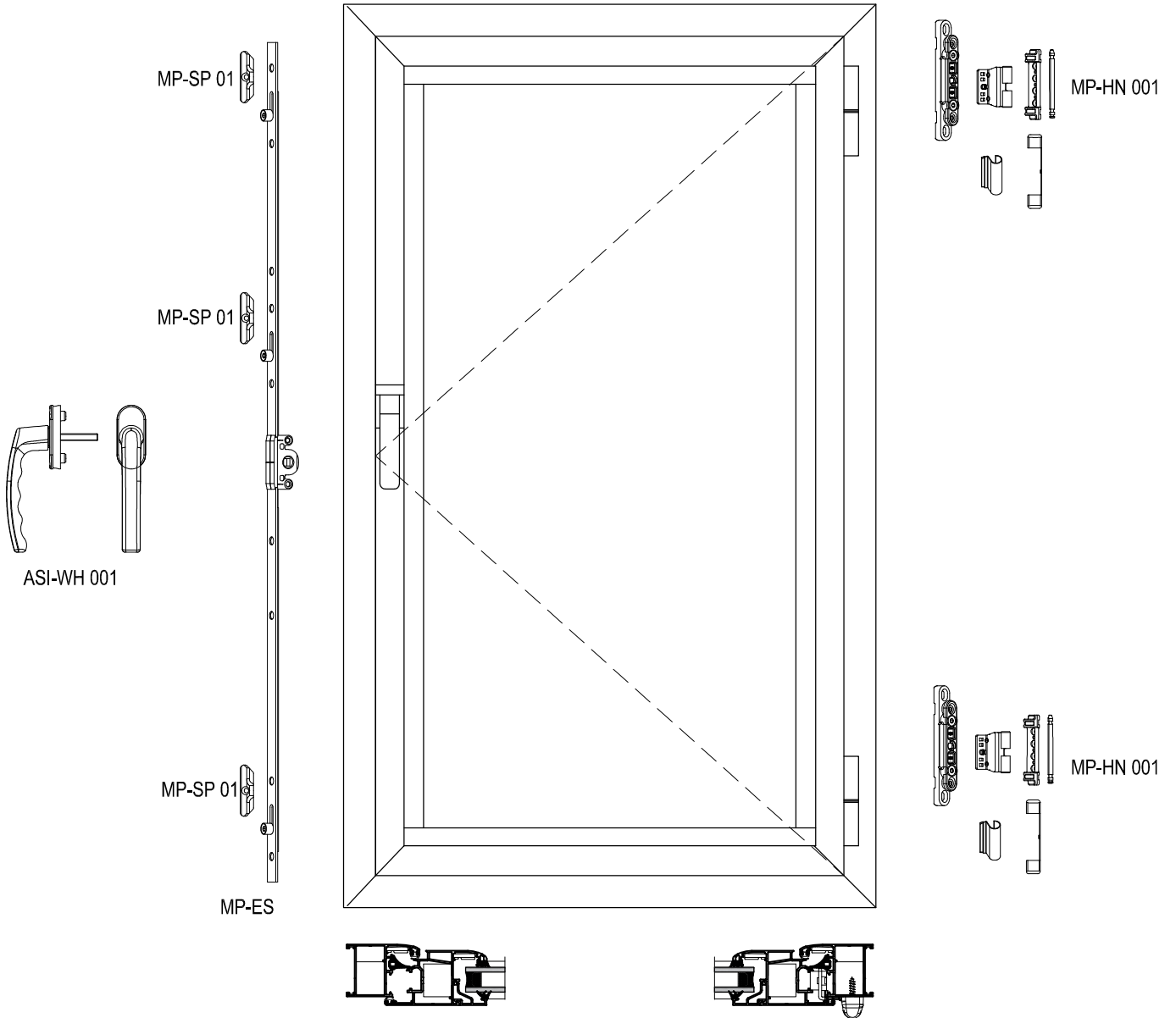
<b>MULTI POINT (PVC KANALLI) KİLİTLEME AKSESUAR SEÇİM TABLOSU</b>					
MULTI POINT SYSTEM ACCESSORIES TABLE					
YÜKSEKLİK- HEIGHT	GENİŞLİK - WIDTH				
		400-600mm	600-850mm	850-1100mm	1100-1350mm
	450-700 mm	ASI-PVC TT 01	ASI-PVC TT 02	ASI-PVC TT 03	ASI-PVC TT 04
	700-1200 mm	ASI-PVC TT 05	ASI-PVC TT 06	ASI-PVC TT 07	ASI-PVC TT 08
	1200-1400 mm	ASI-PVC TT 09	ASI-PVC TT 10	ASI-PVC TT 11	ASI-PVC TT 12
	1400-1700 mm	ASI-PVC TT 013	ASI-PVC TT 14	ASI-PVC TT 15	ASI-PVC TT 16
	1700-2400 mm	ASI-PVC TT 017	ASI-PVC TT 18	ASI-PVC TT 19	ASI-PVC TT 20

**AS42 - 1,2mm**

YALITIMSIZ KAPI-PENCERE SİSTEMİ  
COLD WINDOW&DOOR SYSTEM



**MULTI POINT SİSTEM (PVC KANALLI) TEK EKSEN AÇILIM AKSESUARLARI**  
MULTI POINT SYSTEM SINGLE OPENING ACCESSORIES



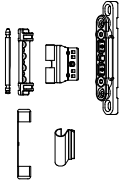
# AS42 - 1,2mm

YALITIMSIZ KAPI-PENCERE SİSTEMİ  
COLD WINDOW&DOOR SYSTEM

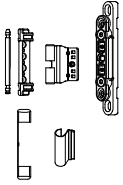


## MULTI POINT SİSTEM (PVC KANALLI) TEK KANAT AÇILIM KAPI AKSESUARLARI MULTI POINT SYSTEM INNER / OUTER OPENING DOOR ACCESSORIES

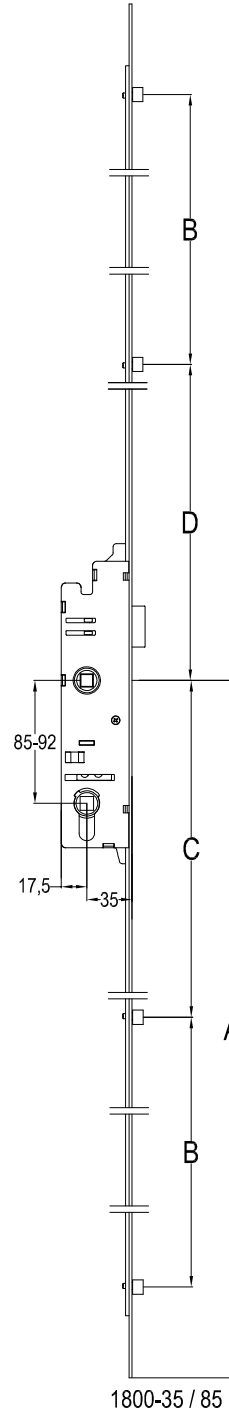
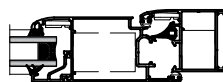
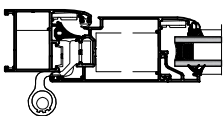
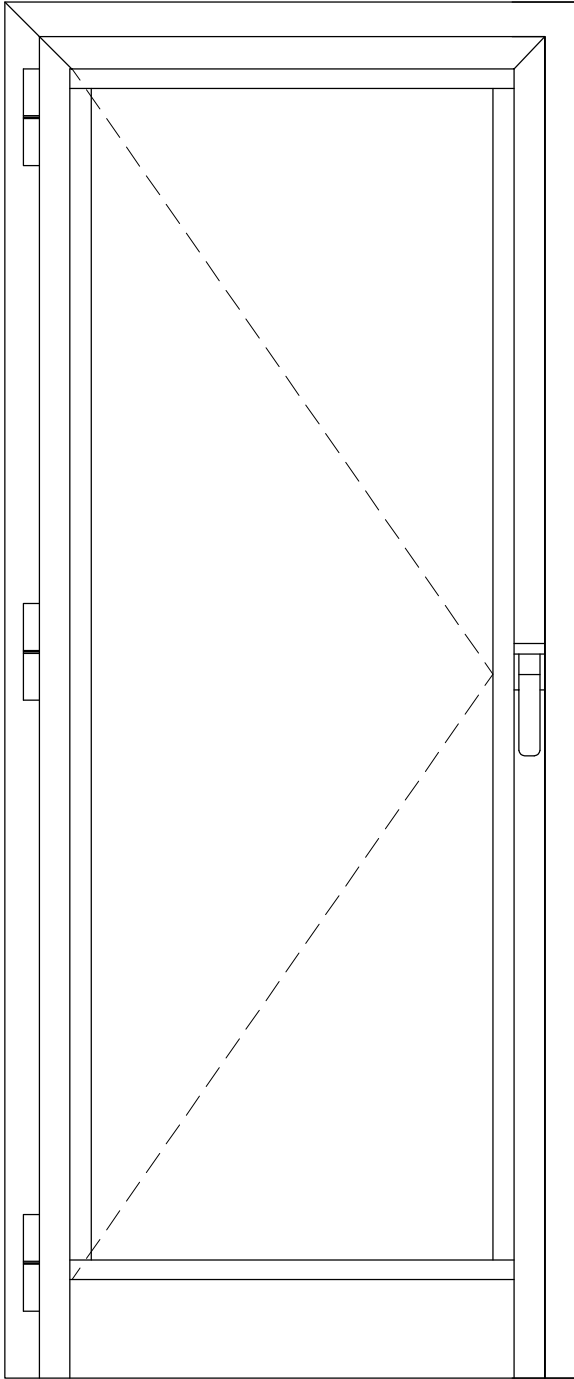
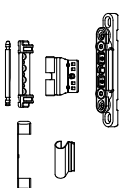
MP-HN 002



MP-HN 002



MP-HN 002



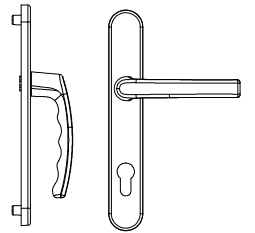
MP-SP 01

MP-SP 01

MP-SP 02  
ASI-BRL 74

MP-SP 01

MP-SP 01



ASI-DH 001

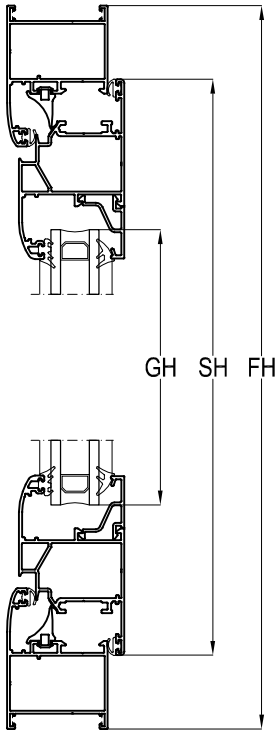
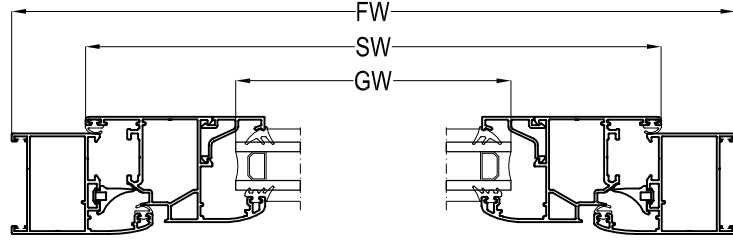
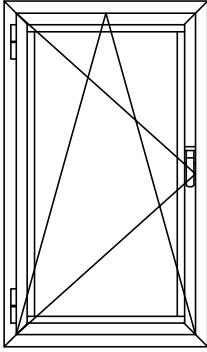


# AS42 - 1,2mm

YALITIMSIZ KAPI-PENCERE SİSTEMİ  
COLD WINDOW&DOOR SYSTEM

## ASISTAL

### TEK KANAT AÇILIM KESİM ÖLÇÜLERİ SINGLE SASH CUTTING SIZES



KASA PROFİLİ FRAME PROFILE	KANAT PROFİLİ SASH PROFILE	KESİM ÖLÇÜLERİ CUTTING SIZES
AS42 01	AS42 11	SW = FW - 37,6mm GW = SW - 92mm  SH = FH - 37,6mm GH = SH - 92mm
AS42 01	AS42 17	SW = FW - 37,6mm GW = SW - 116mm  SH = FH - 37,6mm GH = SH - 116mm
AS42 01	AS42 12 AS42 13	SW = FW - 37,6mm GW = SW - 156,2mm  SH = FH - 37,6mm GH = SH - 156,2mm
AS42 02 AS42 04 AS42 07 AS42 08	AS42 11	SW = FW - 61,6mm GW = SW - 92mm  SH = FH - 61,6mm GH = SH - 92mm
AS42 02 AS42 04 AS42 07 AS42 08	AS42 17	SW = FW - 61,6mm GW = SW - 116mm  SH = FH - 61,6mm GH = SH - 116mm
AS42 02 AS42 04 AS42 07 AS42 08	AS42 12 AS42 13	SW = FW - 61,6mm GW = SW - 156,2mm  SH = FH - 61,6mm GH = SH - 156,2mm

FW= KASA GENİŞLİĞİ / FRAME WIDTH  
SW= KANAT GENİŞLİĞİ / SASH WIDTH  
GW= CAM GENİŞLİĞİ / GLASS WIDTH

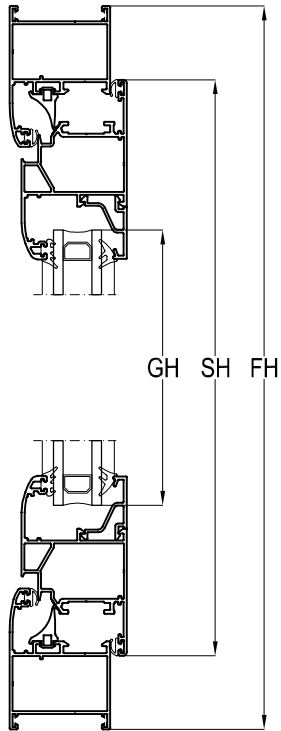
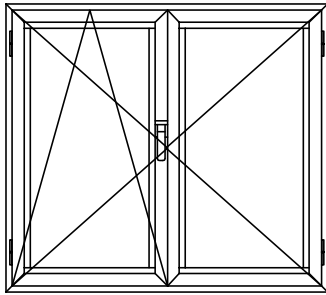
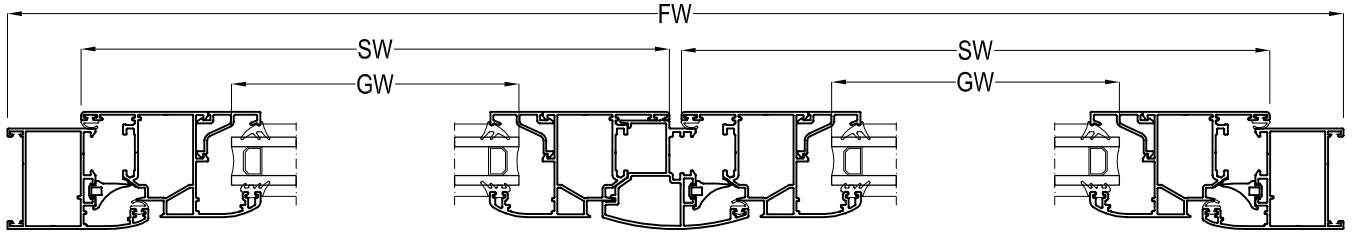
FH= KASA YÜKSEKLİĞİ / FRAME HEIGHT  
SH= KANAT YÜKSEKLİĞİ / SASH HEIGHT  
GH= CAM YÜKSEKLİĞİ / GLASS HEIGHT

# AS42 - 1,2mm

YALITIMSIZ KAPI-PENCERE SİSTEMİ  
COLD WINDOW&DOOR SYSTEM

## ASISTAL

### ÇİFT KANAT AÇILIM KESİM ÖLÇÜLERİ DOUBLE SASH CUTTING SIZES



ADAPTÖR PROFİLİ  
AS42 41 = SH - 66mm

KASA PROFİLİ FRAME PROFILE	KANAT PROFİLİ SASH PROFILE	KESİM ÖLÇÜLERİ CUTTING SIZES
AS42 01	AS42 11	SW = FW / 2 - 21,3mm GW = SW - 92mm SH = FH - 37,6mm GH = SH - 92mm
AS42 01	AS42 17	SW = FW / 2 - 21,3mm GW = SW - 116mm SH = FH - 37,6mm GH = SH - 116mm
AS42 01	AS42 12 AS42 13	SW = FW / 2 - 21,3mm GW = SW - 156,2mm SH = FH - 37,6mm GH = SH - 156,2mm
AS42 02 AS42 04 AS42 07 AS42 08	AS42 11	SW = FW / 2 - 33,3mm GW = SW - 92mm SH = FH - 61,6mm GH = SH - 92mm
AS42 02 AS42 04 AS42 07 AS42 08	AS42 17	SW = FW / 2 - 33,3mm GW = SW - 116mm SH = FH - 61,6mm GH = SH - 116mm
AS42 02 AS42 04 AS42 07 AS42 08	AS42 12 AS42 13	SW = FW / 2 - 33,3mm GW = SW - 156,2mm SH = FH - 61,6mm GH = SH - 156,2mm

FW= KASA GENİŞLİĞİ / FRAME WIDTH  
SW= KANAT GENİŞLİĞİ / SASH WIDTH  
GW= CAM GENİŞLİĞİ / GLASS WIDTH

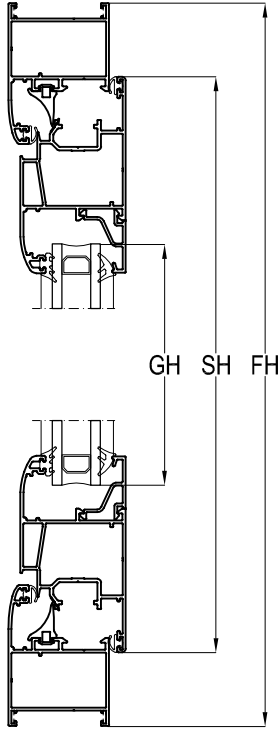
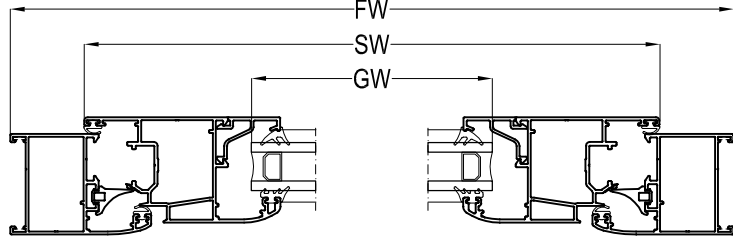
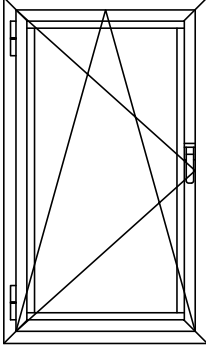
FH= KASA YÜKSEKLİĞİ / FRAME HEIGHT  
SH= KANAT YÜKSEKLİĞİ / SASH HEIGHT  
GH= CAM YÜKSEKLİĞİ / GLASS HEIGHT

# AS42 - 1,2mm

YALITIMSIZ KAPI-PENCERE SİSTEMİ  
COLD WINDOW&DOOR SYSTEM

## ASISTAL

### MULTI POINT (PVC KANALLI) TEK KANAT AÇILIM KESİM ÖLÇÜLERİ MULTI POINT SINGLE SASH CUTTING SIZES



KASA PROFİLİ FRAME PROFILE	KANAT PROFİLİ SASH PROFILE	KESİM ÖLÇÜLERİ CUTTING SIZES
AS42 01	AS42 14	SW = FW - 37,6mm GW = SW - 130mm SH = FH - 37,6mm GH = SH - 130mm
AS42 01	AS42 15 AS42 16	SW = FW - 37,6mm GW = SW - 170,4mm SH = FH - 37,6mm GH = SH - 170,4mm
AS42 02 AS42 04 AS42 07 AS42 08	AS42 14	SW = FW - 61,6mm GW = SW - 130mm SH = FH - 61,6mm GH = SH - 130mm
AS42 02 AS42 04 AS42 07 AS42 08	AS42 15 AS42 16	SW = FW - 61,6mm GW = SW - 170,4mm SH = FH - 61,6mm GH = SH - 170,4mm

FW= KASA GENİŞLİĞİ / FRAME WIDTH  
SW= KANAT GENİŞLİĞİ / SASH WIDTH  
GW= CAM GENİŞLİĞİ / GLASS WIDTH

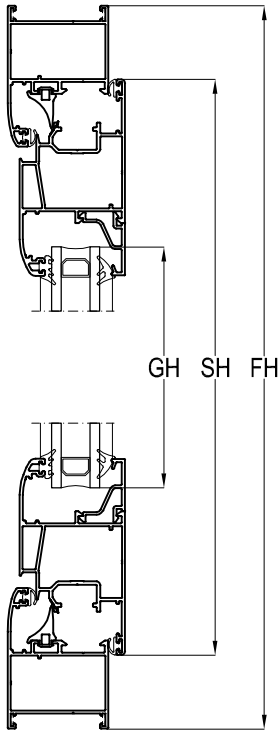
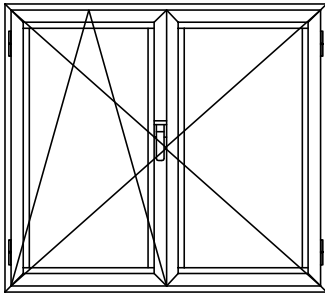
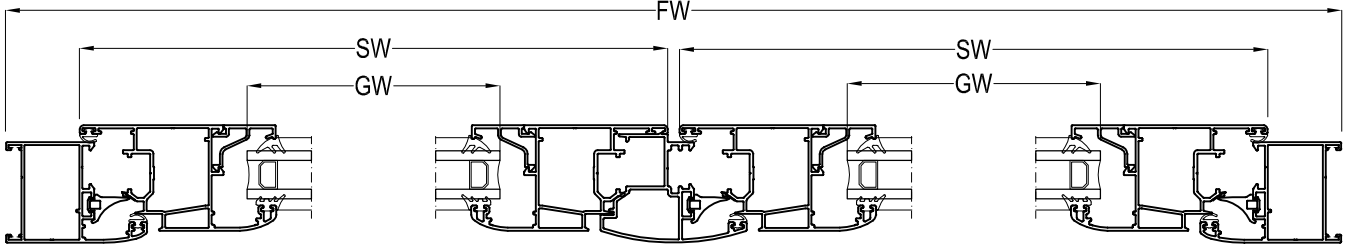
FH= KASA YÜKSEKLİĞİ / FRAME HEIGHT  
SH= KANAT YÜKSEKLİĞİ / SASH HEIGHT  
GH= CAM YÜKSEKLİĞİ / GLASS HEIGHT

# AS42 - 1,2mm

YALITIMSIZ KAPI-PENCERE SİSTEMİ  
COLD WINDOW&DOOR SYSTEM



## MULTI POINT (PVC KANALLI) ÇİFT KANAT AÇILIM KESİM ÖLÇÜLERİ MULTI POINT DOUBLE SASH CUTTING SIZES



ADAPTÖR PROFİLİ  
AS42 42 = SH - 66mm

KASA PROFİLİ FRAME PROFILE	KANAT PROFİLİ SASH PROFILE	KESİM ÖLÇÜLERİ CUTTING SIZES
AS42 01	AS42 14	SW = FW / 2 - 21,3mm GW = SW - 130mm SH = FH - 37,6mm GH = SH - 130mm
AS42 01	AS42 15 AS42 16	SW = FW / 2 - 21,3mm GW = SW - 170,4mm SH = FH - 37,6mm GH = SH - 170,4mm
AS42 02 AS42 04 AS42 07 AS42 08	AS42 14	SW = FW / 2 - 33,3mm GW = SW - 130mm SH = FH - 61,6mm GH = SH - 130mm
AS42 02 AS42 04 AS42 07 AS42 08	AS42 15 AS42 16	SW = FW / 2 - 33,3mm GW = SW - 170,4mm SH = FH - 61,6mm GH = SH - 170,4mm

FW= KASA GENİŞLİĞİ / FRAME WIDTH  
SW= KANAT GENİŞLİĞİ / SASH WIDTH  
GW= CAM GENİŞLİĞİ / GLASS WIDTH

FH= KASA YÜKSEKLİĞİ / FRAME HEIGHT  
SH= KANAT YÜKSEKLİĞİ / SASH HEIGHT  
GH= CAM YÜKSEKLİĞİ / GLASS HEIGHT