

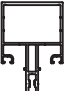

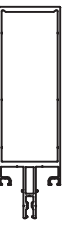

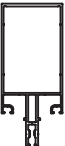
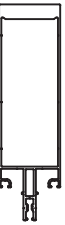

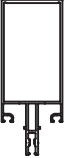
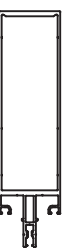




**PROFİL VE AKSESUAR LİSTELERİ**  
PROFILE & ACCESSORIES LIST

ALIASIS  
ASIS  
ISITAN







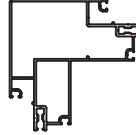




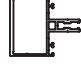


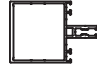
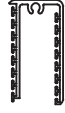

## PROFİL LİSTESİ - PROFILES LIST

FC50-011-16	Jx cm <sup>4</sup>	Jy cm <sup>4</sup>		FC50-016-17	Jx cm <sup>4</sup>	Jy cm <sup>4</sup>	
	13,15	10,10			300,08	33,28	
DÜŞEY PROFİL - 30mm MULLION PROFILE - 30mm	AĞIRLIK / Weight			DÜŞEY PROFİL - 140mm MULLION PROFILE - 140mm	AĞIRLIK / Weight		
	1,337 kg/mt				2,561 kg/mt		
FC50-012-16	Jx cm <sup>4</sup>	Jy cm <sup>4</sup>					
	29,42	13,94					
DÜŞEY PROFİL - 50mm MULLION PROFILE - 50mm	AĞIRLIK / Weight				AĞIRLIK / Weight		
	1,523 kg/mt						
FC50-013-16	Jx cm <sup>4</sup>	Jy cm <sup>4</sup>		FC50-018-20	Jx cm <sup>4</sup>	Jy cm <sup>4</sup>	
	74,95	19,63			368,44	40,50	
DÜŞEY PROFİL - 80mm MULLION PROFILE - 80mm	AĞIRLIK / Weight			DÜŞEY PROFİL - 146mm MULLION PROFILE - 146mm	AĞIRLIK / Weight		
	1,795 kg/mt				3,135 kg/mt		
FC50-113-16	Jx cm <sup>4</sup>	Jy cm <sup>4</sup>					
	77,27	21,56					
DÜŞEY PROFİL - 80mm 1,9mm MULLION PROFILE - 80mm	AĞIRLIK / Weight				AĞIRLIK / Weight		
	1,892 kg/mt						
FC50-010-16	Jx cm <sup>4</sup>	Jy cm <sup>4</sup>		FC50-017-18	Jx cm <sup>4</sup>	Jy cm <sup>4</sup>	
	96,19	21,50			522,65	43,62	
DÜŞEY PROFİL - 90mm MULLION PROFILE - 90mm	AĞIRLIK / Weight			DÜŞEY PROFİL - 150mm MULLION PROFILE - 150mm	AĞIRLIK / Weight		
	1,882 kg/mt				3,782 kg/mt		
FC50-014-16	Jx cm <sup>4</sup>	Jy cm <sup>4</sup>					
	120,82	23,38					
DÜŞEY PROFİL - 100mm MULLION PROFILE - 100mm	AĞIRLIK / Weight				AĞIRLIK / Weight		
	1,969 kg/mt						
FC50-114-16	Jx cm <sup>4</sup>	Jy cm <sup>4</sup>		FC50-019-20	Jx cm <sup>4</sup>	Jy cm <sup>4</sup>	
	125,29	25,96			497,91	45,11	
DÜŞEY PROFİL - 100mm 1,9mm MULLION PROFILE - 100mm	AĞIRLIK / Weight			DÜŞEY PROFİL - 166mm MULLION PROFILE - 166mm	AĞIRLIK / Weight		
	2,098 kg/mt				3,352 kg/mt		
FC50-015-17	Jx cm <sup>4</sup>	Jy cm <sup>4</sup>					
	209,67	29,23					
DÜŞEY PROFİL - 120mm MULLION PROFILE - 120mm	AĞIRLIK / Weight				AĞIRLIK / Weight		
	2,348 kg/mt						
FC50-115-17	Jx cm <sup>4</sup>	Jy cm <sup>4</sup>					
	213,92	30,80					
DÜŞEY PROFİL - 120mm 1,9mm MULLION PROFILE - 120mm	AĞIRLIK / Weight				AĞIRLIK / Weight		
	2,454 kg/mt						

⊗ Sipariş öncesi kalıp bilgisi kontrol edilmeli / must be check profile production before the order


















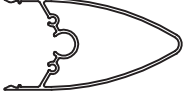


Profil ağırlıklarımız teorik olup; teslim anındaki tartımız geçerlidir.

## PROFİL LİSTESİ - PROFILES LIST

FC50-020-20	Jx cm <sup>4</sup>	Jy cm <sup>4</sup>		FC50-213-16	Jx cm <sup>4</sup>	Jy cm <sup>4</sup>	
	755,29	52,07			71,50	19,24	
DÜŞEY PROFİL - 188mm MULLION PROFILE - 188mm	AĞIRLIK / Weight			YATAY PROFİL - 80mm TRANSOM PROFILE - 80mm	AĞIRLIK / Weight		
	3,878 kg/mt				1,626 kg/mt		
FC50-021-25	Jx cm <sup>4</sup>	Jy cm <sup>4</sup>		FC50-214-16	Jx cm <sup>4</sup>	Jy cm <sup>4</sup>	
	1037,63	66,68			130,25	24,04	
DÜŞEY PROFİL - 210mm MULLION PROFILE - 210mm	AĞIRLIK / Weight			YATAY PROFİL - 105mm TRANSOM PROFILE - 105mm	AĞIRLIK / Weight		
	4,615 kg/mt				1,849 kg/mt		
FC50-021-25	Jx cm <sup>4</sup>	Jy cm <sup>4</sup>		FC50-215-16	Jx cm <sup>4</sup>	Jy cm <sup>4</sup>	
	1037,63	66,68			197,20	30,30	
DÜŞEY PROFİL - 210mm MULLION PROFILE - 210mm	AĞIRLIK / Weight			YATAY PROFİL - 125mm TRANSOM PROFILE - 125mm	AĞIRLIK / Weight		
	4,615 kg/mt				2,148 kg/mt		
FC50-111-16	Jx cm <sup>4</sup>	Jy cm <sup>4</sup>		FC50-217-17	Jx cm <sup>4</sup>	Jy cm <sup>4</sup>	
	101,16	98,93			359,28	34,78	
KÖŞE DÖNÜŞ PROFİLİ 90° CORNER PROFILE - 90°	AĞIRLIK / Weight			YATAY PROFİL - 155mm TRANSOM PROFILE - 155mm	AĞIRLIK / Weight		
	2,571 kg/mt				2,485 kg/mt		
FC50-112-16	Jx cm <sup>4</sup>	Jy cm <sup>4</sup>		FC10-160-03	DİLATASYON PROFİLİ DILATATION PROFILE		
	25,97	8,92			AĞIRLIK / Weight		
KÖŞE DÖNÜŞ PROFİLİ 135° CORNER PROFILE - 135°	AĞIRLIK / Weight			YATAY BAĞLANTI PROFİLİ TRANSOM JOINT PROFILE	AĞIRLIK / Weight		
	1,348 kg/mt				1,672 kg/mt		
FC50-211-16	Jx cm <sup>4</sup>	Jy cm <sup>4</sup>		FC10-438-02	YATAY BAĞLANTI KIZAK PROFİLİ TRANSOM JOINT PROFILE		
	14,43	10,90			AĞIRLIK / Weight		
YATAY PROFİL - 35mm TRANSOM PROFILE - 35mm	AĞIRLIK / Weight			AÇILI YATAY BAĞLANTI PROFİLİ ANGULAR T JOINT PROFILE	AĞIRLIK / Weight		
	1,241 kg/mt				1,317 kg/mt		
FC50-212-16	Jx cm <sup>4</sup>	Jy cm <sup>4</sup>		FC10-161-25	Jx cm <sup>4</sup>	Jy cm <sup>4</sup>	
	27,35	13,62			AĞIRLIK / Weight		
YATAY PROFİL - 50mm TRANSOM PROFILE - 50mm	AĞIRLIK / Weight			DESTEK PROFİLİ MULLION SUPPORT PROFILE	AĞIRLIK / Weight		
	1,367 kg/mt				2,196 kg/mt		
FC50-313-16	Jx cm <sup>4</sup>	Jy cm <sup>4</sup>					
	46,33	16,43					
YATAY PROFİL - 65mm TRANSOM PROFILE - 65mm	AĞIRLIK / Weight						
	1,497 kg/mt						


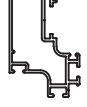





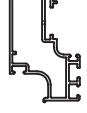
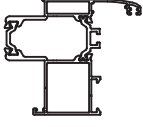
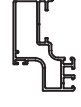
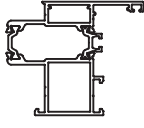
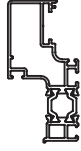
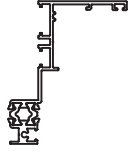
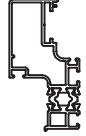
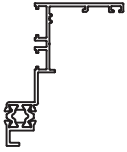
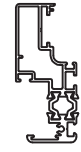
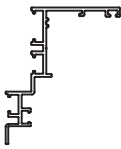
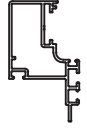
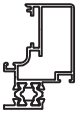
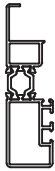
Profil ağırlıklarımız teorik olup; teslim anındaki tartımız geçerlidir.

## PROFİL LİSTESİ - PROFILES LIST

FC50-131-15			FC50-039-20		
BASKI KAPAK PROFİLİ COVER BOTTOM PROFILE	AĞIRLIK / Weight 0,305 kg/mt		AÇILI KAPAK PROFİLİ ANGULAR COVER PROFILE	AĞIRLIK / Weight 0,867 kg/mt	
FC50-037-14			FC10-110-12		
KAPAK PROFİLİ-14mm COVER PROFILE	AĞIRLIK / Weight 0,296 kg/mt		AÇILI KAPAK AYAR PROFİLİ ANGULAR COVER PROFILE	AĞIRLIK / Weight 0,132 kg/mt	
FC50-032-14			FC50-137-15		
KAPAK PROFİLİ-16mm COVER PROFILE	AĞIRLIK / Weight 0,314 kg/mt		AÇILI BASKI KAPAK PROFİLİ - 150° ANGULAR COVER PROFILE	AĞIRLIK / Weight 0,486 kg/mt	
FC50-031-14			FC50-037-15		
KAPAK PROFİLİ-17mm COVER PROFILE	AĞIRLIK / Weight 0,315 kg/mt		AÇILI KAPAK PROFİLİ - 150° ANGULAR COVER PROFILE	AĞIRLIK / Weight 0,486 kg/mt	
FC50-036-14			FC50-136-15		
KAPAK PROFİLİ-20mm COVER PROFILE	AĞIRLIK / Weight 0,335 kg/mt		AÇILI BASKI KAPAK PROFİLİ - 135° ANGULAR COVER PROFILE	AĞIRLIK / Weight 0,514 kg/mt	
FC50-038-14			FC50-136-14		
YATAY KAPAK PROFİLİ COVER PROFILE	AĞIRLIK / Weight 0,284 kg/mt		AÇILI KAPAK PROFİLİ - 135° ANGULAR COVER PROFILE	AĞIRLIK / Weight 0,570 kg/mt	
FC50-132-14			FC50-133-14		
VİDALI KAPAK PROFİLİ COVER PROFILE	AĞIRLIK / Weight 0,257 kg/mt		AÇILI BASKI KAPAK PROFİLİ - 90° ANGULAR COVER PROFILE	AĞIRLIK / Weight 0,305 kg/mt	
FC50-135-15			FC50-034-15		
VİDALI KAPAK PROFİLİ COVER PROFILE	AĞIRLIK / Weight 0,322 kg/mt		AÇILI KAPAK PROFİLİ - 90° ANGULAR COVER PROFILE	AĞIRLIK / Weight 0,278 kg/mt	
FC50-033-09			FC50-035-14		
KANAL KAPAK PROFİLİ COVER PROFILE	AĞIRLIK / Weight 0,043 kg/mt		BADEM KAPAK PROFİLİ COVER PROFILE	AĞIRLIK / Weight 1,263 kg/mt	
FC50-139-16			FC50-134-15		
VİDALI KAPAK PROFİLİ COVER PROFILE	AĞIRLIK / Weight 0,401 kg/mt		KÖŞE ADAPTÖR PROFİLİ CORNER ADAPTER PROFILE	AĞIRLIK / Weight 0,976 kg/mt	

Profil ağırlıklarımız teorik olup; teslim anındaki tartımız geçerlidir.

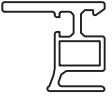

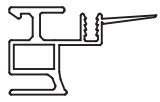



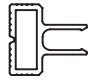










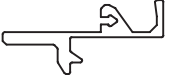


## PROFİL LİSTESİ - PROFILES LIST

FC12-036-15			FC50-021-15		
KÖŞE ADAPTÖR PROFİLİ CORNER ADAPTER PROFILE	AĞIRLIK / Weight 0,206 kg/mt		CAM KASET PROFİLİ GLAZING FRAME PROFILE	AĞIRLIK / Weight 0,841kg/mt	
FC12-200-20			FC12-187-12		
AYARLANABİLİR KÖŞE DÖNÜŞ PROFİLİ ADJUSTABLE CORNER PROFILE	AĞIRLIK / Weight 0,532 kg/mt		CAM KASET BONDİNG PROFİLİ GLAZING FRAME BONDING PROFILE	AĞIRLIK / Weight 0,109 kg/mt	
FC12-210-20			FC50-170-24		
AYARLANABİLİR KÖŞE DÖNÜŞ PROFİLİ ADJUSTABLE CORNER PROFILE	AĞIRLIK / Weight 0,624 kg/mt		CAM KASET EMNİYET PROFİLİ GLAZING FRAME SECURITY PROFILE	AĞIRLIK / Weight 0,183 kg/mt	
FC12-181-12			FC50-022-15		
DİLATASYON GEÇİŞ PROFİLİ DILATATION ISOLATION PROFILE	AĞIRLIK / Weight 0,149 kg/mt		CAM KASET PROFİLİ GLAZING FRAME PROFILE	AĞIRLIK / Weight 0,874 kg/mt	
TE62 47			FC50-025-13		
İÇE AÇILIR KANAT KASA PROFİLİ - TE62 FRAME PROFILE	AĞIRLIK / Weight 1,413 kg/mt		EKONOMİK CAM KASET PROFİLİ GLAZING FRAME PROFILE	AĞIRLIK / Weight 0,674 kg/mt	
TH62 47			FC50-023-15		
İÇE AÇILIR KANAT KASA PROFİLİ-TH62 FRAME PROFILE	AĞIRLIK / Weight 1,699 kg/mt		YALITIMLI CAM KASET PROFİLİ INSULATED GLAZING FRAME PROFILE	AĞIRLIK / Weight 1,238 kg/mt	
FC50-121-15			FC50-123-15		
DIŞA AÇILIR KANAT KASA PROFİLİ FRAME PROFILE	AĞIRLIK / Weight 1,145 kg/mt		YALITIMLI CAM KASET PROFİLİ INSULATED GLAZING FRAME PROFILE	AĞIRLIK / Weight 1,215 kg/mt	
FC50-221-15			FC50-223-15		
DIŞA AÇILIR KANAT KASA PROFİLİ FRAME PROFILE	AĞIRLIK / Weight 1,085 kg/mt		YALITIMLI BONDİNGSİZ CAM KASET PROFİLİ INSULATED GLAZING FRAME PROFILE	AĞIRLIK / Weight 1,315 kg/mt	
FC50-122-18			FC50-024-15		
DIŞA AÇILIR KANAT KASA PROFİLİ FRAME PROFILE	AĞIRLIK / Weight 0,893 kg/mt		KOMPOZİT LEVHA KASET PROFİLİ COMPOSITE PANEL FRAME PROFILE	AĞIRLIK / Weight 0,850 kg/mt	
FC50-323-15			FC50-041-15		
DIŞA AÇILIR KANAT PROFİLİ SASH PROFILE	AĞIRLIK / Weight 1,050 kg/mt		DUVAR BİTİŞİ KASET PROFİLİ FINISHING DETAIL PROFILE	AĞIRLIK / Weight 1,140 kg/mt	

⊗ Sipariş öncesi kalıp bilgisi kontrol edilmeli / must be check profile production before the order

Profil ağırlıklarımız teorik olup; teslim anındaki tartımız geçerlidir.

## PROFİL LİSTESİ - PROFILES LIST













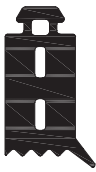






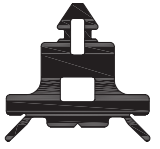
FC12-239-13			FC12-034-30		
CAM KASET PROFİLİ GLAZING FRAME PROFILE	AĞIRLIK / Weight 0,475 kg/mt		İKİLİ TESPİT PROFİLİ DOUBLE FIXATION PROFILE	AĞIRLIK / Weight 0,350 kg/mt	
FC12-401-13			FC12-023-30		
CAM KASET PROFİLİ GLAZING FRAME PROFILE	AĞIRLIK / Weight 0,467 kg/mt		TEKLİ TESPİT PROFİLİ SINGLE FIXATION PROFILE	AĞIRLIK / Weight 0,275 kg/mt	
FC12-203-15			FC12-039-40		
LEVHA TIRNAK PROFİLİ ADAPTER PROFILE	AĞIRLIK / Weight 0,162 kg/mt		KÖŞE DÖNÜŞ TESPİT PROFİLİ CORNER FIXATION PROFILE	AĞIRLIK / Weight 0,529 kg/mt	
FC12-193-16			FC12-067-12		
CAM ARA ÇİTA PROFİLİ GLAZING PROFILE	AĞIRLIK / Weight 0,287 kg/mt		AÇILI TEK CAM ÇİTASI ANGULAR GLAZING PROFILE	AĞIRLIK / Weight 0,115 kg/mt	
FC12-193-06			FC12-117-12		
TEK CAM ÇİTA PROFİLİ SINGLE GLAZING PROFILE	AĞIRLIK / Weight 0,304 kg/mt		TEK CAM ÇİTASI-10,5mm SINGLE GLAZING PROFILE	AĞIRLIK / Weight 0,133 kg/mt	
FC10-170-04			FC12-177-12		
TESPİT PROFİLİ FIXATION PROFILE	AĞIRLIK / Weight 0,373 kg/mt		TEK CAM ÇİTASI-17,5mm SINGLE GLAZING PROFILE	AĞIRLIK / Weight 0,206 kg/mt	
FC10-120-03			FC12-043-14		
TESPİT PROFİLİ FIXATION PROFILE	AĞIRLIK / Weight 0,285 kg/mt		CAM TAKOZU GLASS SUPPORT	AĞIRLIK / Weight 0,397 kg/mt	
FC12-266-22			FC12-344-25		
TESPİT PROFİLİ FIXATION PROFILE	AĞIRLIK / Weight 0,344 kg/mt		CAM TAKOZU GLASS SUPPORT	AĞIRLIK / Weight 0,270 kg/mt	
FC12-320-20			FC12-438-14		
İKİLİ TESPİT PROFİLİ DOUBLE FIXATION PROFILE	AĞIRLIK / Weight 0,263 kg/mt		CAM TAKOZU GLASS SUPPORT	AĞIRLIK / Weight 0,491 kg/mt	
FC12-220-20			FC12-191-42		
TEKLİ TESPİT PROFİLİ SINGLE FIXATION PROFILE	AĞIRLIK / Weight 0,193 kg/mt		KASET DESTEK PROFİLİ SASH SUPPORT	AĞIRLIK / Weight 0,355 kg/mt	

\* Sipariş öncesi kalıp bilgisi kontrol edilmeli / must be check profile production before the order

Profil ağırlıklarımız teorik olup; teslim anındaki tartımız geçerlidir.

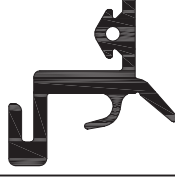
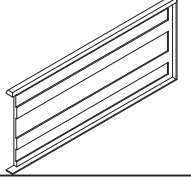

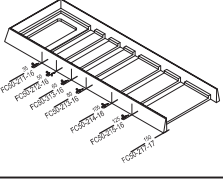

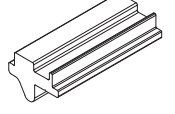

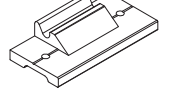

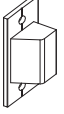
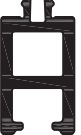
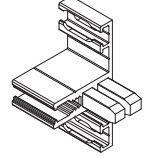
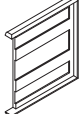
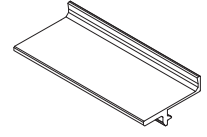
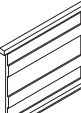
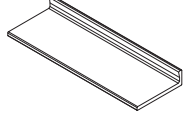
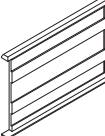
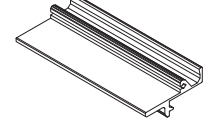
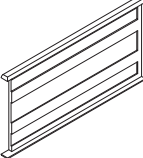
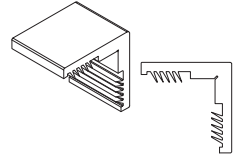


## AKSESUAR LİSTESİ - ACCESSORIES LIST

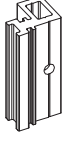
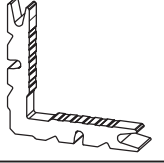
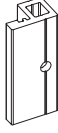
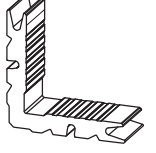
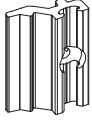

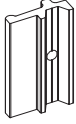
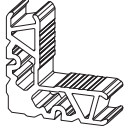
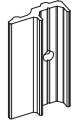
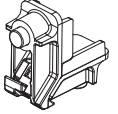
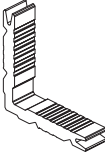
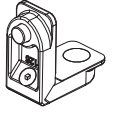
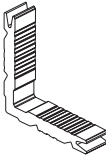
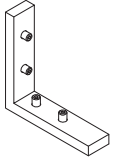
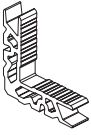
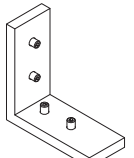
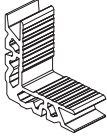

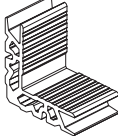
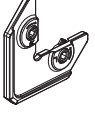
CE1-01			CE2-04		
İÇ CAM FİTİLİ - 3 mm INNER GLAZING GASKET	KOLİ MİKTARI/Package 260 mt / 15 kg		ORTA BASKI FİTİLİ-11mm CENTRAL EPDM GASKET	KOLİ MİKTARI/Package 95 mt / 15 kg	
CE1-06			CE2-02		
İÇ CAM FİTİLİ - 3,5 mm INNER GLAZING GASKET	KOLİ MİKTARI/Package 250 mt / 15 kg		ORTA BASKI FİTİLİ-12mm CENTRAL EPDM GASKET	KOLİ MİKTARI/Package 90 mt / 15 kg	
CE1-02			CE2-05		
İÇ CAM FİTİLİ - 4,9 mm INNER GLAZING GASKET	KOLİ MİKTARI/Package 140 mt / 15 kg		ORTA BASKI FİTİLİ-15mm CENTRAL EPDM GASKET	KOLİ MİKTARI/Package 15 kg	
CE1-05			CE2-03		
İÇ CAM FİTİLİ - 7,1 mm INNER GLAZING GASKET	KOLİ MİKTARI/Package 160 mt / 15 kg		ORTA CAM FİTİLİ YARI KAPAKLI CEPHE CENTRAL EPDM GASKET	KOLİ MİKTARI/Package 63 mt / 15 kg	
CE1-03			CE3-01		
İÇ CAM FİTİLİ - 9,1 mm INNER GLAZING GASKET	KOLİ MİKTARI/Package 125 mt / 15 kg		BİNİ FİTİLİ EPDM GASKET	KOLİ MİKTARI/Package 290 mt / 15 kg	
CE1-07			CE5-01		
İÇ CAM FİTİLİ - 12,7 mm INNER GLAZING GASKET	KOLİ MİKTARI/Package 15 kg		KASET DERZ FİTİLİ SASH GASKET	KOLİ MİKTARI/Package 180 mt / 15 kg	
CE1-04			CE5-02		
İÇ CAM FİTİLİ - 16,6 mm INNER GLAZING GASKET	KOLİ MİKTARI/Package 70 mt / 15 kg		KASET DERZ FİTİLİ SASH GASKET	KOLİ MİKTARI/Package 15 kg	
CE4-01			CE5-03		
DIŞ CAM FİTİLİ - 3 mm (BASKI KAPAK FİTİLİ) OUTER GLAZING GASKET	KOLİ MİKTARI/Package 210 mt / 15 kg		KASET DERZ FİTİLİ SASH GASKET	KOLİ MİKTARI/Package 15 kg	
KC 02			CE6-01		
KAMA CAM FİTİLİ - 2mm INNER GLAZING GASKET	KOLİ MİKTARI/Package 100 mt / 4,5 kg		DERZ FİTİLİ CENTRAL GASKET	KOLİ MİKTARI/Package 200 mt / 15 kg	
CE2-01			CE6-02		
ORTA BASKI FİTİLİ-5,2mm CENTRAL EPDM GASKET	KOLİ MİKTARI/Package 150 mt / 15 kg		SİLİKON CEPHE ORTA FİTİLİ CENTRAL EPDM GASKET	KOLİ MİKTARI/Package 15 kg	



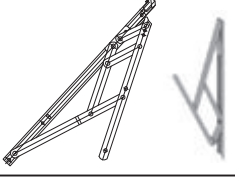

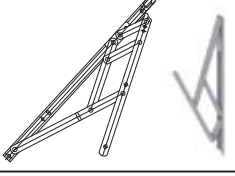

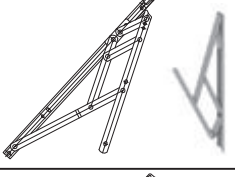

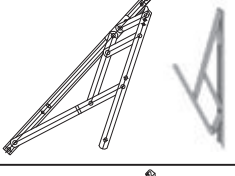
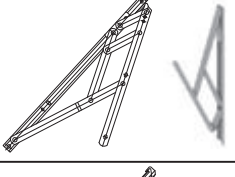
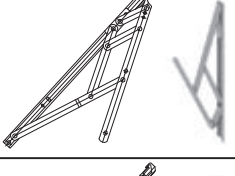
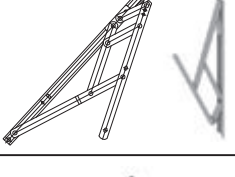



## AKSESUAR LİSTESİ - ACCESSORIES LIST

<b>CE7-01</b>			<b>GC2-125</b>		
KASA FİTİLİ SASH GASKET	KOLİ MİKTARI/Package 110 mt / 15 kg		GENLEŞME CONTASI (U TİPİ BAĞLANTI-125mm) GASKET FOR T JOINT	KOLİ MİKTARI/Package Adet / Piece	
<b>CE8-01</b>			<b>ASI-YK 150</b>		
KULAKLI CAM FİTİLİ -9,6 INNER GLAZING GASKET	KOLİ MİKTARI/Package 15 kg		GENLEŞME CONTASI (KIZAKLI GEÇME) GASKET FOR T JOINT	KOLİ MİKTARI/Package Adet / Piece	
<b>CE8-02</b>			<b>SG40-19142</b>		
KULAKLI CAM FİTİLİ -3,8 INNER GLAZING GASKET	KOLİ MİKTARI/Package 15 kg		SİLİKON CEPHE KASET DESTEK - ÜST ALM. SASH SUPPORT - TOP	KOLİ MİKTARI/Package Adet / Piece	
<b>CE9-01</b>			<b>PF50-19142</b>		
KULAKLI İÇ CAM FİTİLİ INNER GLAZING GASKET	KOLİ MİKTARI/Package 200 mt / 15 kg		SİLİKON CEPHE KASET DESTEK - ALT PVC SASH SUPPORT-BOTTOM	KOLİ MİKTARI/Package Adet / Piece	
<b>PF50-M01</b>			<b>PF50-060</b>		
ORTA PVC BASKI - 8,5mm PVC PROFILE	KOLİ MİKTARI/Package 6 mt / Adet / Piece		SİLİKON CEPHE KASET YAN DESTEK - PVC SASH SUPPORT- SIDE	KOLİ MİKTARI/Package Adet / Piece	
<b>PF50-M02</b>			<b>PF50-020</b>		
ORTA PVC BASKI -16mm PVC PROFILE	KOLİ MİKTARI/Package 6 mt / Adet / Piece		CEPHE YATAY PROFİL UZATMA PARÇASI - PVC TRANSOM LENGTHEN	KOLİ MİKTARI/Package Adet / Piece	
<b>GC2-050</b>			<b>SG100-04314</b>		
GENLEŞME CONTASI (U TİPİ BAĞLANTI-50mm) GASKET FOR T JOINT	KOLİ MİKTARI/Package Adet / Piece		CAM TAKOZU GLASS SUPPORT	KOLİ MİKTARI/Package Adet / Piece	
<b>GC2-065</b>			<b>SG100-34425</b>		
GENLEŞME CONTASI (U TİPİ BAĞLANTI-65mm) GASKET FOR T JOINT	KOLİ MİKTARI/Package Adet / Piece		CAM TAKOZU GLASS SUPPORT	KOLİ MİKTARI/Package Adet / Piece	
<b>GC2-080</b>			<b>SG100-43814</b>		
GENLEŞME CONTASI (U TİPİ BAĞLANTI-80mm) GASKET FOR T JOINT	KOLİ MİKTARI/Package Adet / Piece		CAM TAKOZU GLASS SUPPORT	KOLİ MİKTARI/Package Adet / Piece	
<b>GC2-105</b>			<b>FC50-KT 01</b>		
GENLEŞME CONTASI (U TİPİ BAĞLANTI-105mm) GASKET FOR T JOINT	KOLİ MİKTARI/Package Adet / Piece		KÖŞE BAĞLANTI-PVC CORNER JOINT	KOLİ MİKTARI/Package	

## AKSESUAR LİSTESİ - ACCESSORIES LIST

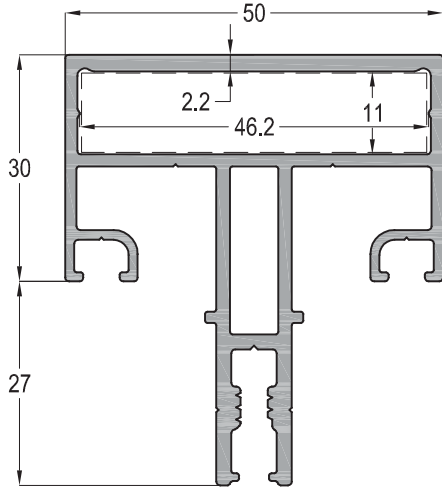
<b>FX40-17004</b>			<b>ASI-KT 1106</b>		
TESPİT MONTAJ PARÇASI <i>FIXING ACCESSORIES</i>	KOLİ MİKTARI/Package Adet / Piece		KÖŞE BAĞLANTI <i>CORNER JOINT</i>	KOLİ MİKTARI/Package Adet / Piece	
<b>FX40-12003</b>			<b>ASI-KT 1126</b>		
TESPİT MONTAJ PARÇASI <i>FIXING ACCESSORIES</i>	KOLİ MİKTARI/Package Adet / Piece		KÖŞE BAĞLANTI <i>CORNER JOINT</i>	KOLİ MİKTARI/Package Adet / Piece	
<b>FX40-26622</b>			<b>ASI-KT 2308</b>		
TESPİT MONTAJ PARÇASI <i>FIXING ACCESSORIES</i>	KOLİ MİKTARI/Package Adet / Piece		KÖŞE BAĞLANTI <i>CORNER JOINT</i>	KOLİ MİKTARI/Package Adet / Piece	
<b>FX40-02330</b>			<b>ASI-KT 2660</b>		
TESPİT MONTAJ PARÇASI <i>FIXING ACCESSORIES</i>	KOLİ MİKTARI/Package Adet / Piece		KÖŞE BAĞLANTI <i>CORNER JOINT</i>	KOLİ MİKTARI/Package Adet / Piece	
<b>FX40-22020</b>			<b>ASI-PB 2326</b>		
TESPİT MONTAJ PARÇASI <i>FIXING ACCESSORIES</i>	KOLİ MİKTARI/Package Adet / Piece		PİMLİ KÖŞE BAĞLANTI <i>CORNER JOINT</i>	KOLİ MİKTARI/Package Adet / Piece	
<b>ASI-KT 0807</b>			<b>ASI-PB 1126</b>		
KÖŞE BAĞLANTI <i>CORNER JOINT</i>	KOLİ MİKTARI/Package Adet / Piece		PİMLİ KÖŞE BAĞLANTI <i>CORNER JOINT</i>	KOLİ MİKTARI/Package Adet / Piece	
<b>ASI-KT 0815</b>			<b>ASI-PB 0410</b>		
KÖŞE BAĞLANTI <i>CORNER JOINT</i>	KOLİ MİKTARI/Package Adet / Piece		KASA KÖŞE BAĞLANTI <i>CORNER JOINT</i>	KOLİ MİKTARI/Package Adet / Piece	
<b>ASI-KT 1610</b>			<b>ASI-PB 0417</b>		
KÖŞE BAĞLANTI <i>CORNER JOINT</i>	KOLİ MİKTARI/Package Adet / Piece		KASA KÖŞE BAĞLANTI <i>CORNER JOINT</i>	KOLİ MİKTARI/Package Adet / Piece	
<b>ASI-KT 1628</b>			<b>ASI-SB 19.1</b>		
KÖŞE BAĞLANTI <i>CORNER JOINT</i>	KOLİ MİKTARI/Package Adet / Piece		KÖŞE GÖNYESİ <i>CORNER ALIGNMENT</i>	KOLİ MİKTARI/Package Adet / Piece	
<b>ASI-KT 1635</b>			<b>ASI-FUJI 2000</b>		
KÖŞE BAĞLANTI <i>CORNER JOINT</i>	KOLİ MİKTARI/Package Adet / Piece		AYARLI KÖŞE GÖNYESİ <i>CORNER ALIGNMENT</i>	KOLİ MİKTARI/Package Adet / Piece	


## AKSESUAR LİSTESİ - ACCESSORIES LIST

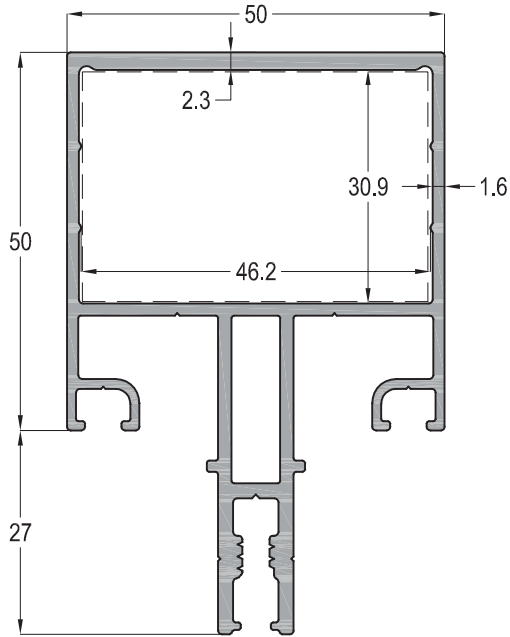
FC50-CWA 16			ASI-RP 001		
KANAT MAKASI -16 INCH FACADE RESTRICTOR	KOLİ MİKTARI/Package Adet / Piece		AYARLI TİJ PİMİ ADJUSTABLE LOCKING PAWL	KOLİ MİKTARI/Package Adet / Piece	
FC50-CWA 18			ASI-RS 002		
KANAT MAKASI -18 INCH FACADE RESTRICTOR	KOLİ MİKTARI/Package Adet / Piece		PİM KARŞILIĞI ROD PAWL STRIKE	KOLİ MİKTARI/Package Adet / Piece	
FC50-CWA 20			FC50-CD 01		
KANAT MAKASI-20 INCH FACADE RESTRICTOR	KOLİ MİKTARI/Package Adet / Piece		KÖŞE İLETİŞİM PARÇASI CORNER DRIVE	KOLİ MİKTARI/Package Adet / Piece	
FC50-CWA 22					
KANAT MAKASI-22 INCH FACADE RESTRICTOR	KOLİ MİKTARI/Package Adet / Piece				
FC50-CWA 24					
KANAT MAKASI-24 INCH FACADE RESTRICTOR	KOLİ MİKTARI/Package Adet / Piece				
FC50-CWA 26					
KANAT MAKASI-26 INCH FACADE RESTRICTOR	KOLİ MİKTARI/Package Adet / Piece				
FC50-CWA 28					
KANAT MAKASI-28 INCH FACADE RESTRICTOR	KOLİ MİKTARI/Package Adet / Piece				
FC50-LA 01					
KANAT LİMİTLEME KOLU LIMITATION ARM	KOLİ MİKTARI/Package Adet / Piece				
FC50-WH 01					
KIVRIK PENCERE KOLU WINDOW HANDLE	KOLİ MİKTARI/Package Adet / Piece				
FC50-WH A01					
KOL İLETİŞİM PARÇASI WINDOW HANDLE CONNECTOR	KOLİ MİKTARI/Package Adet / Piece				


**PROFİL DETAYLARI**  
PROFILE DETAILS

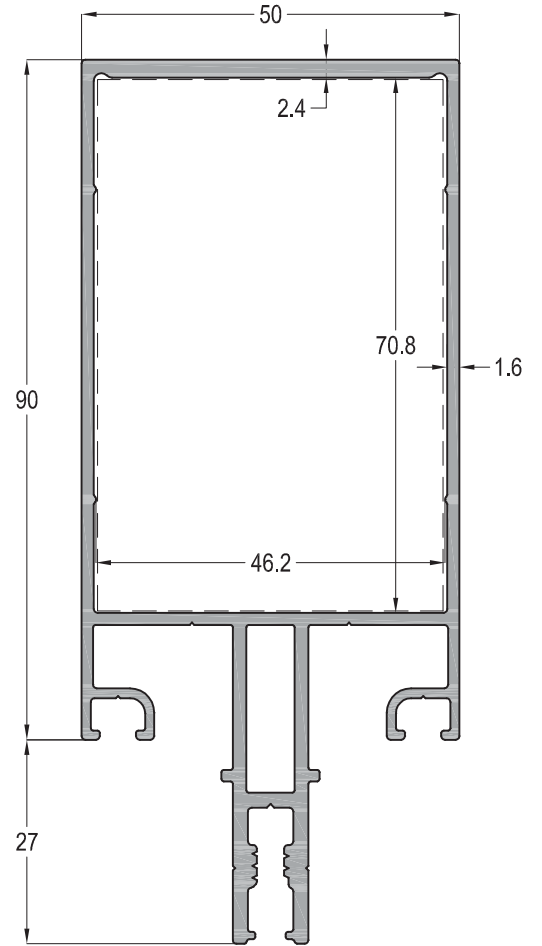





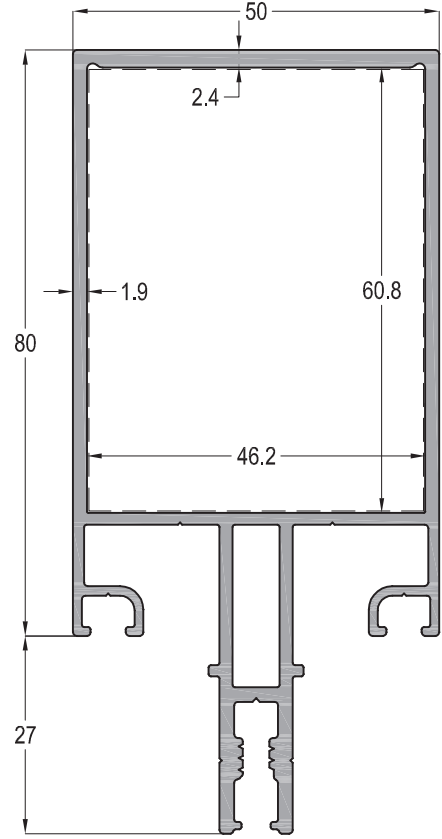
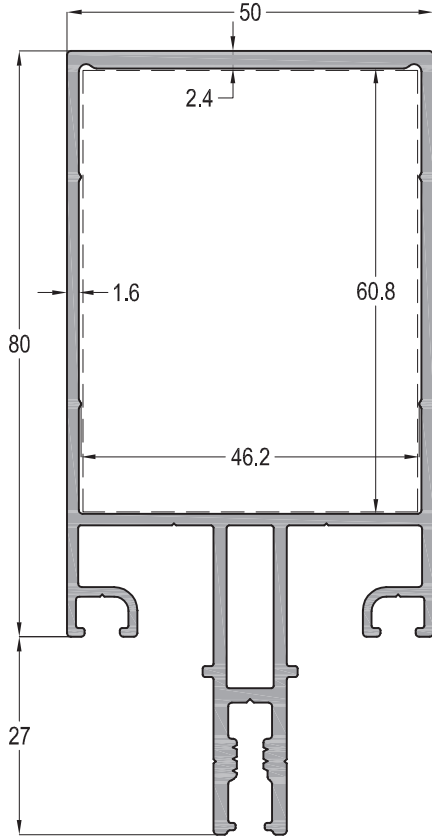
<b>FC50-011-16</b>	Jx cm <sup>4</sup>	Jy cm <sup>4</sup>
	13,15	10,10
 AW4510	AĞIRLIK / Weight	
	1,337 kg/mt	





<b>FC50-012-16</b>	Jx cm <sup>4</sup>	Jy cm <sup>4</sup>
	29,42	13,94
 AW4530	AĞIRLIK / Weight	
	1,523 kg/mt	

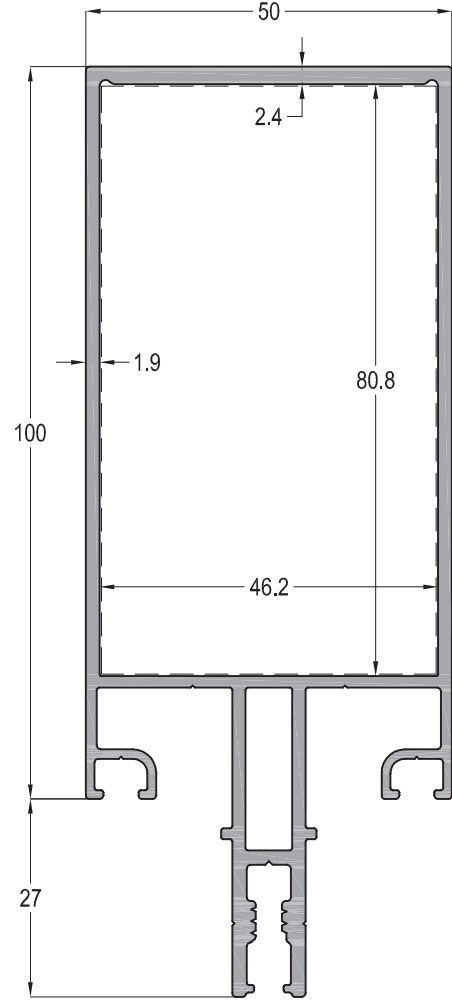
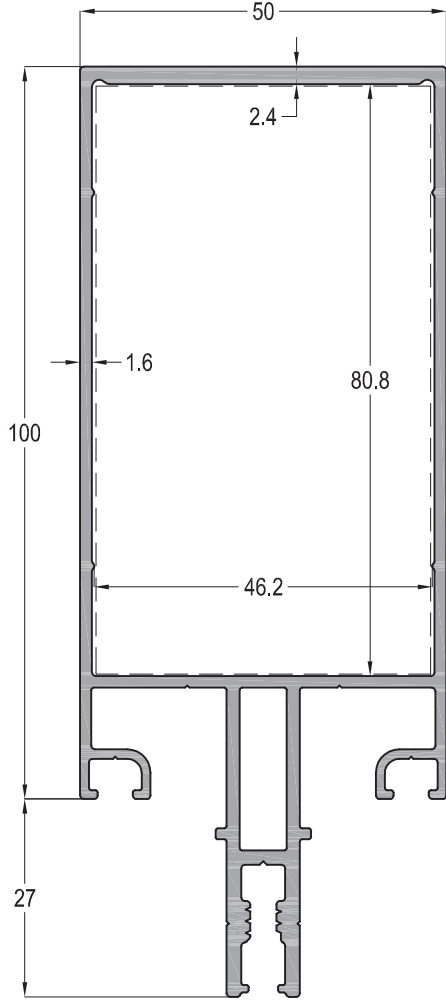



<b>FC50-010-16</b>	Jx cm <sup>4</sup>	Jy cm <sup>4</sup>
	96,19	21,50
 AW4570	AĞIRLIK / Weight	
	1,882 kg/mt	




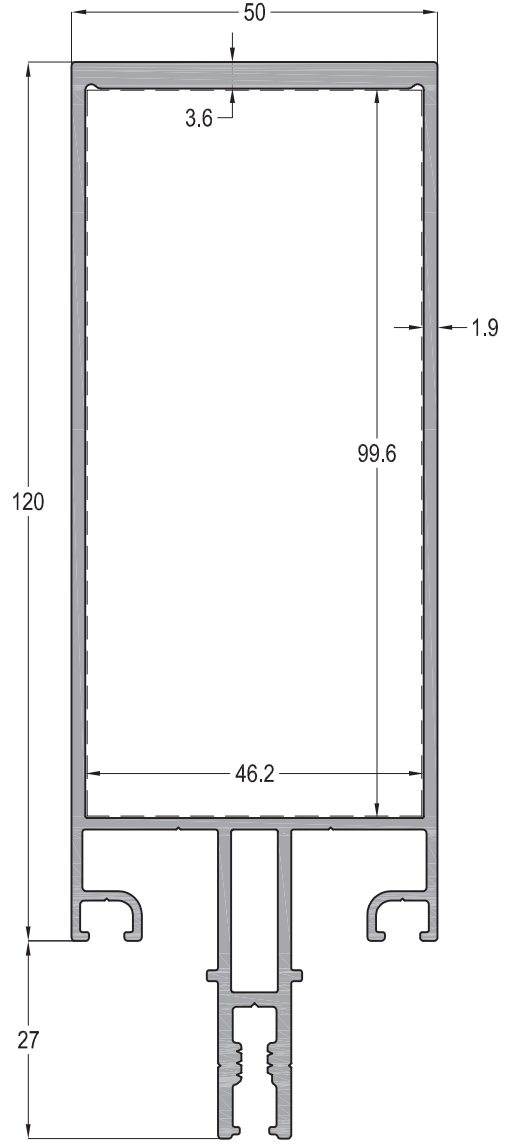
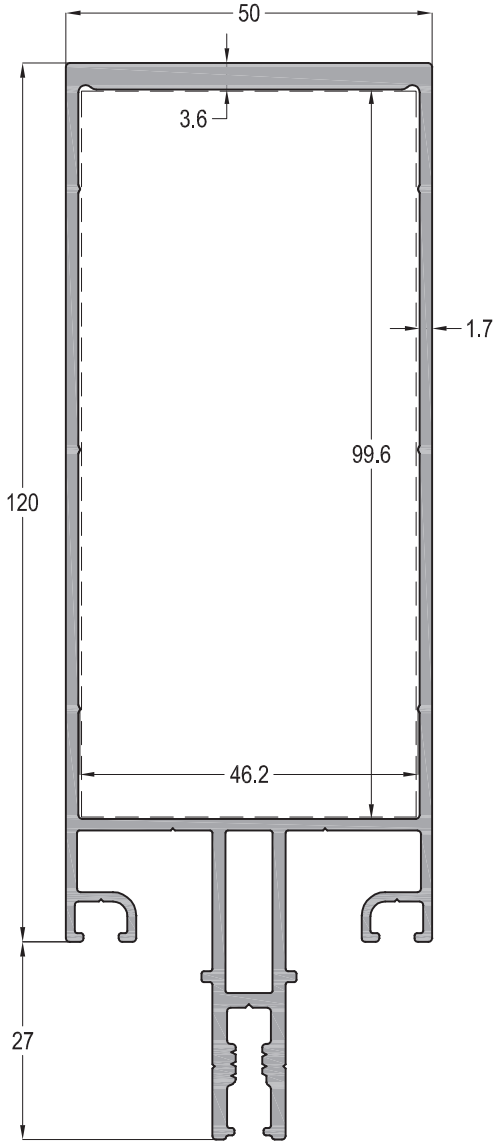
FC50-013-16	Jx cm <sup>4</sup>	Jy cm <sup>4</sup>
	74,95	19,63
 AW4560	AĞIRLIK / Weight	
	1,795 kg/mt	


FC50-113-16	Jx cm <sup>4</sup>	Jy cm <sup>4</sup>
	77,27	21,56
 AW4560	AĞIRLIK / Weight	
	1,892 kg/mt	




<b>FC50-014-16</b>	Jx cm <sup>4</sup>	Jy cm <sup>4</sup>
	120,82	23,38
 AW4580	AĞIRLIK / Weight	
	1,969 kg/mt	

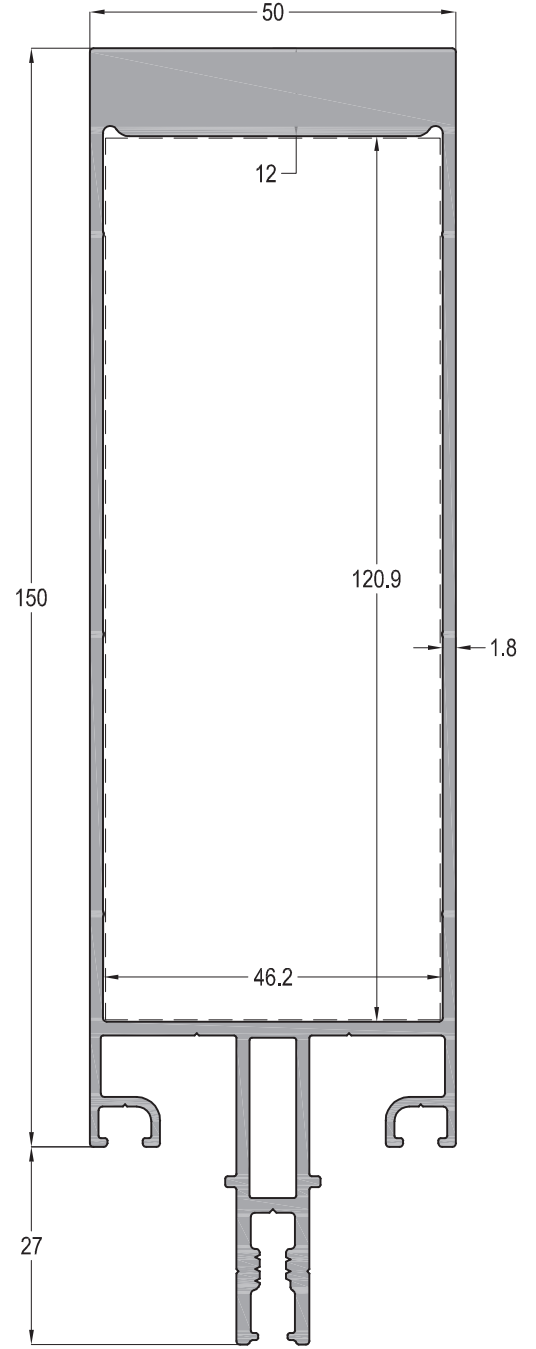
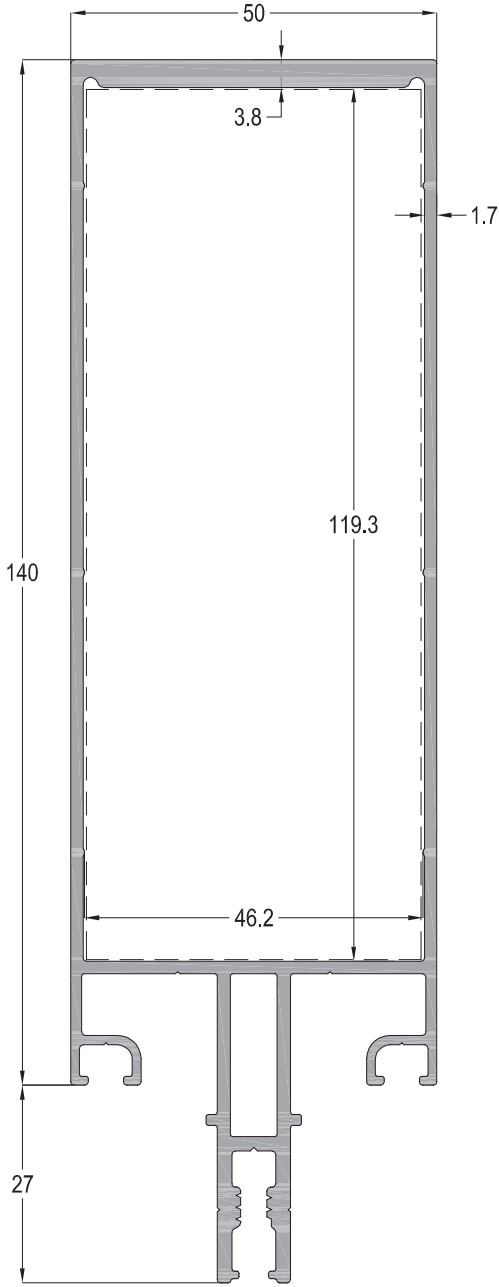
<b>FC50-114-16</b>	Jx cm <sup>4</sup>	Jy cm <sup>4</sup>
	125,29	25,96
 AW4580	AĞIRLIK / Weight	
	2,098 kg/mt	





FC50-015-17	Jx cm <sup>4</sup>	Jy cm <sup>4</sup>
	209,67	29,23
 AW4598	AĞIRLIK / Weight	
	2,348 kg/mt	

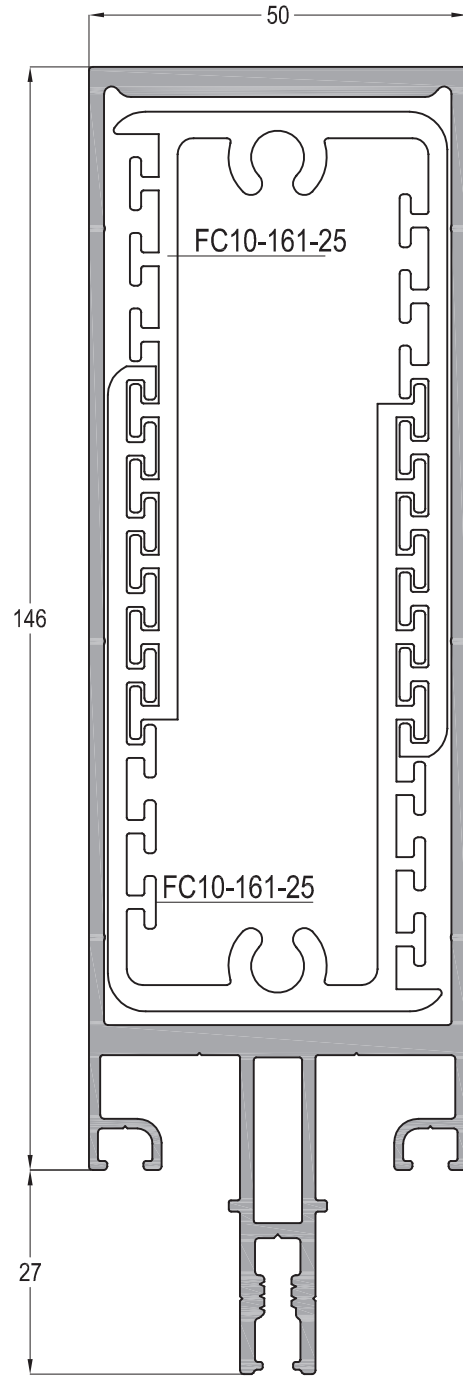
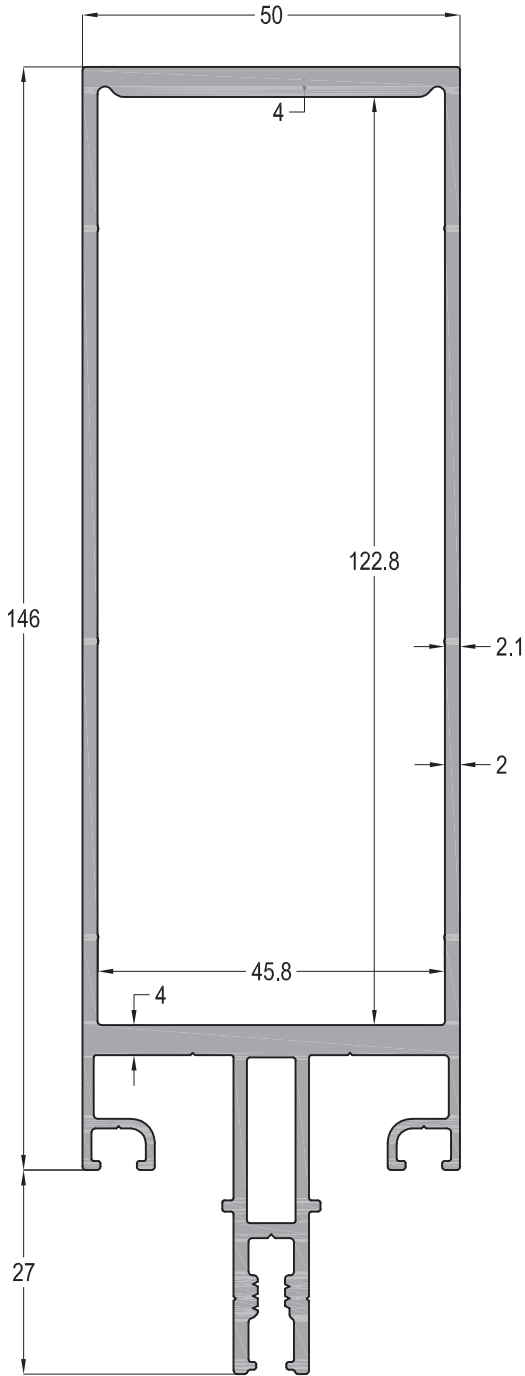
FC50-115-17	Jx cm <sup>4</sup>	Jy cm <sup>4</sup>
	213,92	30,80
 AW4598	AĞIRLIK / Weight	
	2,454 kg/mt	





FC50-016-17	Jx cm <sup>4</sup>	Jy cm <sup>4</sup>
	300,08	33,28
 AW4518	AĞIRLIK / Weight	
	2,561 kg/mt	

FC50-017-18	Jx cm <sup>4</sup>	Jy cm <sup>4</sup>
	522,65	43,62
 AW4512	AĞIRLIK / Weight	
	3,782 kg/mt	



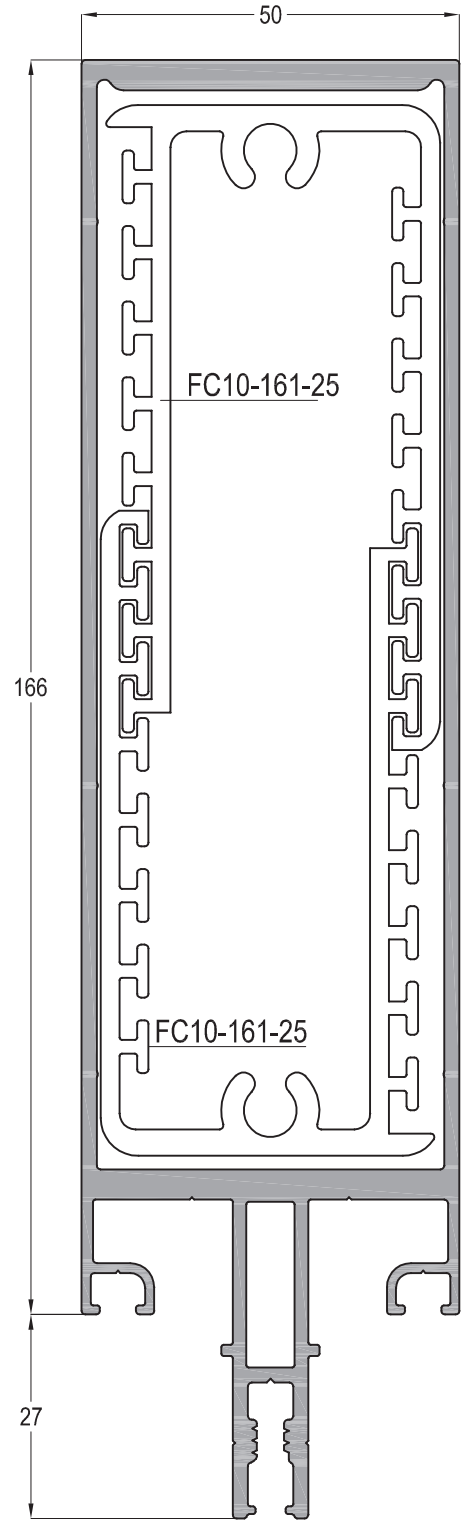
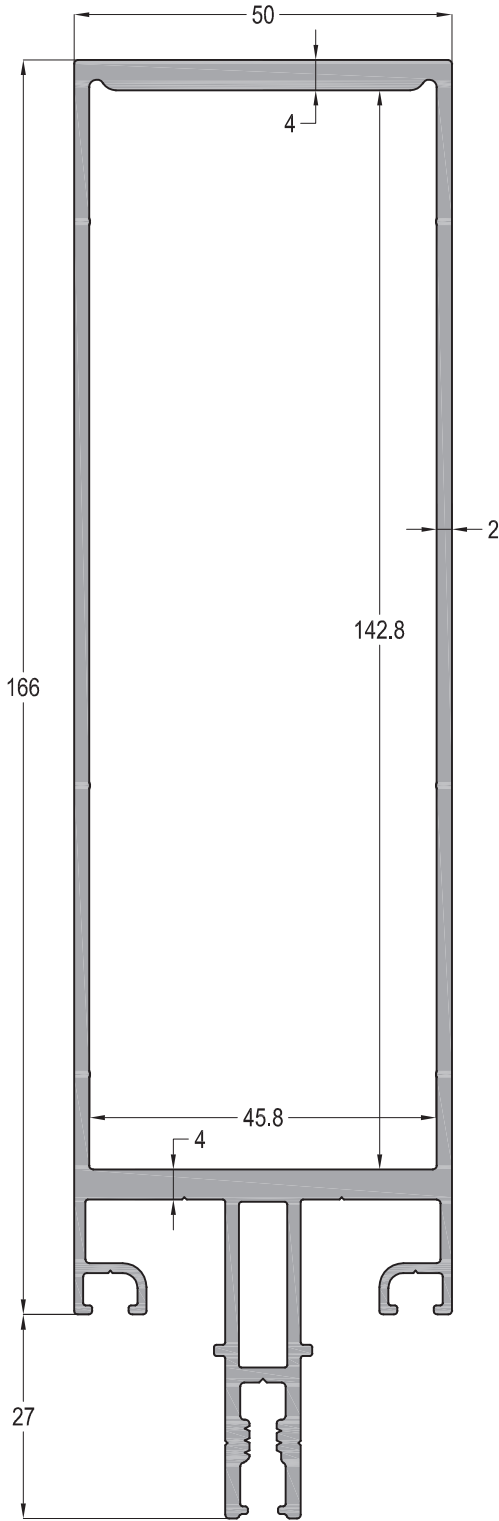
FC50-018-20	Jx cm <sup>4</sup>	Jy cm <sup>4</sup>
	368,44	40,50
	AĞIRLIK / Weight	
	3,135 kg/mt	

### TAKVİYELİ / Supported

FC50-018-20	Jx cm <sup>4</sup>	Jy cm <sup>4</sup>
	609,51	86,28
	AĞIRLIK / Weight	
	7,527 kg/mt	

NOT: KAT ARASI UYGULAMALAR İÇİN KULLANILMASI ÖNERİLİR, DÜŞEY BİRLEŞİMDE EK YAPILAMAZ  
That profiler are not suitable for multi-floor building, must be use single floor height.

Profil ağırlıklarımız teorik olup; teslim anındaki tartımız geçerlidir.



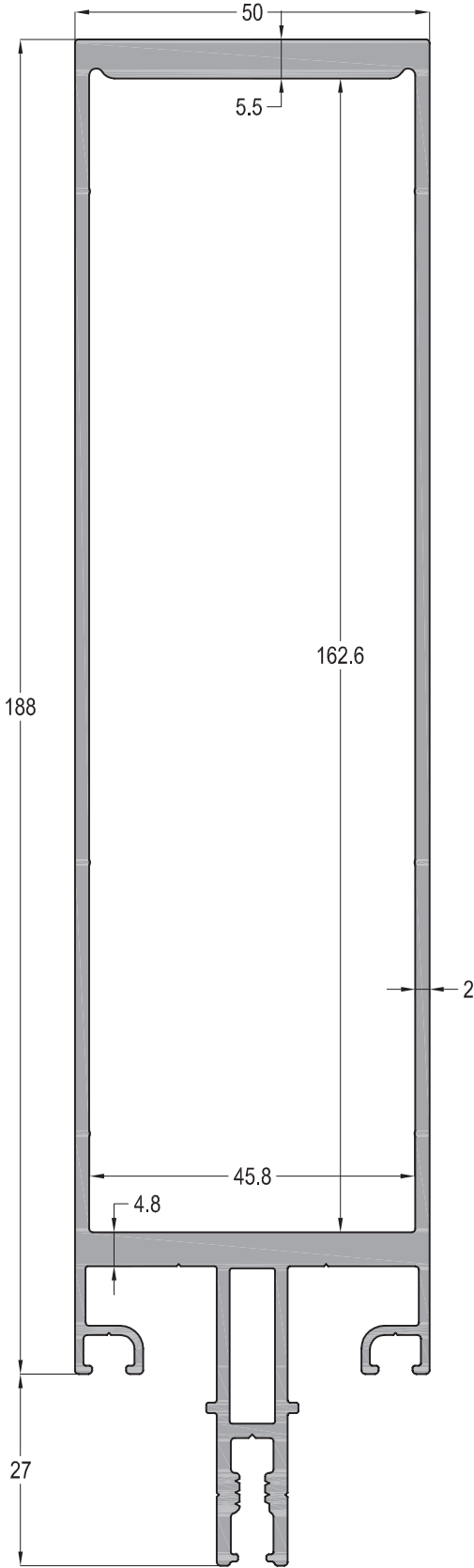
FC50-019-20	Jx cm <sup>4</sup>	Jy cm <sup>4</sup>
	497,91	45,11
	AĞIRLIK / Weight	
	3,352 kg/mt	

### TAKVİYELİ / Supported

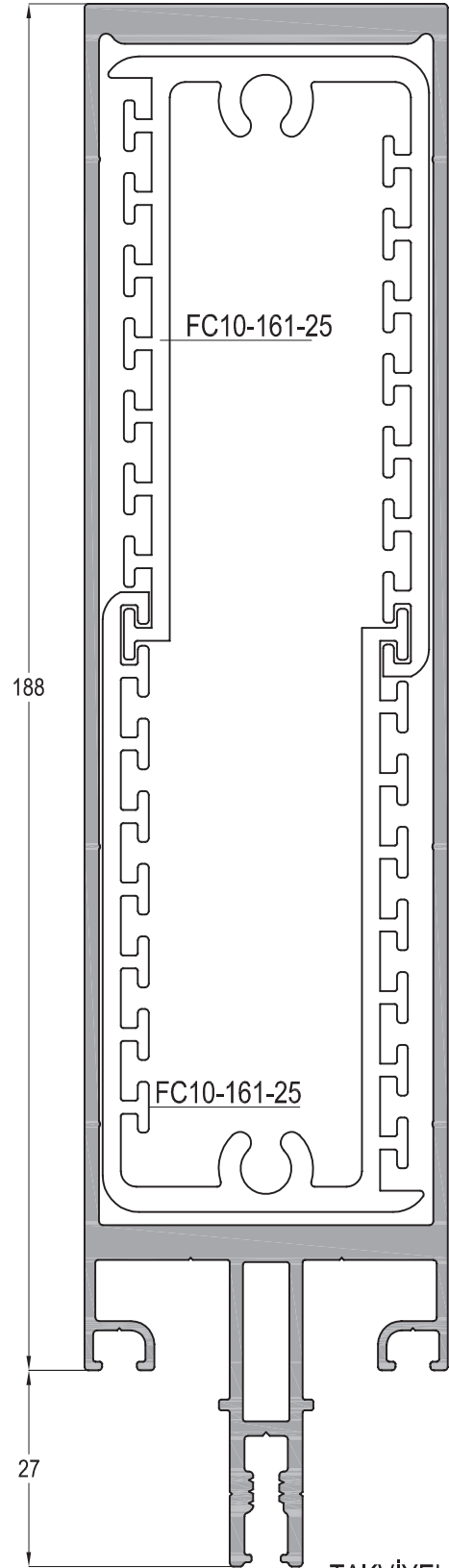
FC50-019-20	Jx cm <sup>4</sup>	Jy cm <sup>4</sup>
	839,63	89,79
	AĞIRLIK / Weight	
	7,744 kg/mt	

NOT: KAT ARASI UYGULAMALAR İÇİN KULLANILMASI ÖNERİLİR, DÜŞEY BİRLEŞİMDE EK YAPILAMAZ  
That profiler are not suitable for multi-floor building, must be use single floor height.

Profil ağırlıklarımız teorik olup; teslim anındaki tartımız geçerlidir.



FC50-020-20	Jx cm <sup>4</sup>	Jy cm <sup>4</sup>
	755,29	52,07
AĞIRLIK / Weight		
3,878 kg/mt		

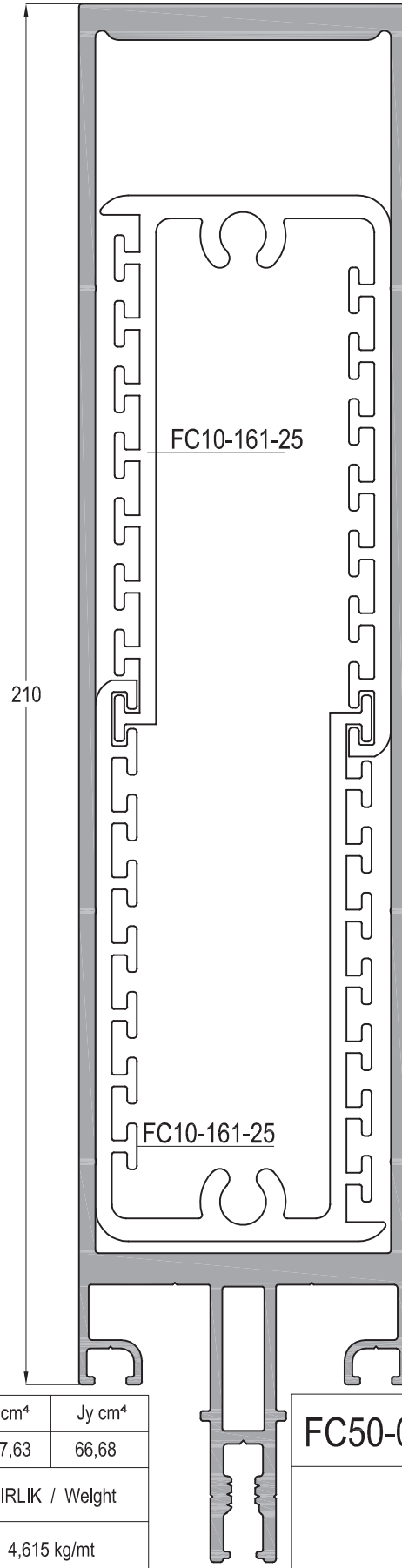
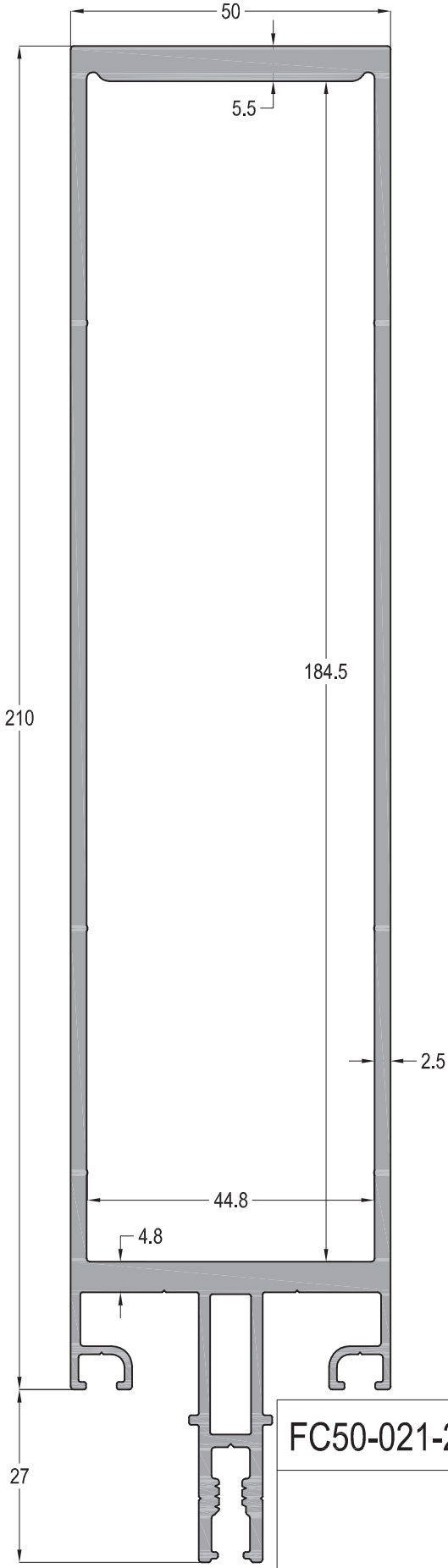


TAKVİYELİ / Supported

FC50-020-20	Jx cm <sup>4</sup>	Jy cm <sup>4</sup>
	1218,67	97,26
AĞIRLIK / Weight		
8,270 kg/mt		

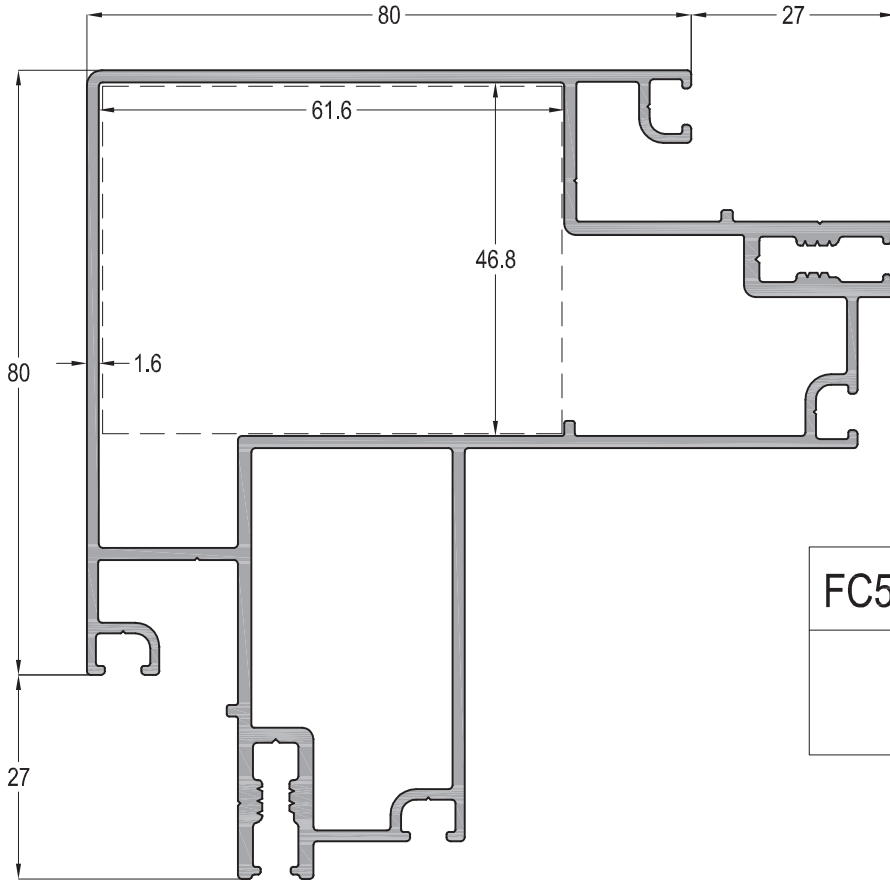
NOT: KAT ARASI UYGULAMALAR İÇİN KULLANILMASI ÖNERİLİR, DÜŞEY BİRLEŞİMDE EK YAPILAMAZ  
That profiler are not suitable for multi-floor building, must be use single floor height.


Profil ağırlıklarımız teorik olup; teslim anındaki tartımız geçerlidir.

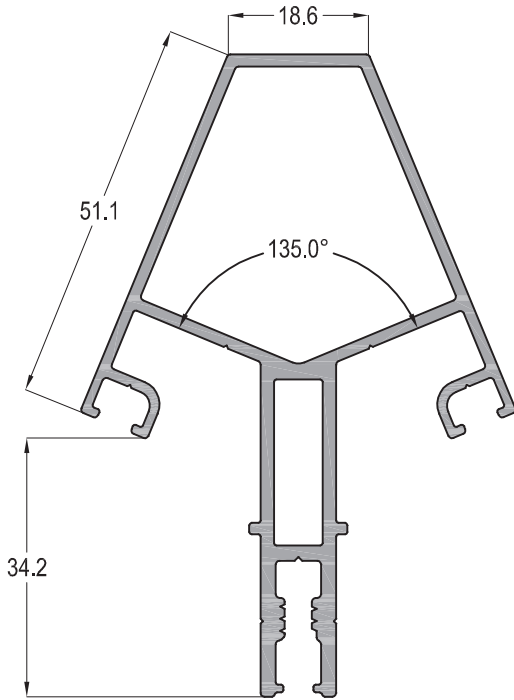


TAKVİYELİ / Supported

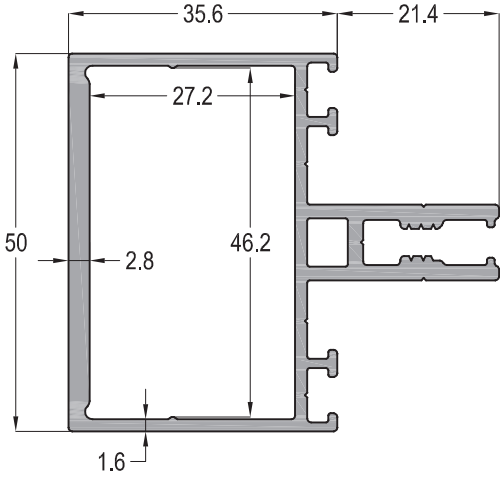
NOT: KAT ARASI UYGULAMALAR İÇİN KULLANILMASI ÖNERİLİR, DÜŞEY BİRLEŞİMDE EK YAPILAMAZ  
That profiler are not suitable for multi-floor building, must be use single floor height.


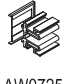
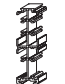


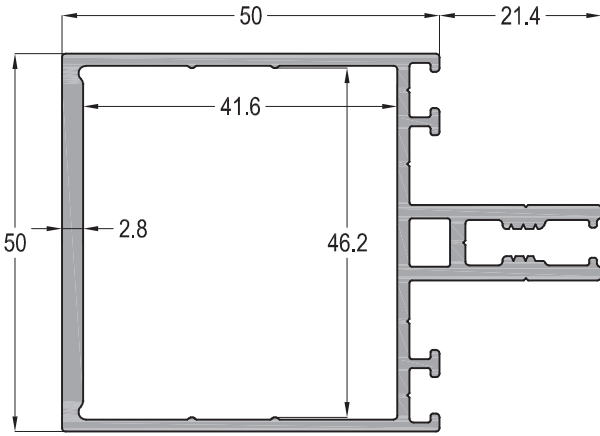
FC50-111-16	Jx cm <sup>4</sup>	Jy cm <sup>4</sup>
	101,16	98,93
 AW4560	AĞIRLIK / Weight	
	2,571 kg/mt	


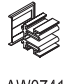
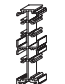


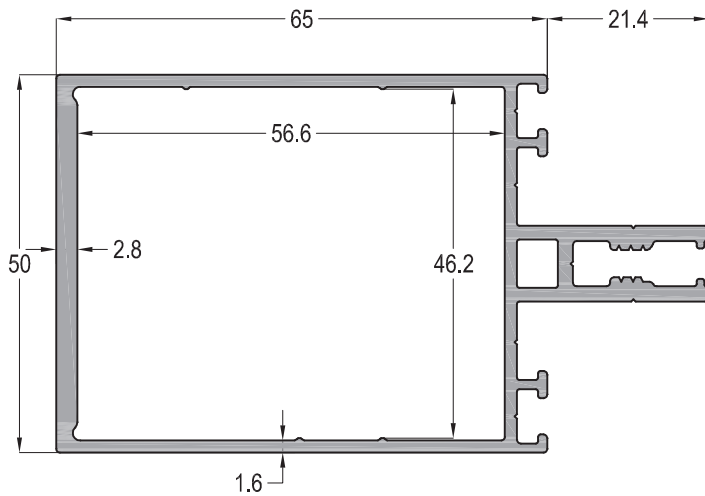
FC50-112-16	Jx cm <sup>4</sup>	Jy cm <sup>4</sup>
	25,97	8,92
	AĞIRLIK / Weight	
	1,348 kg/mt	






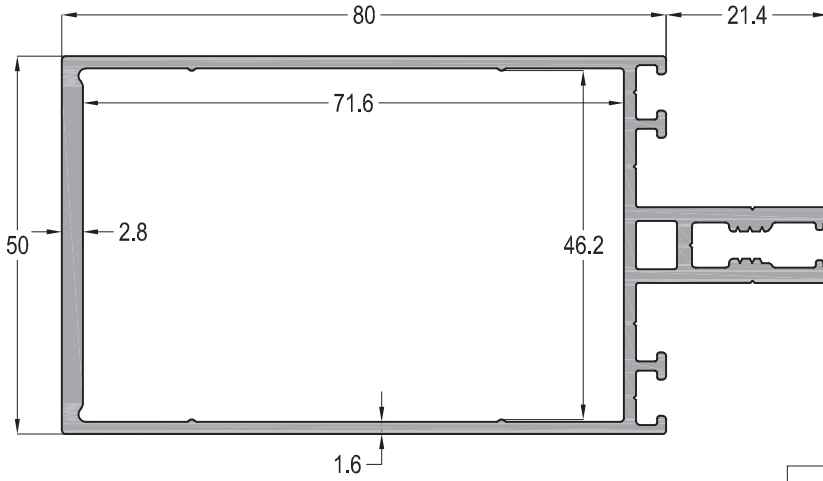
<b>FC50-211-16</b>			Jx cm <sup>4</sup>	Jy cm <sup>4</sup>
			14,43	10,90
 AW0725-TK ASI-YK 150	 AW0725 ---	 AW4526	AĞIRLIK / Weight	
			1,241 kg/mt	

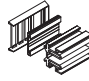




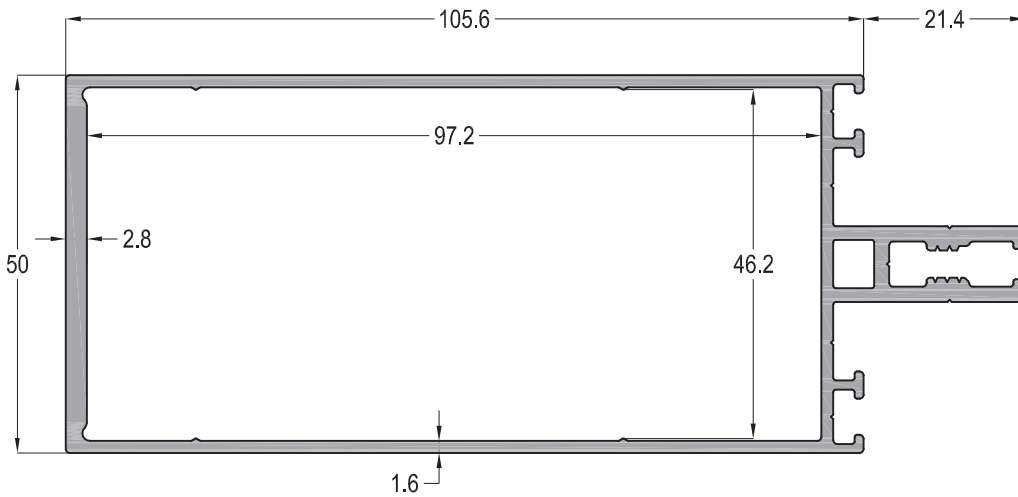
<b>FC50-212-16</b>			Jx cm <sup>4</sup>	Jy cm <sup>4</sup>
			27,35	13,62
 AW0741-TK ASI-YK 150	 AW0741 GC2-050	 AW4541	AĞIRLIK / Weight	
			1,367 kg/mt	






<b>FC50-313-16</b>			Jx cm <sup>4</sup>	Jy cm <sup>4</sup>
			46,33	16,43
 AW0756-TK ASI-YK 150	 AW0756 GC2-065	 AW4556	AĞIRLIK / Weight	
			1,497 kg/mt	

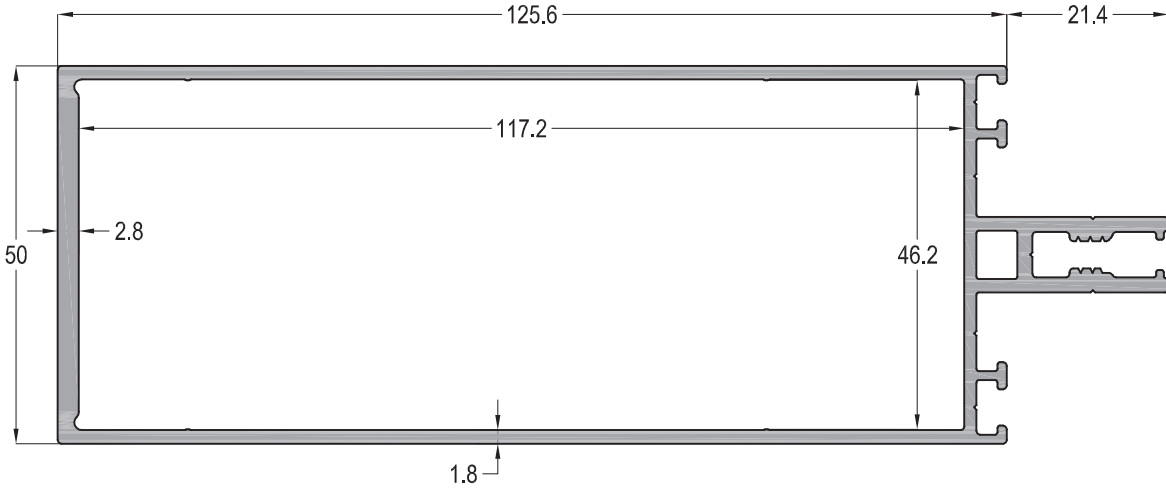


<b>FC50-213-16</b>			Jx cm <sup>4</sup>	Jy cm <sup>4</sup>
			71,50	19,24
 AW0771-TK ASI-YK 150	 AW0771 GC2-080	 AW4571	AĞIRLIK / Weight	
			1,626 kg/mt	

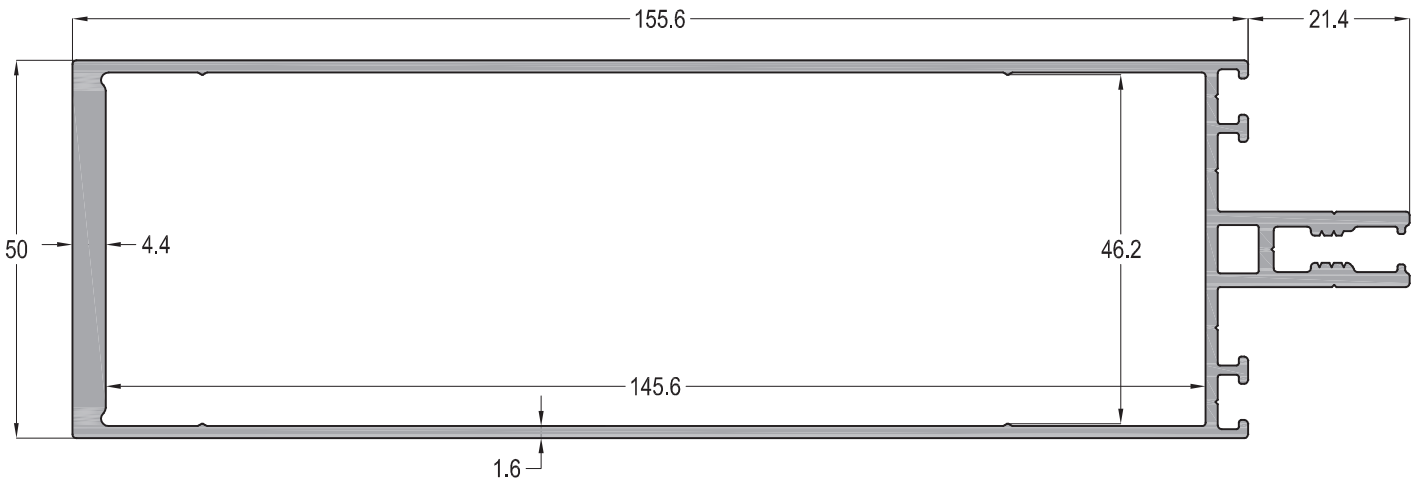


<b>FC50-214-16</b>			Jx cm <sup>4</sup>	Jy cm <sup>4</sup>
			130,25	24,04
 AW0796-TK ASI-YK 150	 AW0796 GC2-105	 AW4596	AĞIRLIK / Weight	
			1,849 kg/mt	



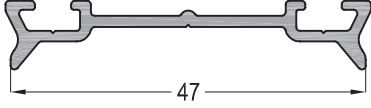


FC50-215-16			Jx cm <sup>4</sup>	Jy cm <sup>4</sup>
			197,20	30,30
			AĞIRLIK / Weight	
			2,148 kg/mt	



FC50-217-17			Jx cm <sup>4</sup>	Jy cm <sup>4</sup>
			359,28	34,78
			AĞIRLIK / Weight	
			2,485 kg/mt	

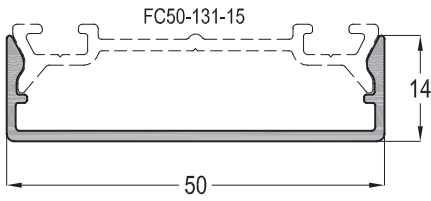
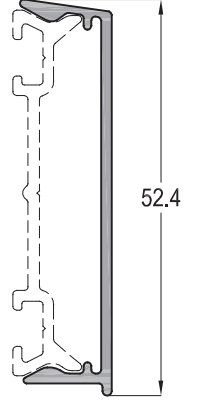




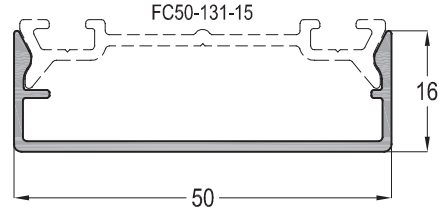
<b>FC50-131-15</b>
AĞIRLIK / Weight
0,305 kg/mt

FC50-131-15

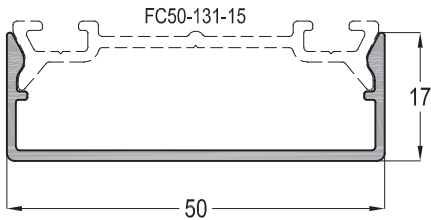
<b>FC50-038-14</b>
AĞIRLIK / Weight
0,284 kg/mt



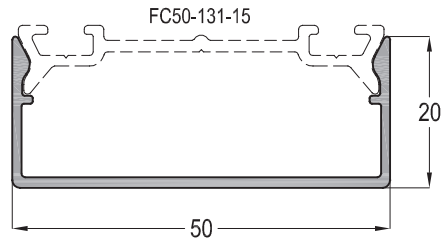
<b>FC50-037-14</b>
AĞIRLIK / Weight
0,296 kg/mt



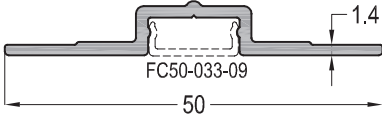
<b>FC50-032-14</b>
AĞIRLIK / Weight
0,314 kg/mt



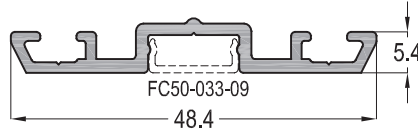
<b>FC50-031-14</b>
AĞIRLIK / Weight
0,315 kg/mt



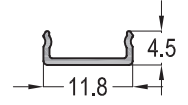
<b>FC50-036-14</b>
AĞIRLIK / Weight
0,335 kg/mt



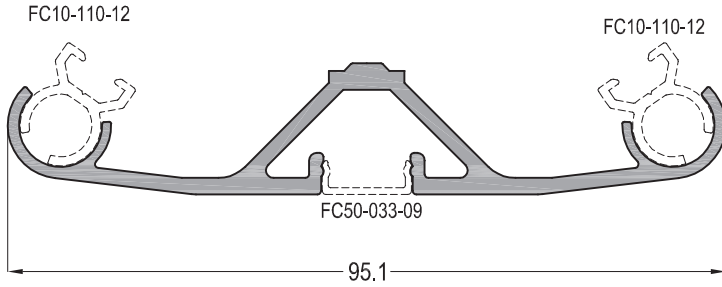
<b>FC50-132-14</b>
AĞIRLIK / Weight
0,257 kg/mt



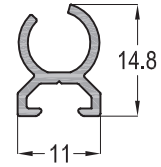
<b>FC50-135-15</b>
AĞIRLIK / Weight
0,322 kg/mt



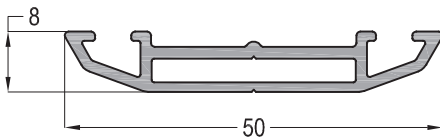
<b>FC50-033-09</b>
AĞIRLIK / Weight
0,043 kg/mt



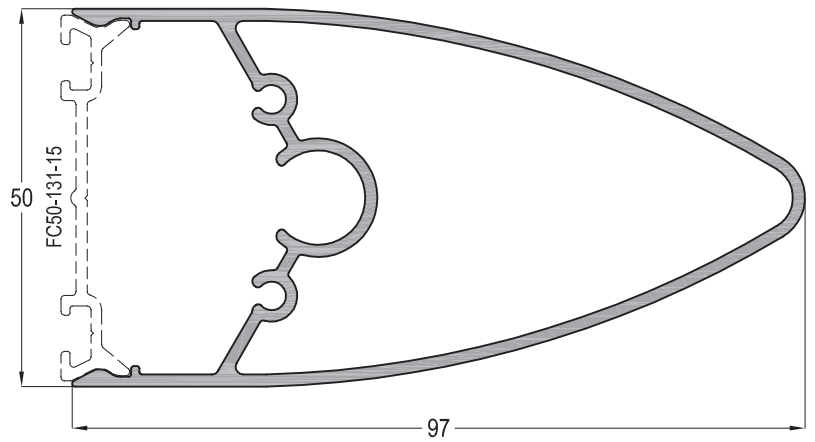
<b>FC50-039-20</b>
AĞIRLIK / Weight
0,867 kg/mt



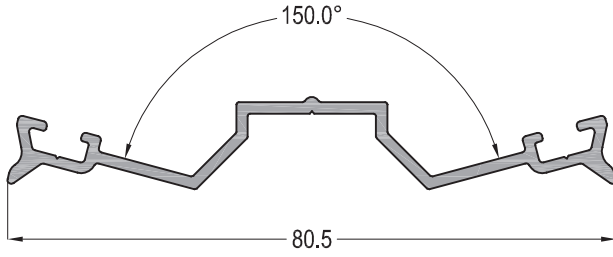
<b>FC10-110-12</b>
AĞIRLIK / Weight
0,132 kg/mt



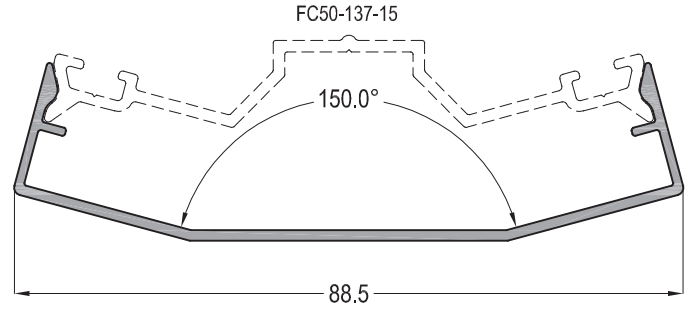
<b>FC50-139-16</b>
AĞIRLIK / Weight
0,401 kg/mt



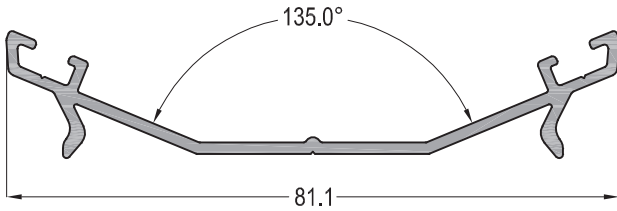
<b>FC50-035-14</b>
AĞIRLIK / Weight
1,263 kg/mt



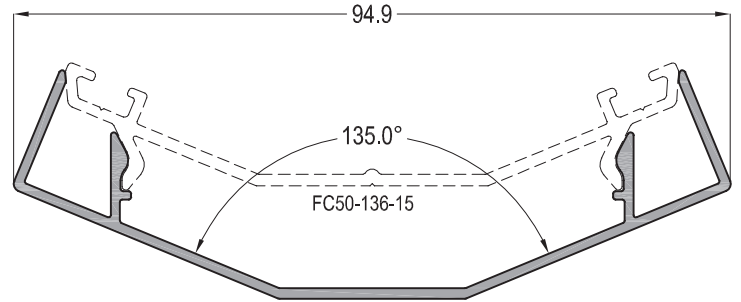
<b>FC50-137-15</b>
AĞIRLIK / Weight
0,486 kg/mt



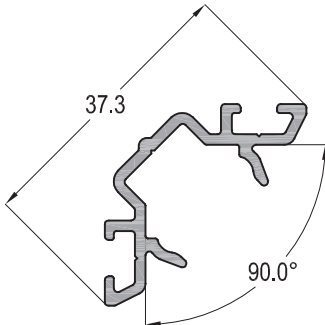
<b>FC50-037-15</b>
AĞIRLIK / Weight
0,486 kg/mt



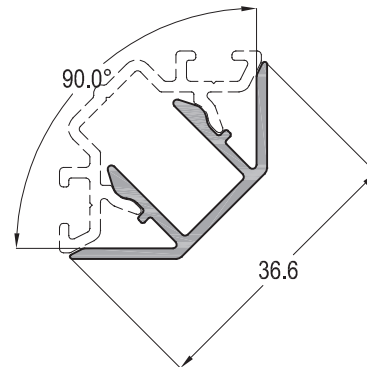
<b>FC50-136-15</b>
AĞIRLIK / Weight
0,514 kg/mt



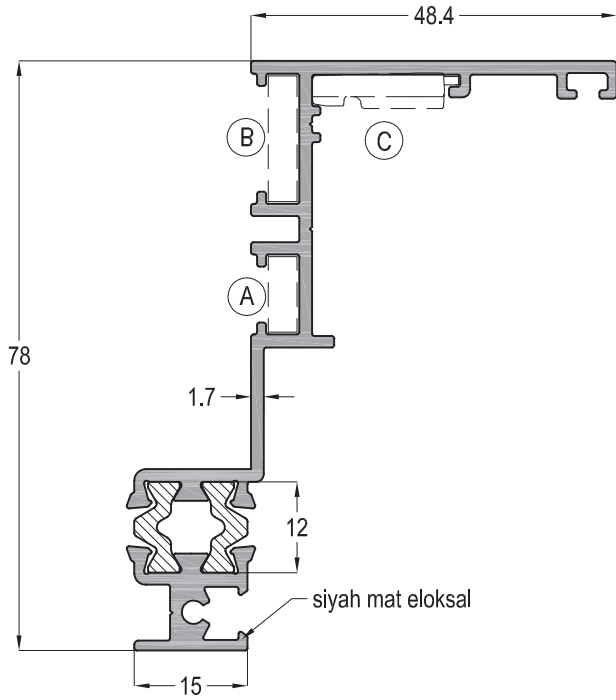
<b>FC50-136-14</b>
AĞIRLIK / Weight
0,570 kg/mt



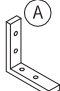


<b>FC50-133-14</b>
AĞIRLIK / Weight
0,305 kg/mt

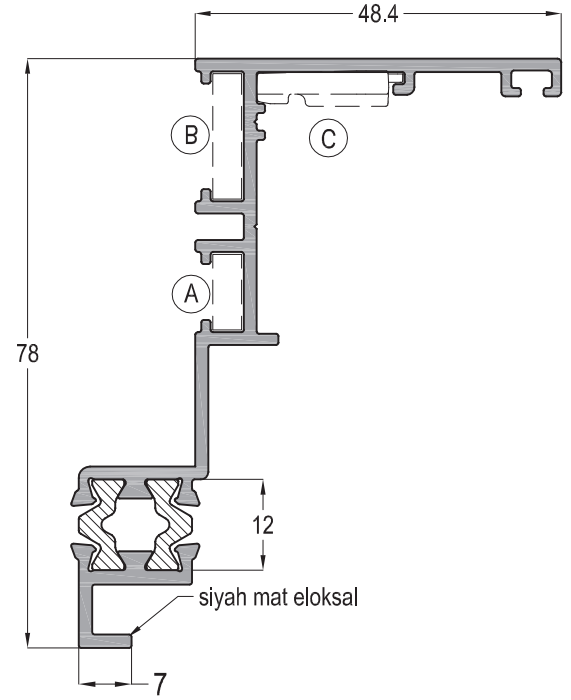


<b>FC50-034-15</b>
AĞIRLIK / Weight
0,278 kg/mt

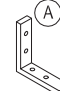




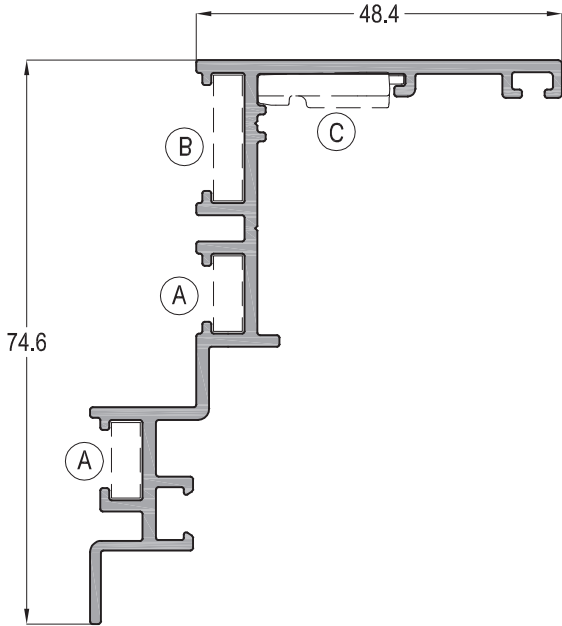
**FC50-121-15**

			AĞIRLIK / Weight
ASI-PB 0410	ASI-PB 0417	ASI-FUJI 2000	1,145 kg/mt

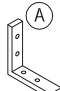




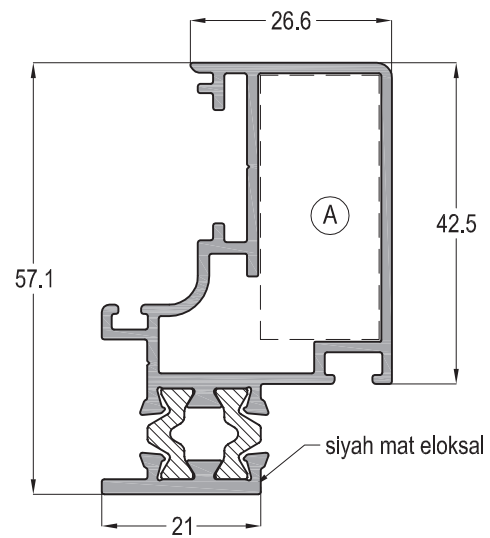
**FC50-221-15**

			AĞIRLIK / Weight
ASI-PB 0410	ASI-PB 0417	ASI-FUJI 2000	1,085 kg/mt




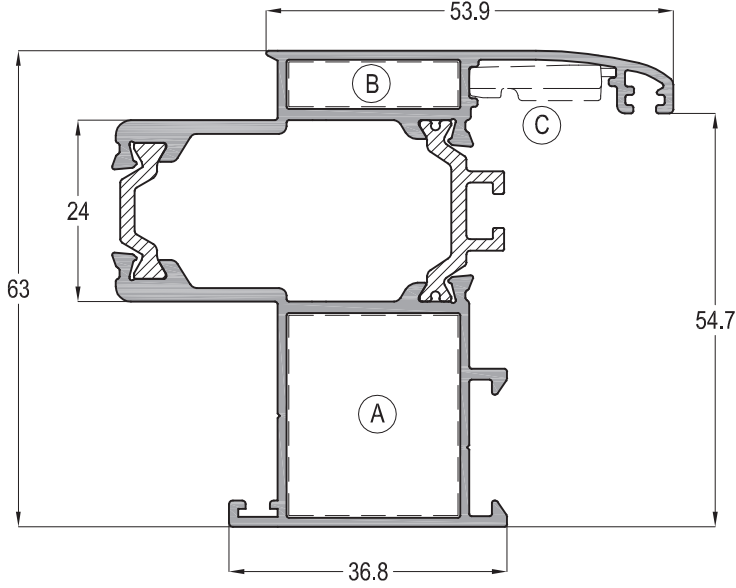
**FC50-122-18**

			AĞIRLIK / Weight
ASI-PB 0410	ASI-PB 0417	ASI-FUJI 2000	0,893 kg/mt



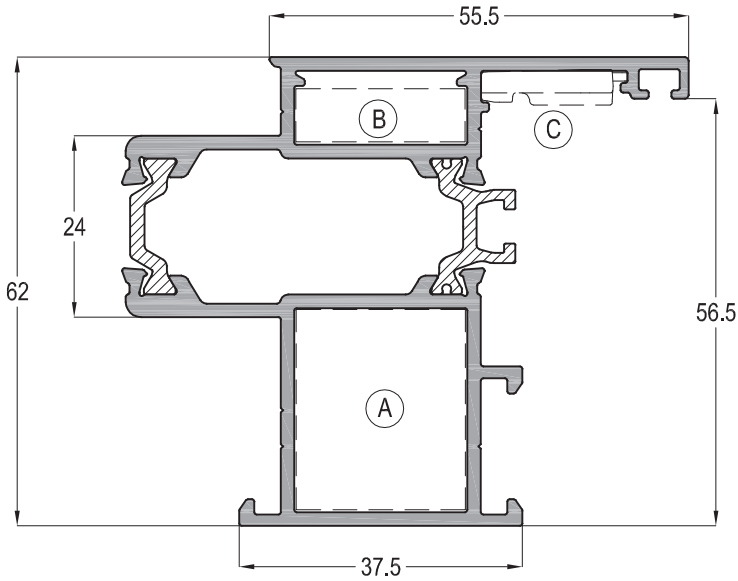
**FC50-323-15**

	AĞIRLIK / Weight
ASI-KT 1635	1,050 kg/mt



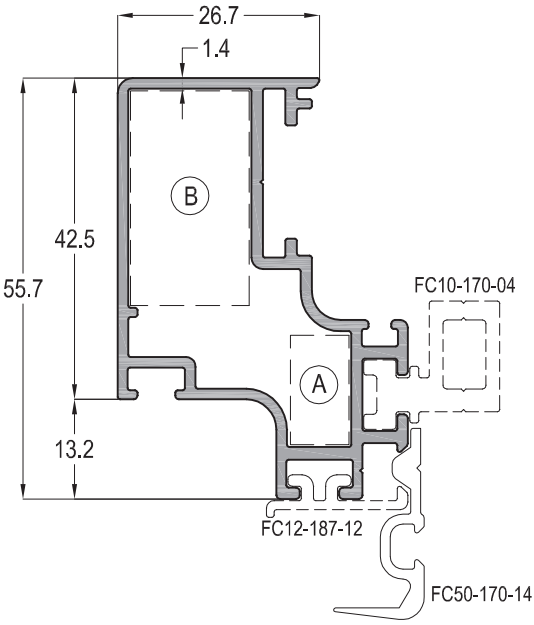
## TE62 47



			AĞIRLIK / Weight
			1,413 kg/mt

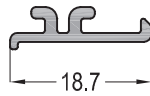


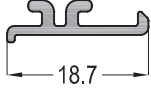
## TH62 47

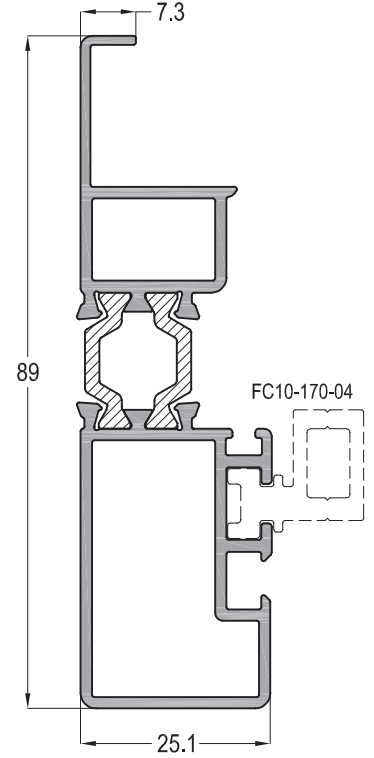
			AĞIRLIK / Weight
			1,699 kg/mt



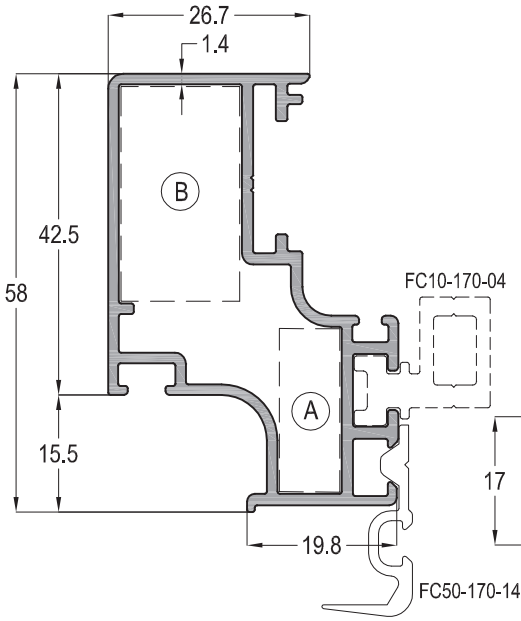
FC50-021-15		AĞIRLIK / Weight
 ASI-KT 0815	 ASI-KT 1628	0,841 kg/mt





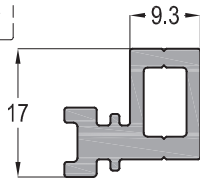
FC12-187-12 (Sadece Mat Siyah Eloksal)		AĞIRLIK / Weight
		0,109 kg/mt

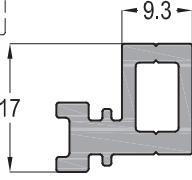


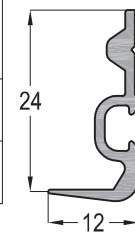
FC50-041-15		AĞIRLIK / Weight
		1,140 kg/mt



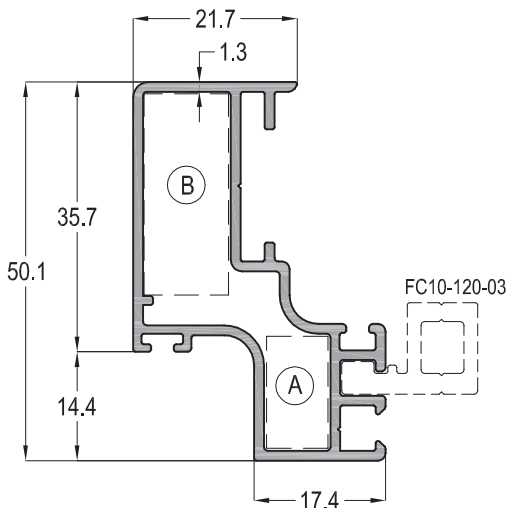
FC50-022-15 (Sadece Mat Eloksal)		AĞIRLIK / Weight
 ASI-KT 0822	 ASI-KT 1628	0,874 kg/mt





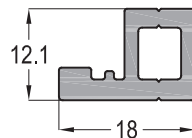
FC10-170-04		AĞIRLIK / Weight
		0,373 kg/mt

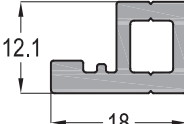


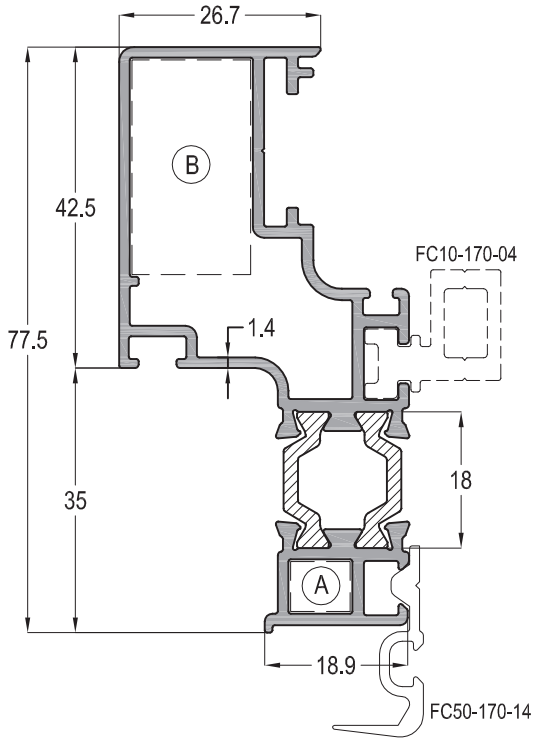
FC50-170-24 (Sadece Mat Siyah Eloksal)		AĞIRLIK / Weight
		0,183 kg/mt



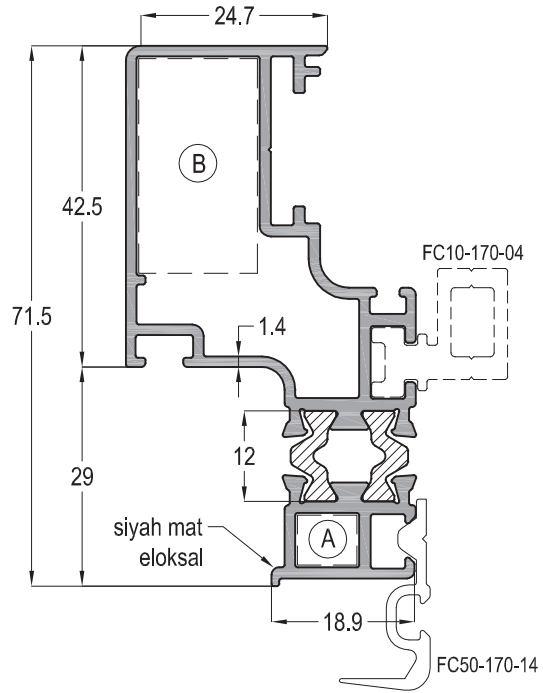
FC50-025-13 (Sadece Mat Eloksal)		AĞIRLIK / Weight
 ASI-KT 0815	 ASI-KT 1126	0,674 kg/mt



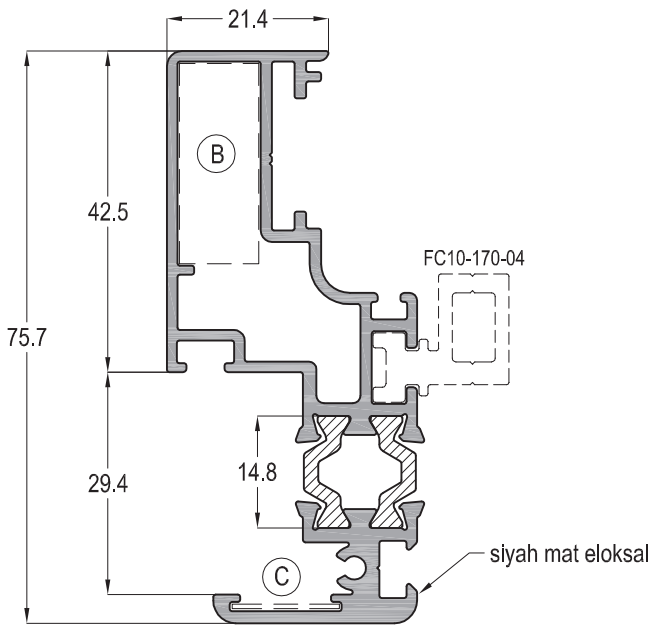
FC10-120-03		AĞIRLIK / Weight
		0,285 kg/mt



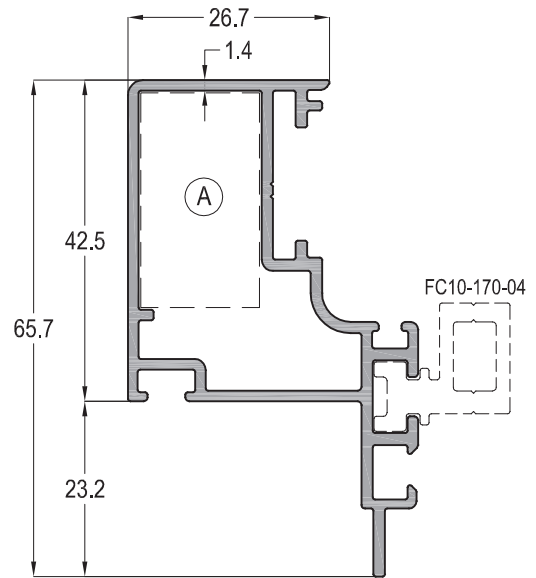
FC50-023-15		
		AĞIRLIK / Weight
ASI-KT 0807	ASI-KT 1628	1,238 kg/mt



FC50-123-15		
		AĞIRLIK / Weight
ASI-KT 0807	ASI-KT 1628	1,215 kg/mt

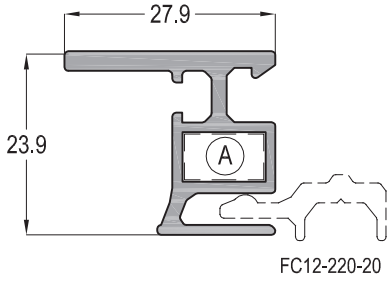



FC50-223-15		
		AĞIRLIK / Weight
ASI-PB 1126	ASI-SB 19.1	1,315 kg/mt

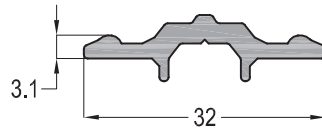


FC50-024-15	
	AĞIRLIK / Weight
ASI-KT 1628	0,850 kg/mt

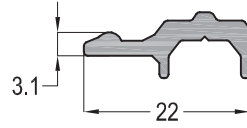




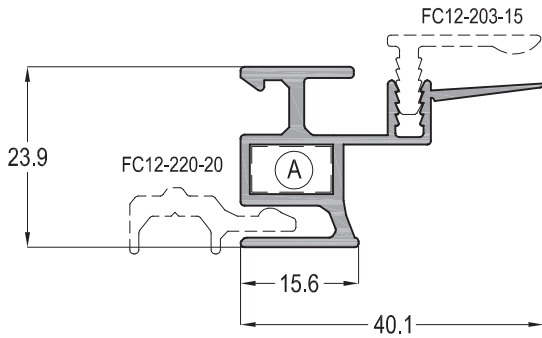
<b>FC12-239-13</b> (Sadece Mat Eloksal)	
 ASHKT 1106	AĞIRLIK / Weight
	0,475 kg/mt




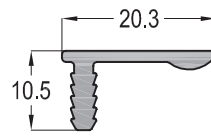
<b>FC12-320-20</b>	
AĞIRLIK / Weight	
0,263 kg/mt	



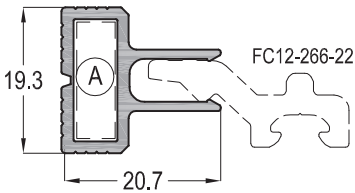
<b>FC12-220-20</b>	
AĞIRLIK / Weight	
0,193 kg/mt	




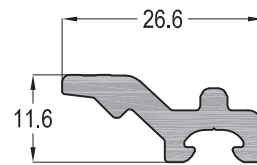
<b>FC12-401-13</b> (Sadece Mat Eloksal)	
 ASHKT 1106	AĞIRLIK / Weight
	0,467 kg/mt



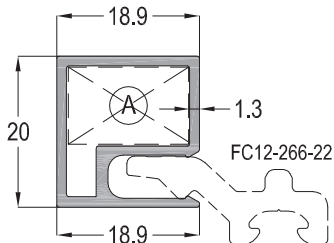
<b>FC12-203-15</b>	
AĞIRLIK / Weight	
0,162 kg/mt	



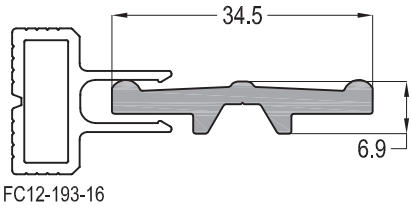
<b>FC12-193-16</b> (Sadece Mat Siyah Eloksal)	
 FC50-KT 01	AĞIRLIK / Weight
	0,287 kg/mt



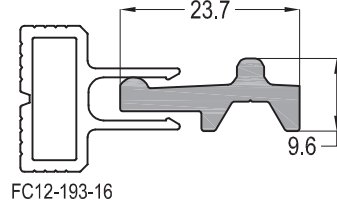
<b>FC12-266-22</b>	
AĞIRLIK / Weight	
0,344 kg/mt	



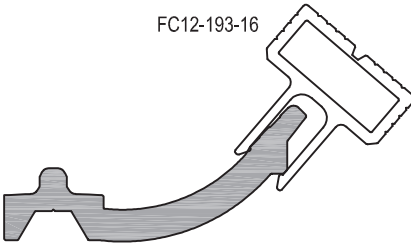
<b>FC12-193-06</b> (Sadece Mat Eloksal)	
 ASHKT 1610	AĞIRLIK / Weight
	0,304 kg/mt



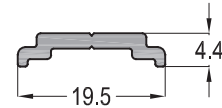
<b>FC12-034-30</b>
AĞIRLIK / Weight
0,350 kg/mt



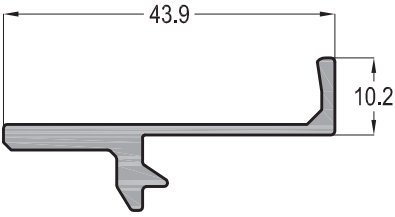
<b>FC12-023-30</b>
AĞIRLIK / Weight
0,275 kg/mt



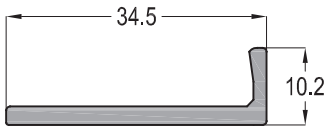
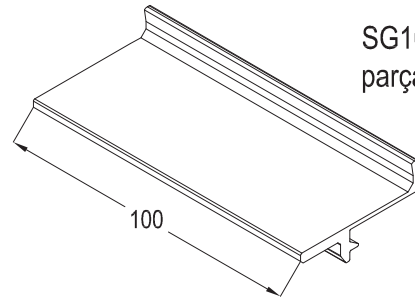
<b>FC12-039-40</b>
AĞIRLIK / Weight
0,529 kg/mt



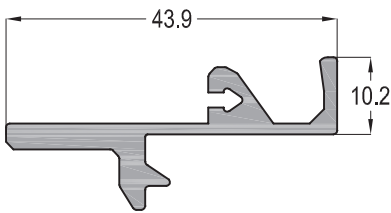
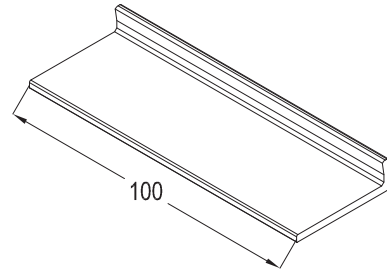
<b>FC12-195-20</b>
AĞIRLIK / Weight
0,120 kg/mt



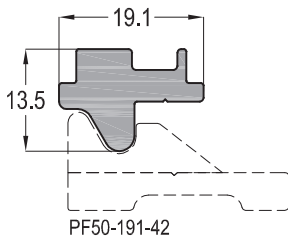
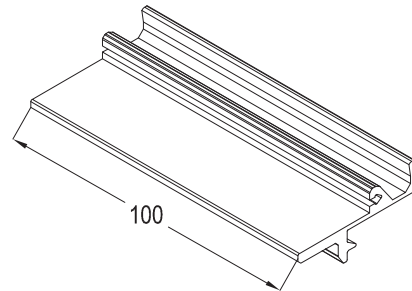
<b>FC12-043-14</b>
AĞIRLIK / Weight
0,397 kg/mt



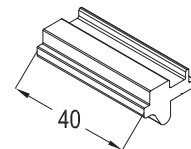
<b>FC12-344-25</b>
AĞIRLIK / Weight
0,270 kg/mt

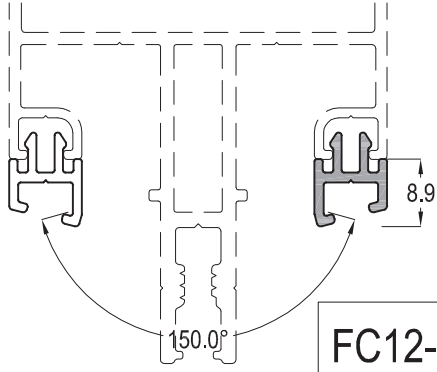


<b>FC12-438-14</b>
AĞIRLIK / Weight
0,491 kg/mt



<b>FC12-191-42</b>
AĞIRLIK / Weight
0,355 kg/mt

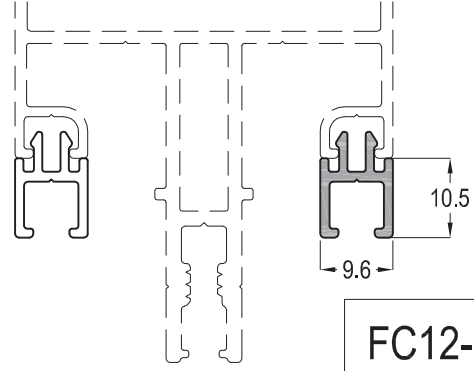




**FC12-067-12**

AĞIRLIK / Weight

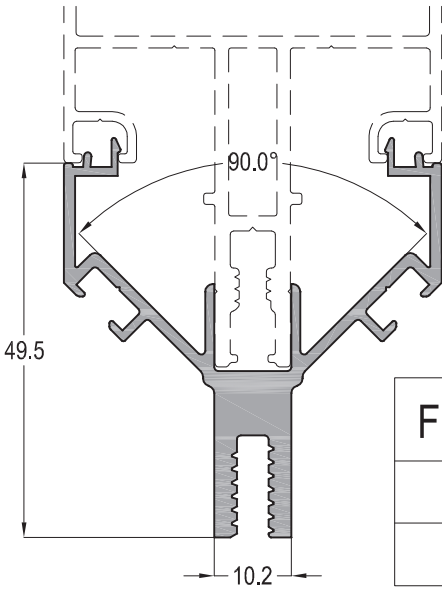
0,115 kg/mt



**FC12-117-12**

AĞIRLIK / Weight

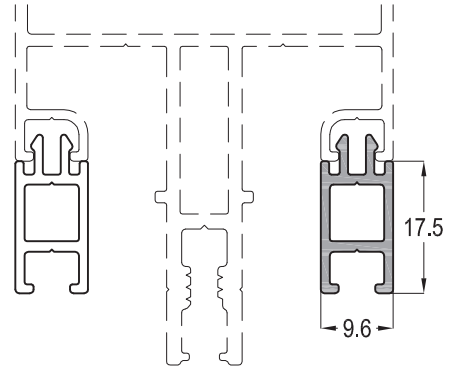
0,133 kg/mt



**FC50-134-15**

AĞIRLIK / Weight

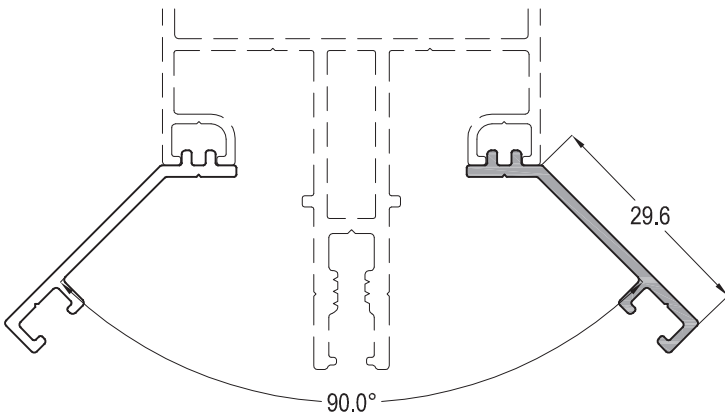
0,976 kg/mt



**FC12-177-12**

AĞIRLIK / Weight

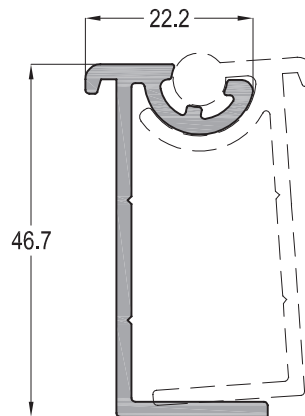
0,206 kg/mt



**FC12-036-15**

AĞIRLIK / Weight

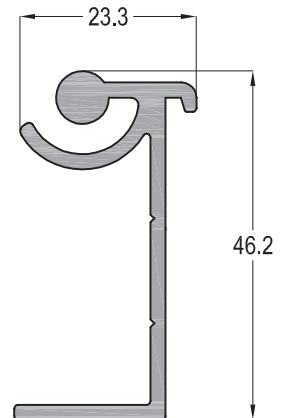
0,206 kg/mt



**FC12-200-20**

AĞIRLIK / Weight

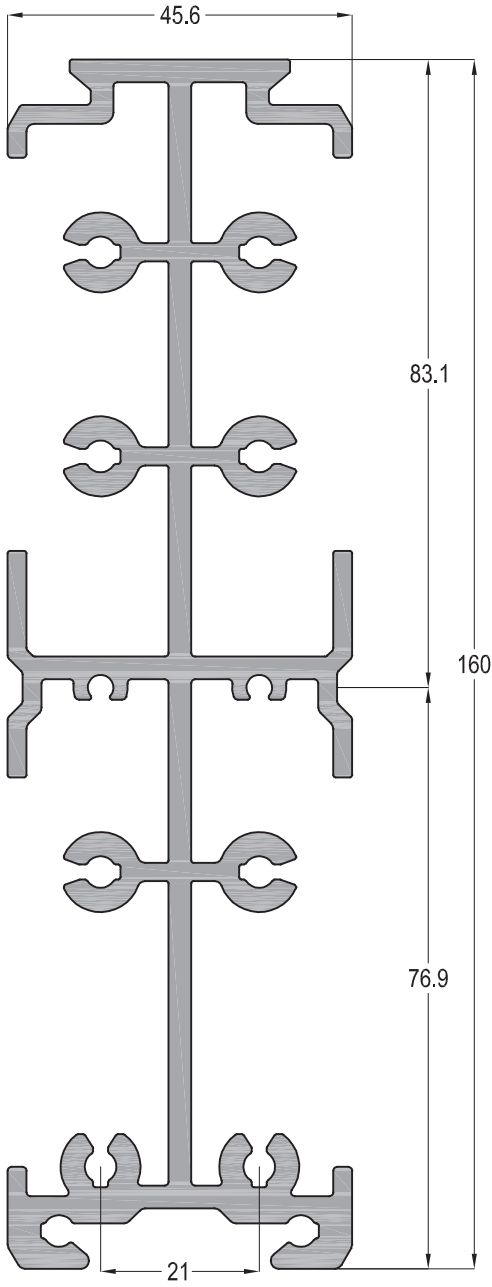
0,532 kg/mt



**FC12-210-20**

AĞIRLIK / Weight

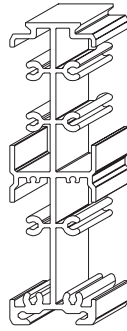
0,624 kg/mt



**FC10-160-03**

AĞIRLIK / Weight

4,664 kg/mt

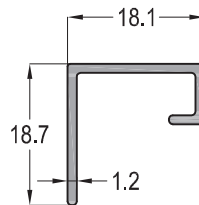
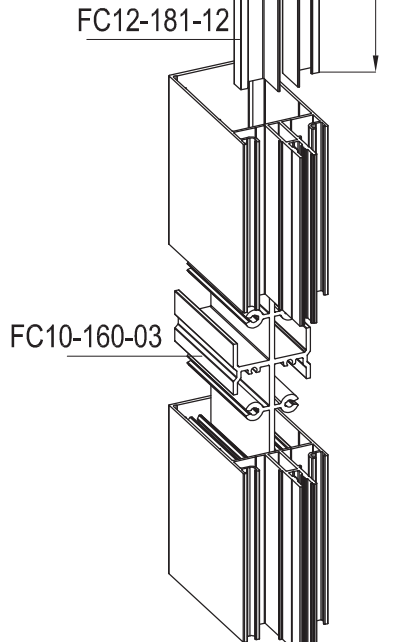
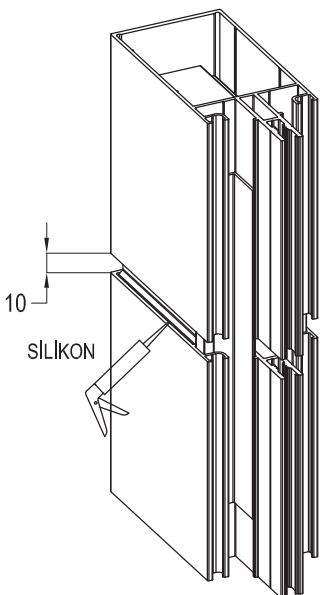


PARÇA KODU  
Accessories code

**DÜŞEY BAĞLANTI / DİLATASYON PROFİLİ SEÇİM  
TABLOSU**

Accessories Selection Table For Vertical Joint

PROFİL KODU Profile code	PARÇA KODU Accessories code	KESİM ÖLÇÜSÜ Cutting Size (mm)
FC50-011-16	AW4510	10,5
FC50-012-16	AW4530	30,5
FC50-013-16	AW4560	60,3
*FC50-113-16	AW4560	60,3
FC50-111-16	AW4560	60,3
FC50-010-16	AW4570	70,3
FC50-014-16	AW4580	80,3
*FC50-114-16	AW4580	80,3
FC50-015-16	AW4598	99
*FC50-115-16	AW4598	99
FC50-016-17	AW4518	118,5
FC50-017-18	AW4512	120,5
FC50-211-16	AW4526	26,5
FC50-212-16	AW4541	41
FC50-313-16	AW4556	56
FC50-213-16	AW4571	71
FC50-214-16	AW4596	96,5
FC50-215-16	AW4516	116,5
FC50-217-17	AW4514	145

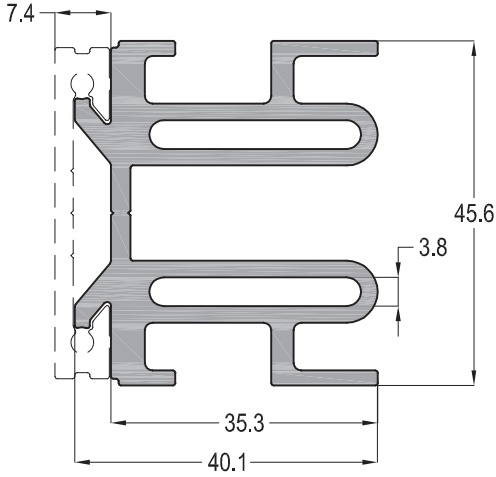


**FC12-181-12**

AĞIRLIK / Weight

0,149 kg/mt

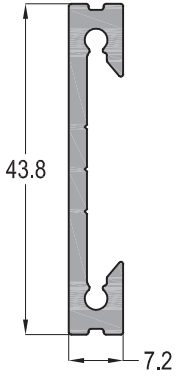
## KIZAKLI ( KIRLANGIÇ ) GEÇME BAĞLANTI TRANSOM JOINT BY SLIDING



**FC10-456-02**

AĞIRLIK / Weight

1,672 kg/mt



**FC10-438-02**

AĞIRLIK / Weight

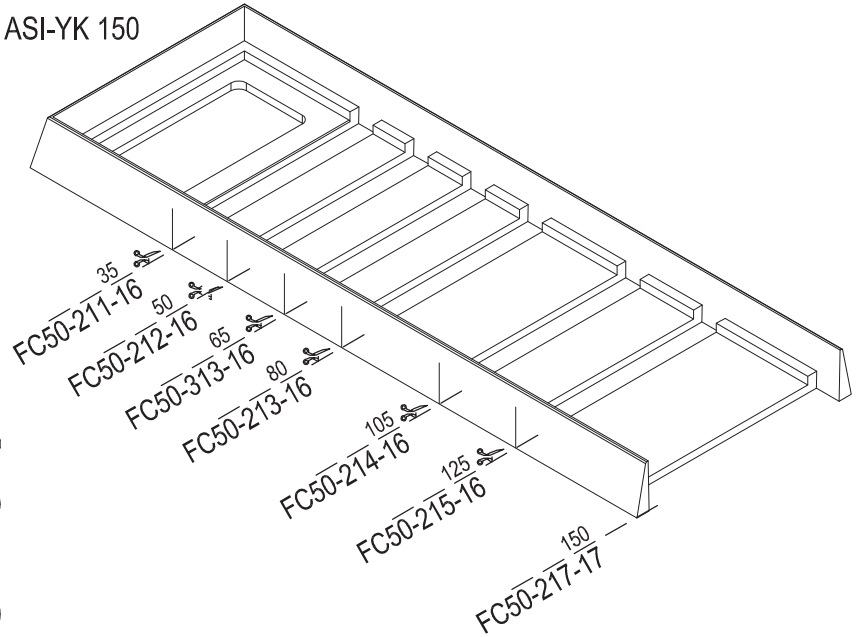
0,430 kg/mt

### KIZAKLI GEÇME YATAY BAĞLANTI SEÇİM TABLOSU Accessories Selection Table For Transom Sliding Joint

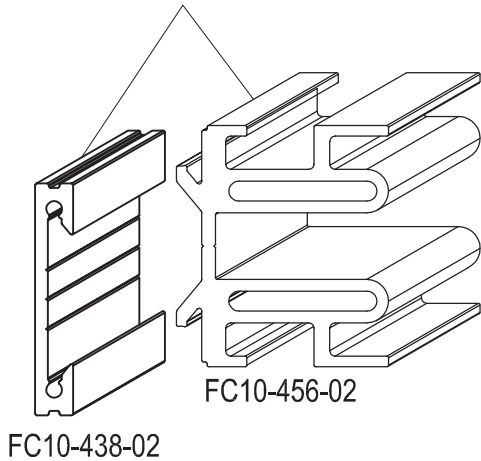
PROFİL KODU Profile code	PARÇA KODU Accessories code	KESİM ÖLÇÜSÜ Cutting Size (mm)
FC50-211-16	AW0725-TK	26,5
FC50-212-16	AW0741-TK	41
FC50-313-16	AW0756-TK	56
FC50-213-16	AW0771-TK	71
FC50-214-16	AW0796-TK	96,5
FC50-215-16	AW0716-TK	116,5
FC50-217-18	AW0745-TK	145

NOT: GENLEŞME CONTASI ASI-YK 150  
PROFİL ÖLÇÜSÜNDE KESİLİP KULLANILMALIDIR.

ASI-YK 150



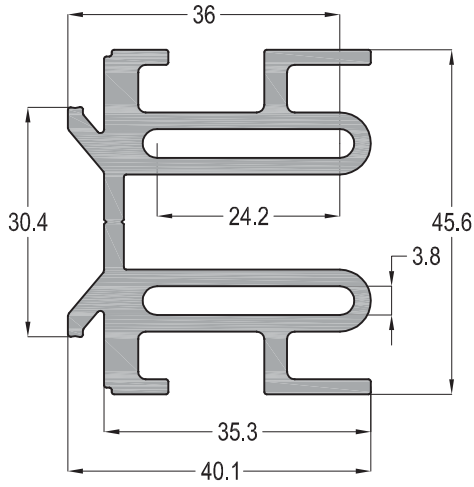
PARÇA KODU : AW07XX-TK  
Accessories code



FC10-438-02

FC10-456-02

YATAY "U" BAĞLANTI  
TRANSOM "U" TYPE JOINT

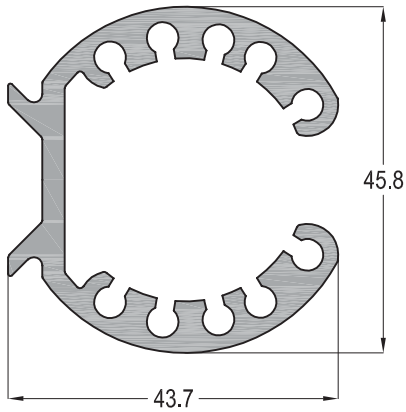
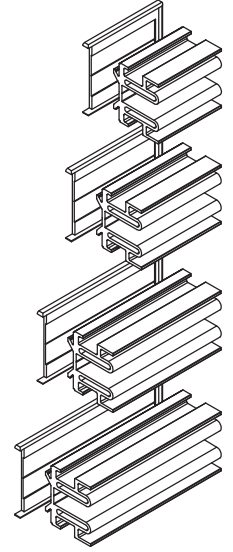


**FC10-456-02**

AĞIRLIK / Weight

1,672 kg/mt

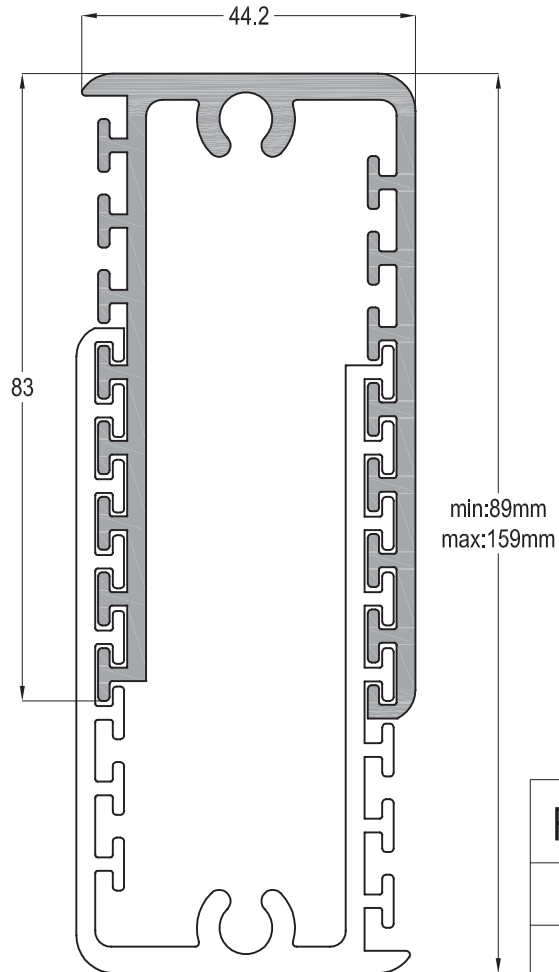
YATAY "U" BAĞLANTI SEÇİM TABLOSU Accessories Selection Table For Transom "U" Joint			
PROFİL KODU Profile code	PARÇA KODU Accessories code	GENLEŞME CONTASI T Joint Gasket	KESİM ÖLÇÜSÜ Cutting Size (mm)
FC50-211-16	AW0725	---	26,5
FC50-212-16	AW0741	GC2-050	41
FC50-313-16	AW0756	GC2-065	56
FC50-213-16	AW0771	GC2-080	71
FC50-214-16	AW0796	GC2-105	96,5
FC50-215-16	AW0716	GC2-125	116,5
FC50-217-18	AW0745	---	145



**FC10-462-02**

AĞIRLIK / Weight

1,317 kg/mt



**FC10-161-25**

AĞIRLIK / Weight

2,198 kg/mt

**FC50-AS SERİSİ**  
**KONDENS KANALLI (KERTMELİ) SİSTEM**  
**CURTAIN WALL SYSTEM FC50-AS SERIES**

**KAPAKLI CEPHE DETAYLARI / FC50-AS1**  
CURTAIN WALL SYSTEM DETAILS / FC50-AS1

**YARI KAPAKLI CEPHE DETAYLARI / FC50-AS2**  
SEMI COVER CURTAIN WALL SYSTEM DETAILS / FC50-AS2

**KASETLİ SİLİKON CEPHE DETAYLARI / FC50-AS3**  
STRUCTUREL SILICONE CURTAIN  
WALL SYSTEM DETAILS / FC50-AS3

**EKONOMİK SİLİKON CEPHE DETAYLARI / FC50-AS4**  
ECO STRUCTUREL SILICONE CURTAIN  
WALL SYSTEM DETAILS / FC50-AS4

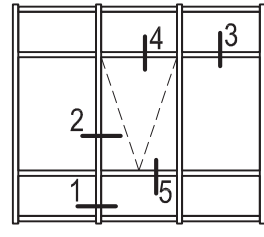
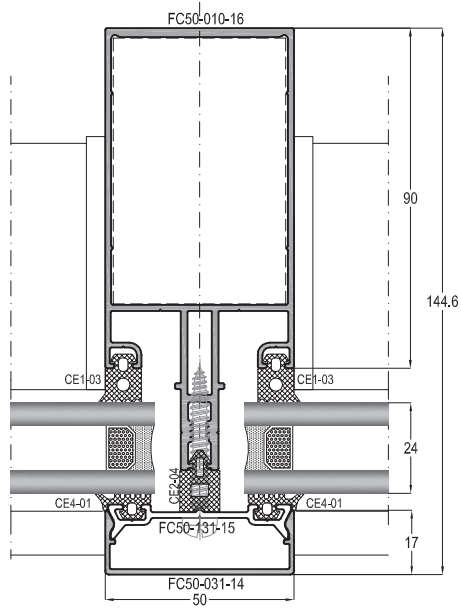
**CAM İÇİ ÇİTALİ SİLİKON CEPHE DETAYLARI / FC50-AS5**  
4 SIDE STRUCTUREL SILICONE CURTAIN  
WALL SYSTEM DETAILS / FC50-AS5

**FC50-AS1 SİSTEM DETAYLARI**  
FC50-AS1 SYSTEM DETAILS

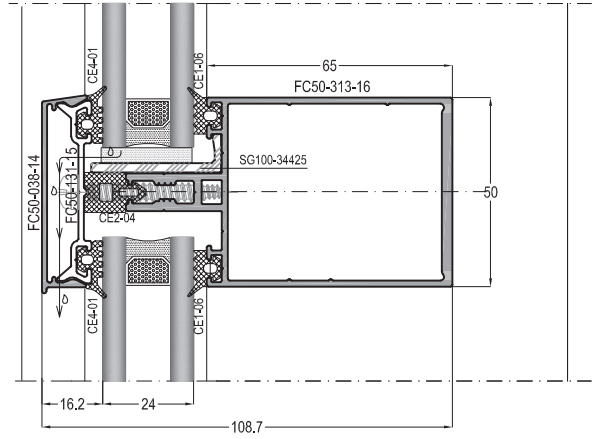
ALIAS  
SİSTEM  
SİSTEM



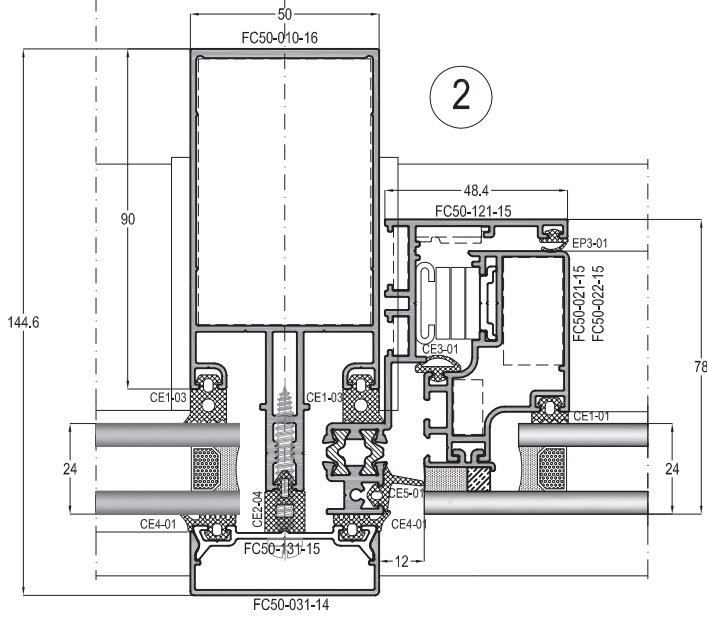
1



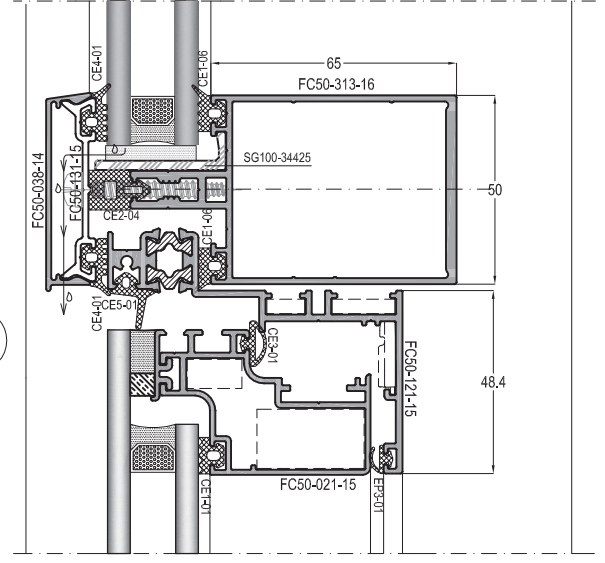
3



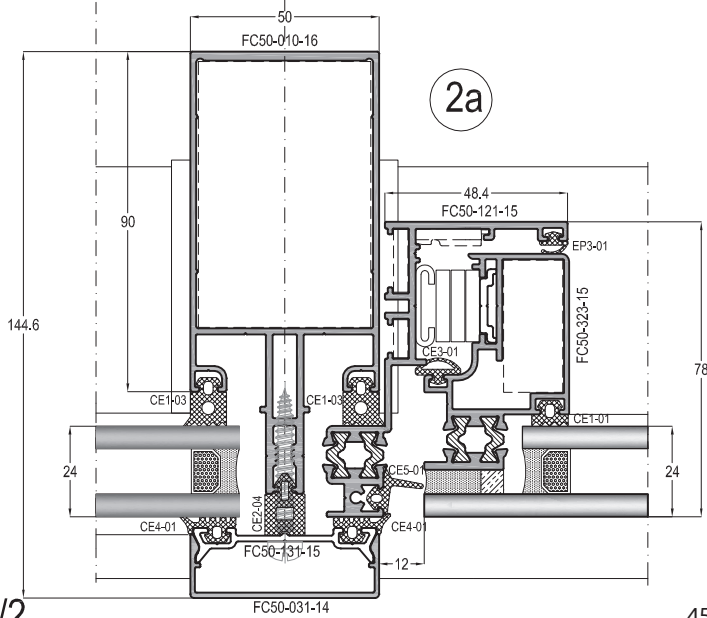
2



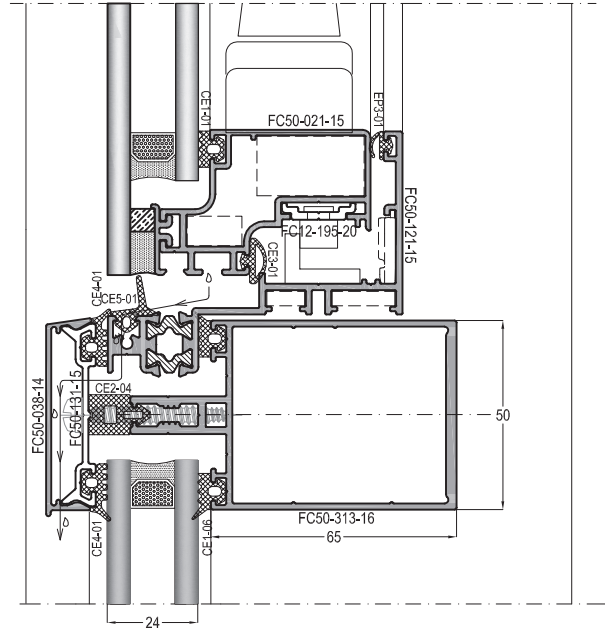
4

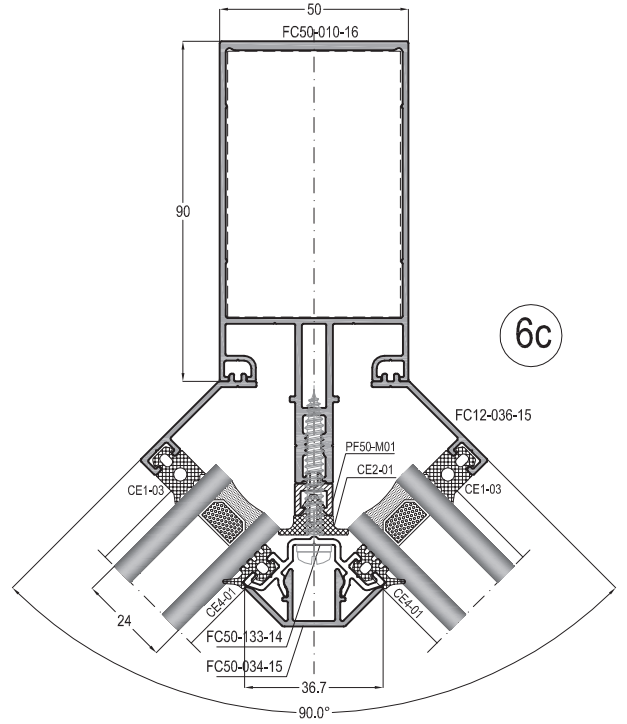
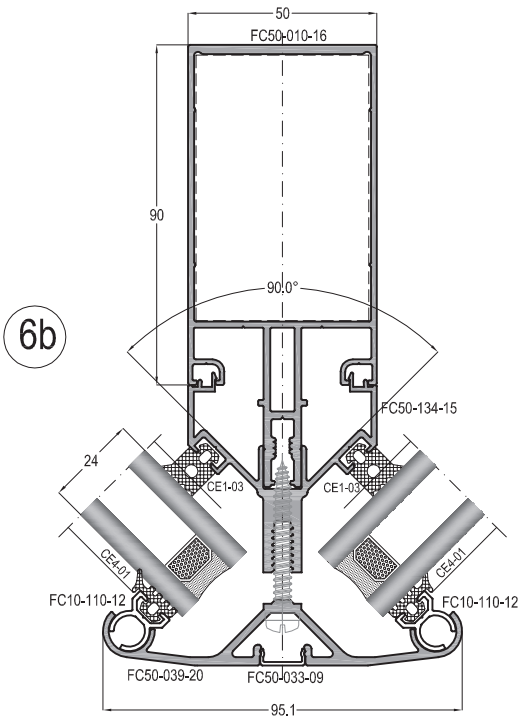
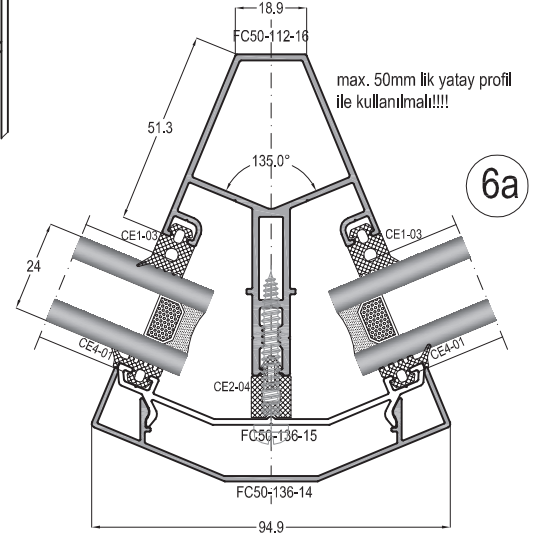
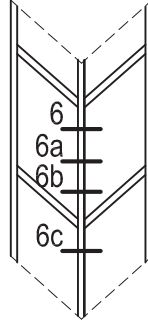
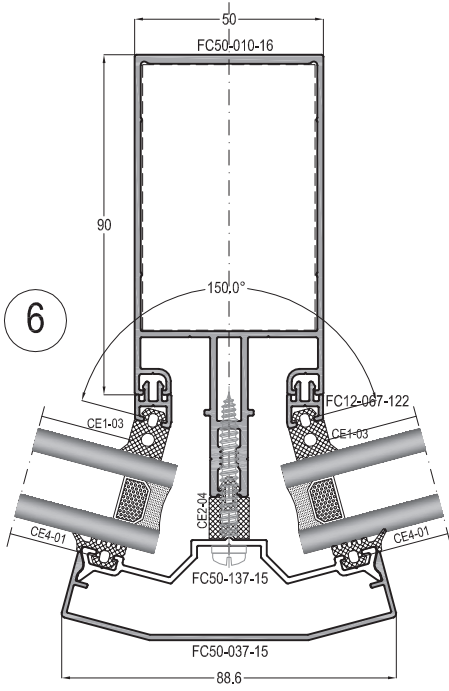


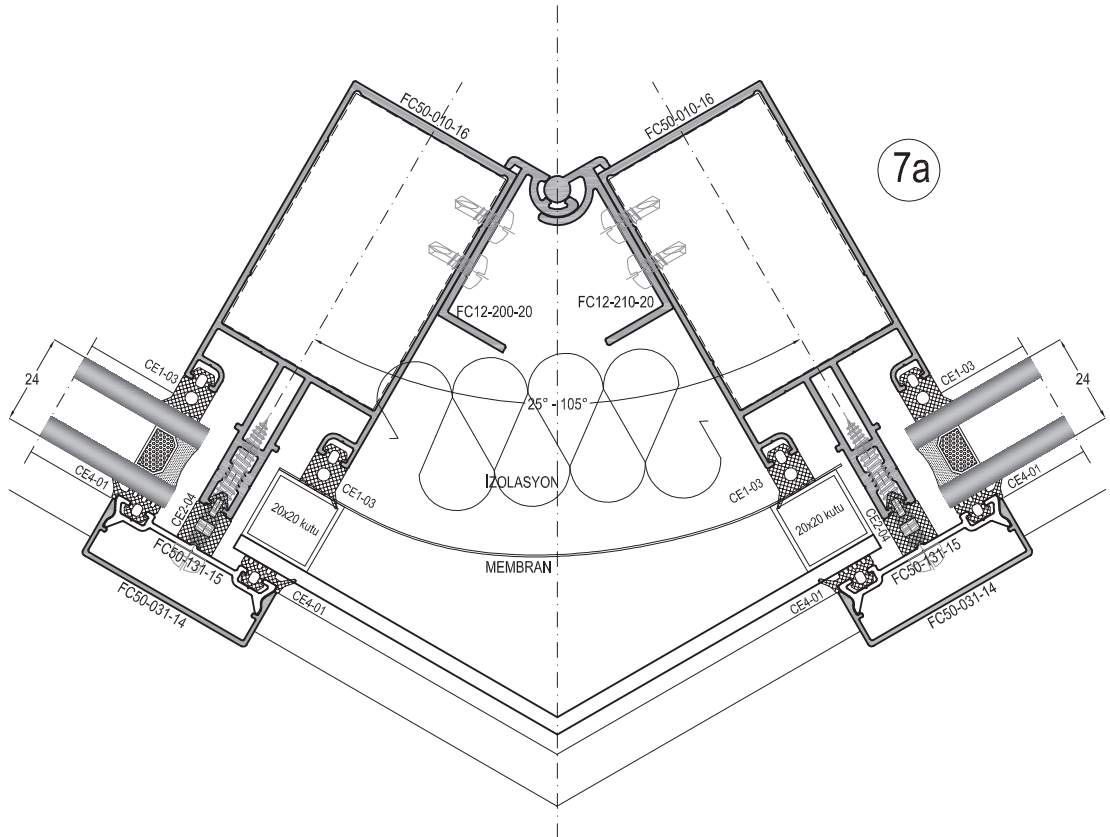
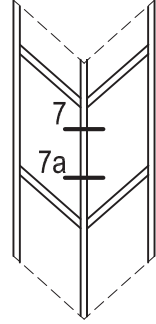
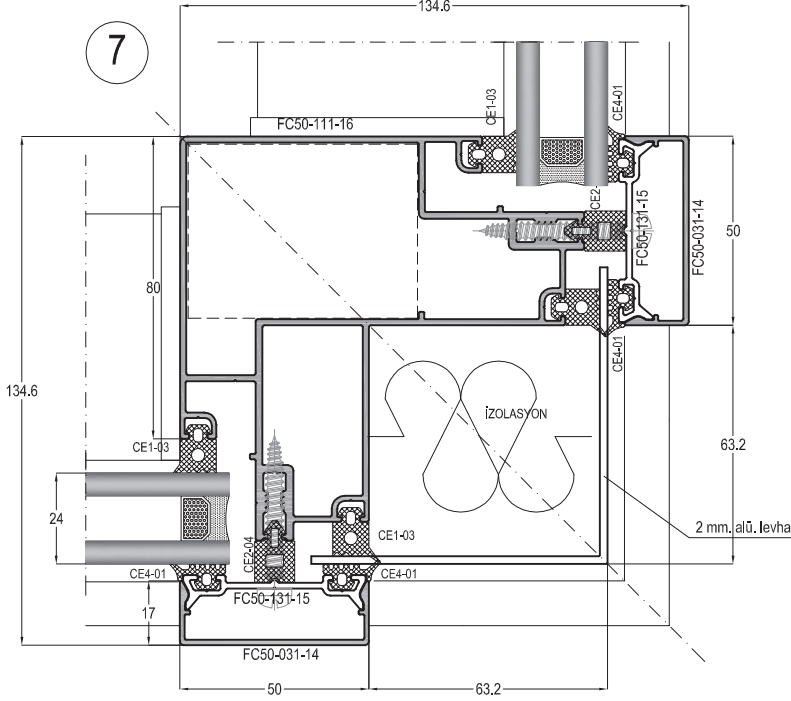
2a

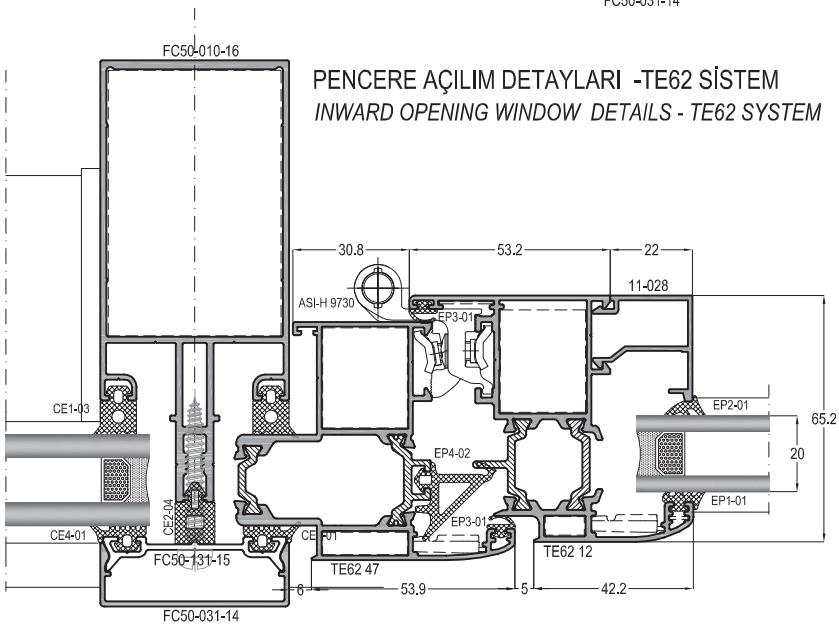
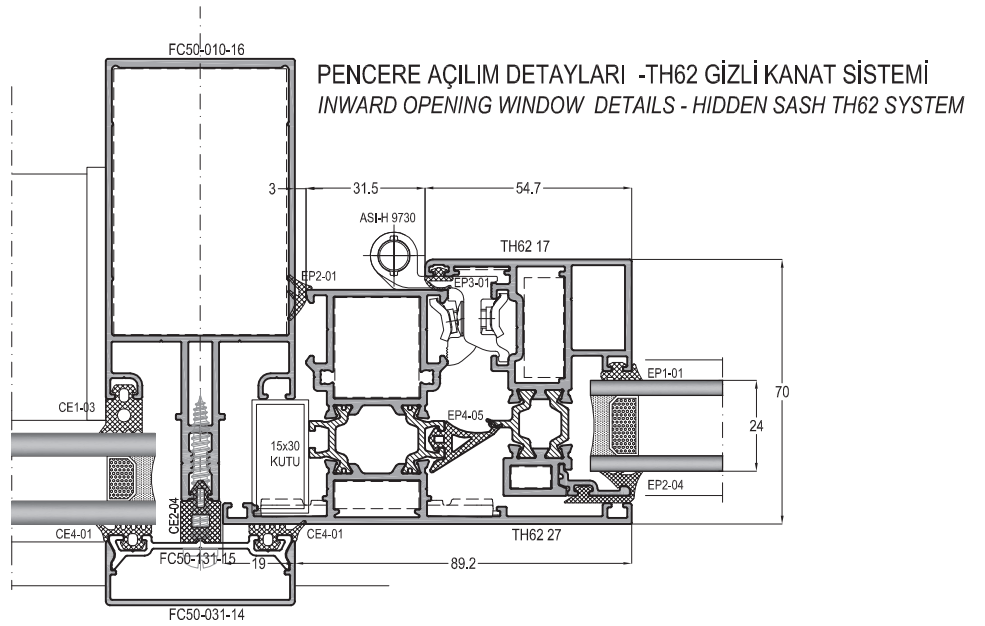
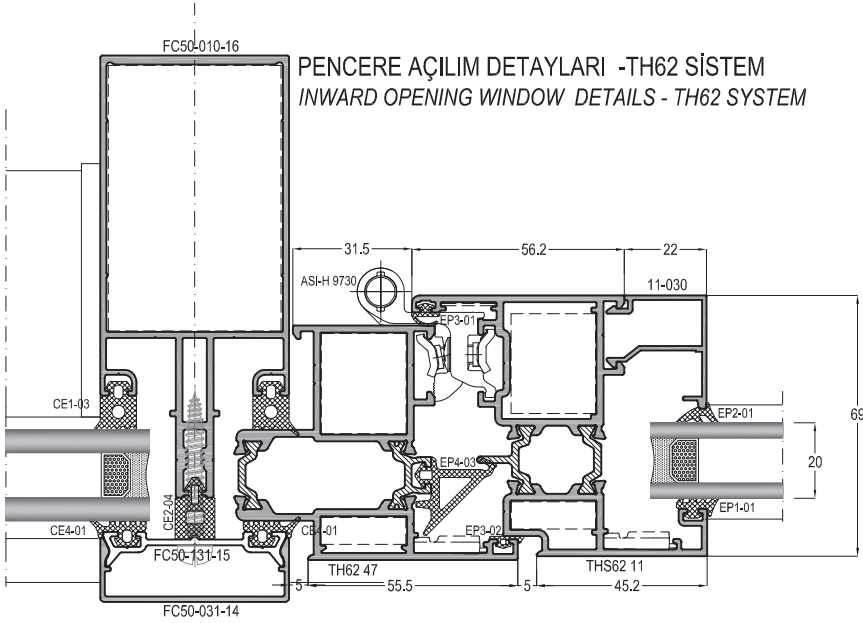


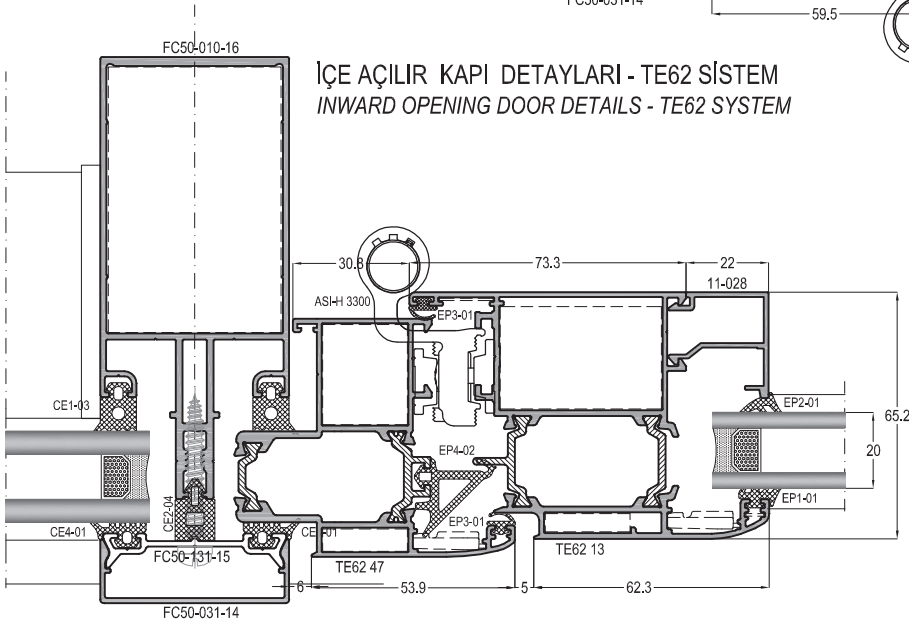
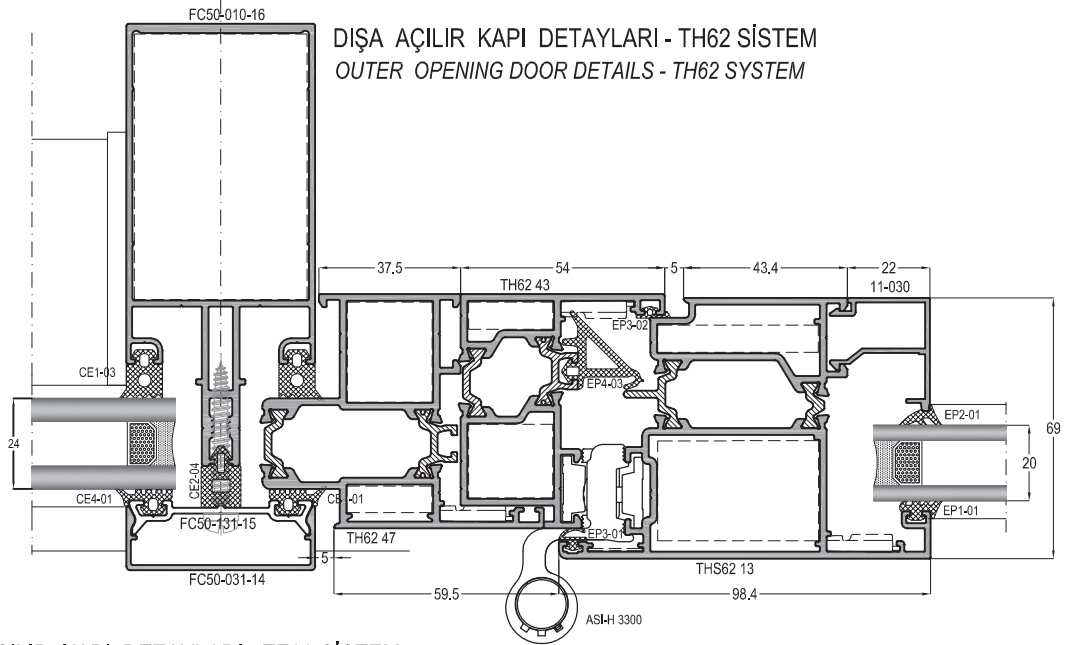
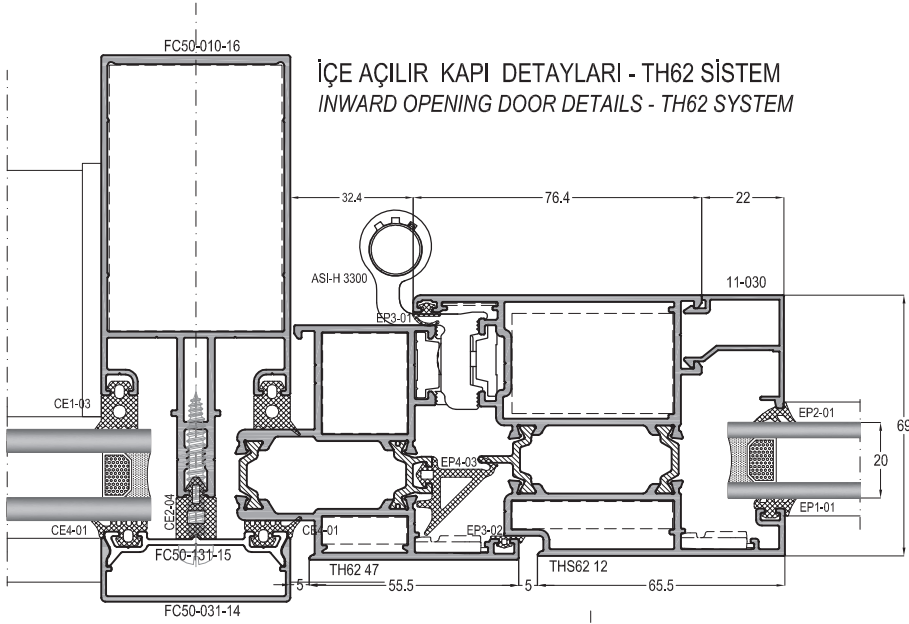
5

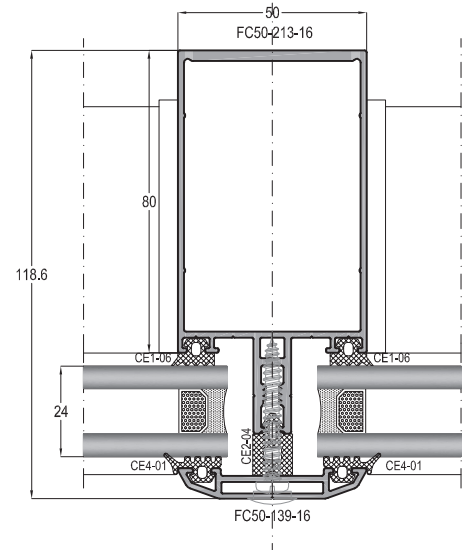
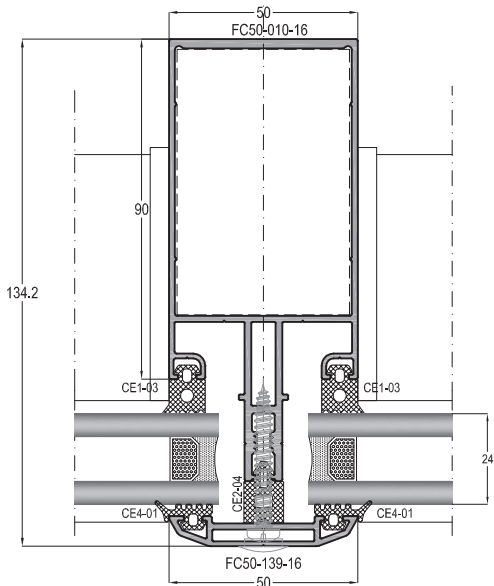
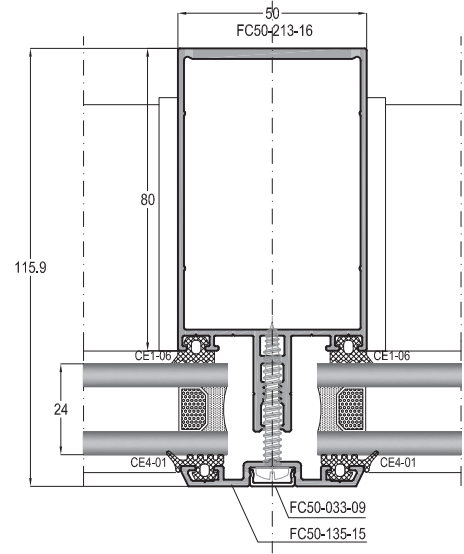
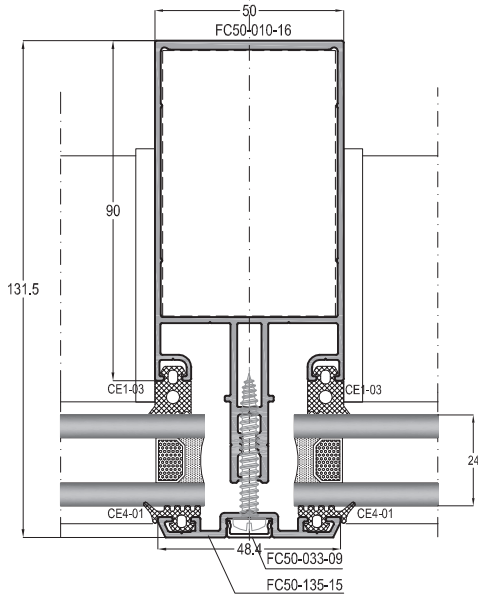
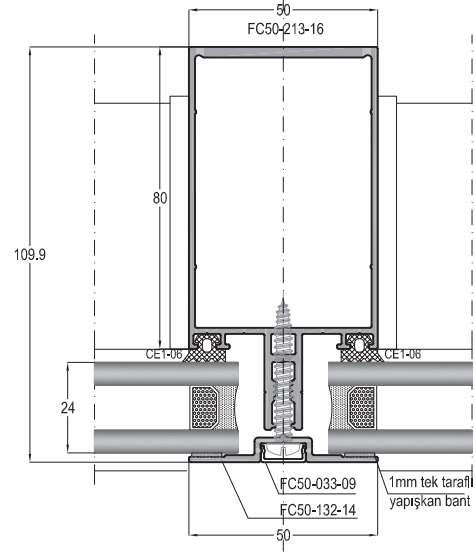
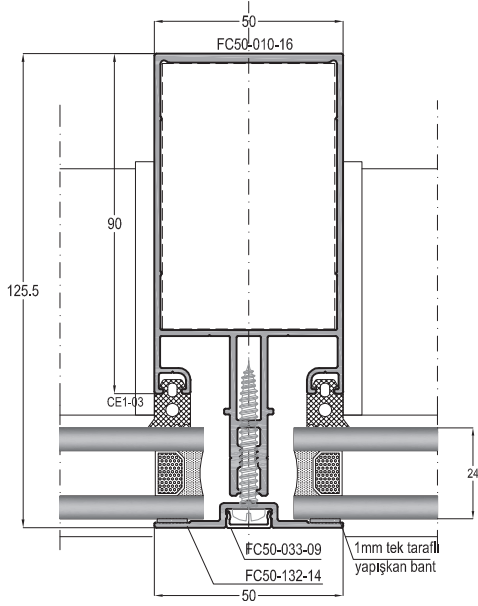




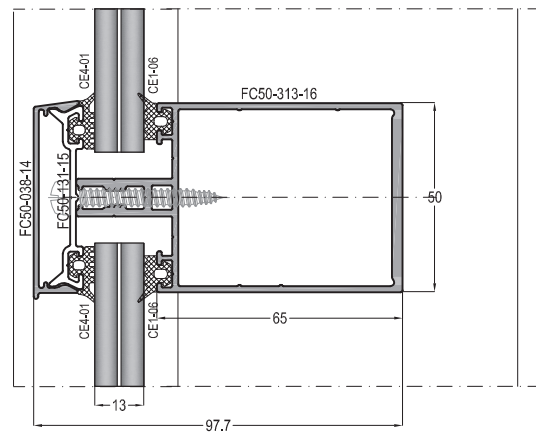
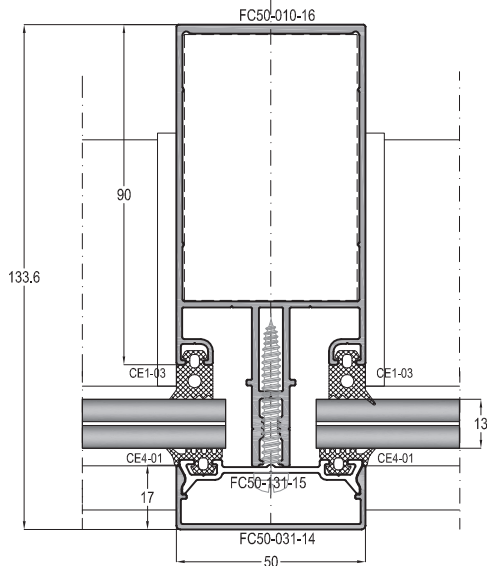
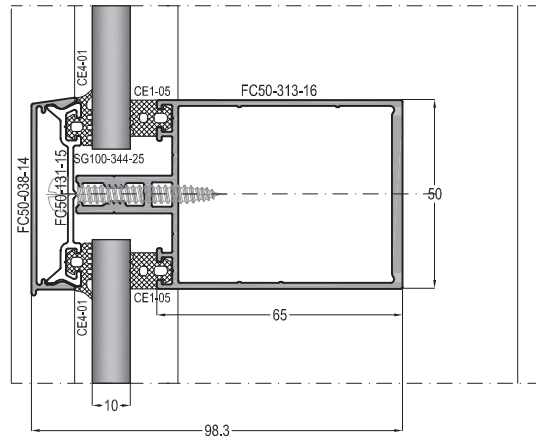
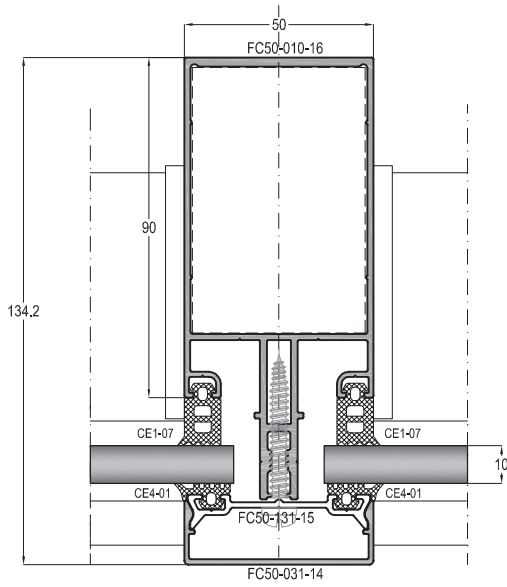
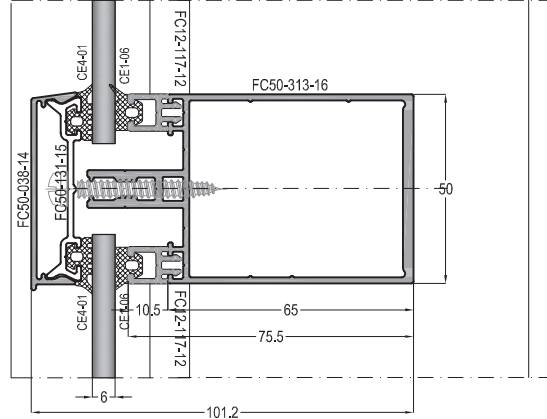
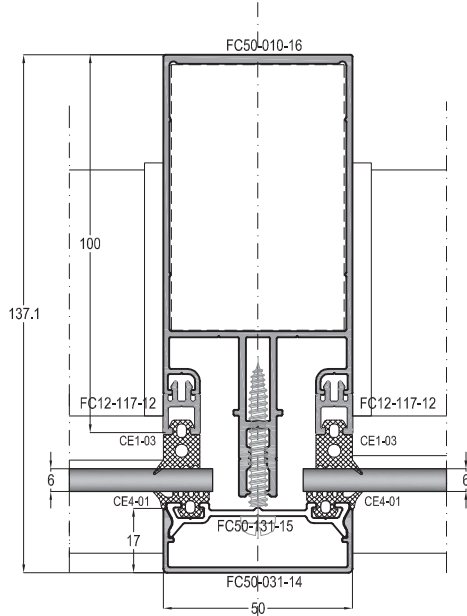


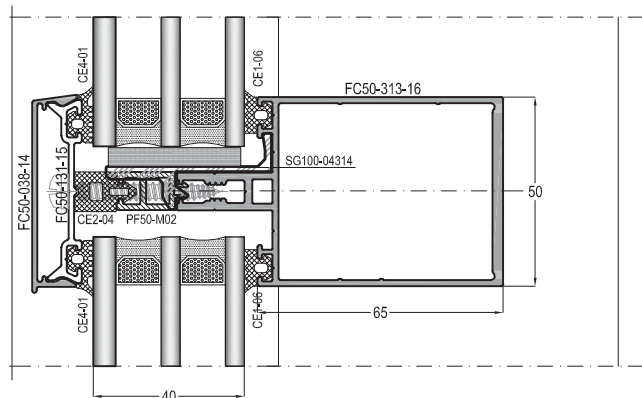
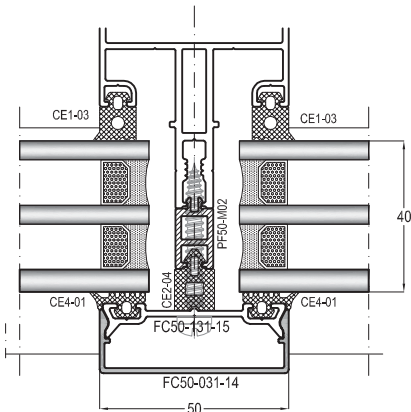
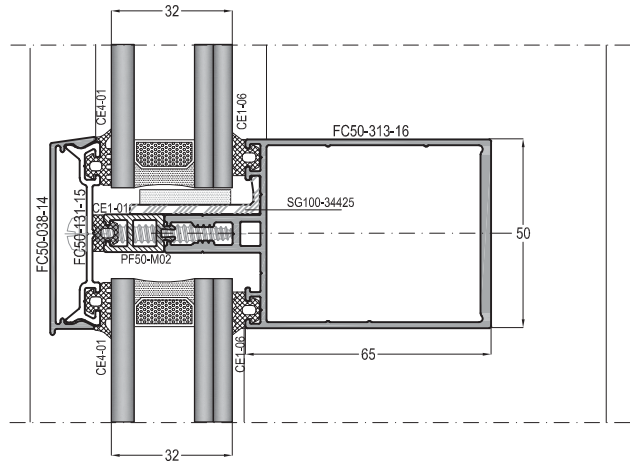
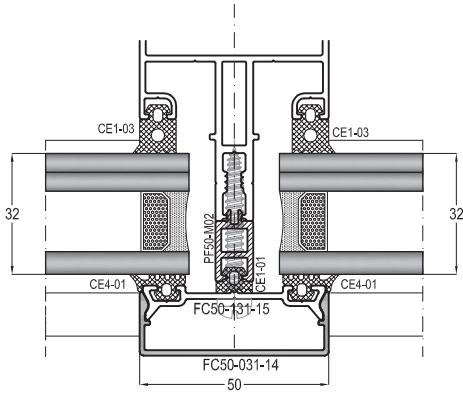
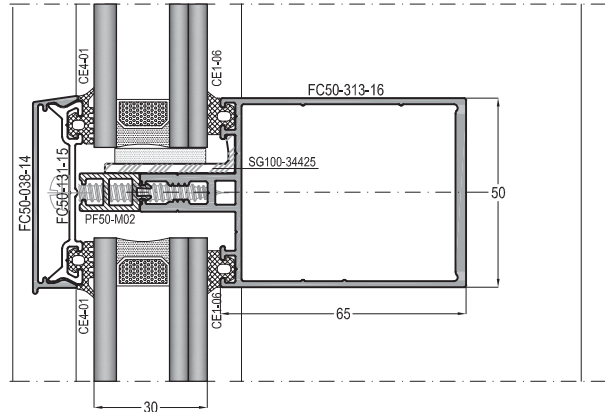
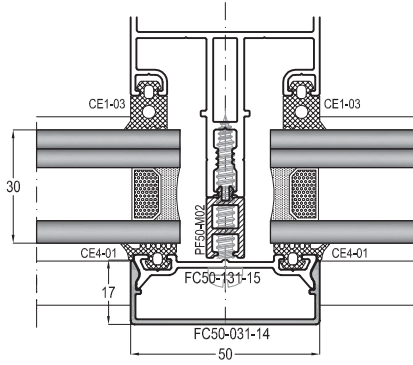
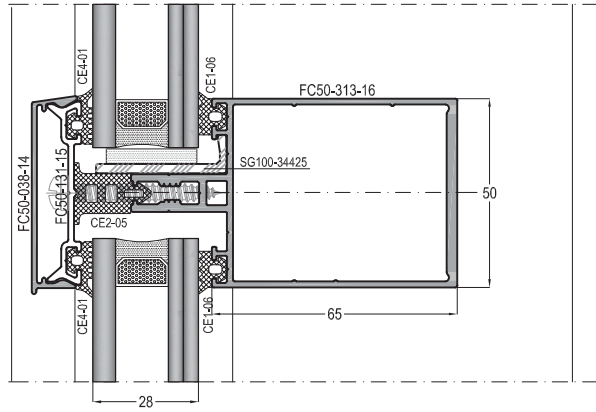
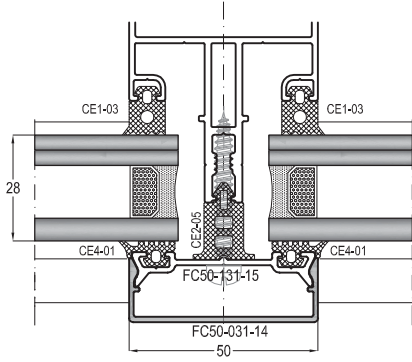






### KAPAKLI CEPHE CAM SEÇENEKLERİ CURTAIN WALL SYSTEM GLASS THICKNESS

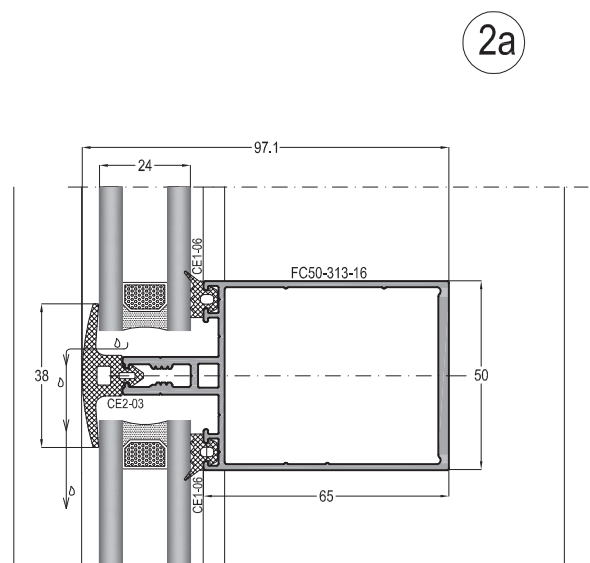
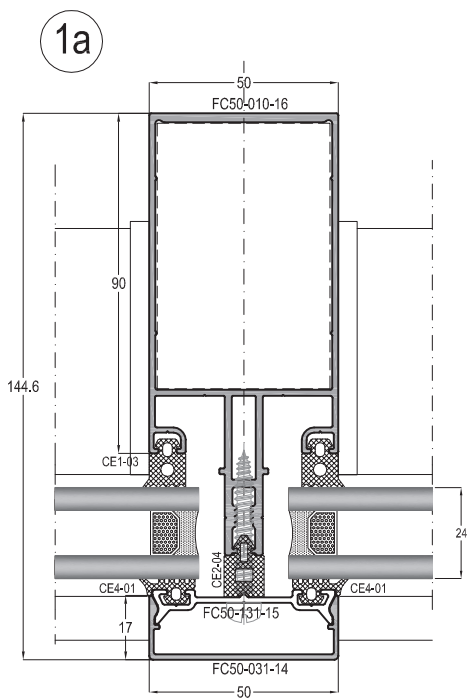
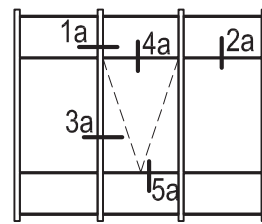
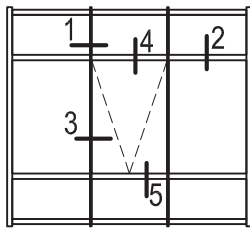
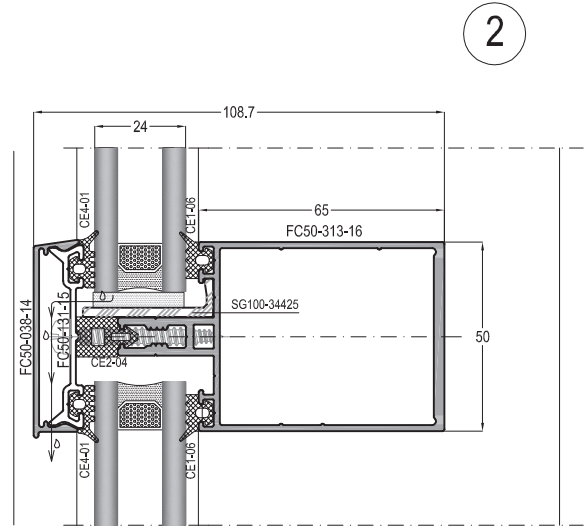
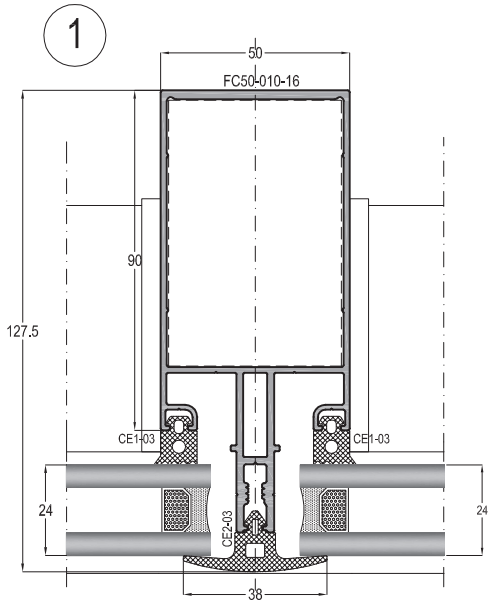


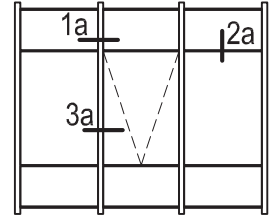
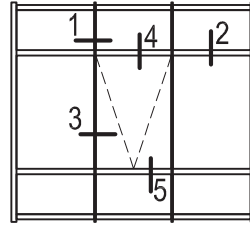
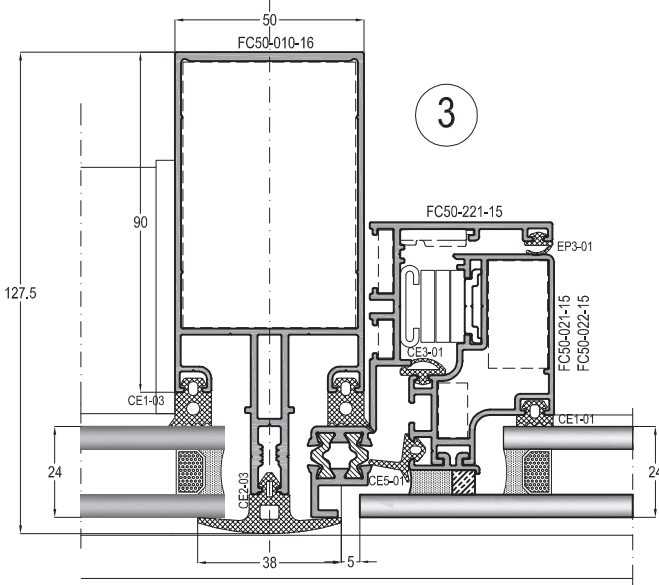




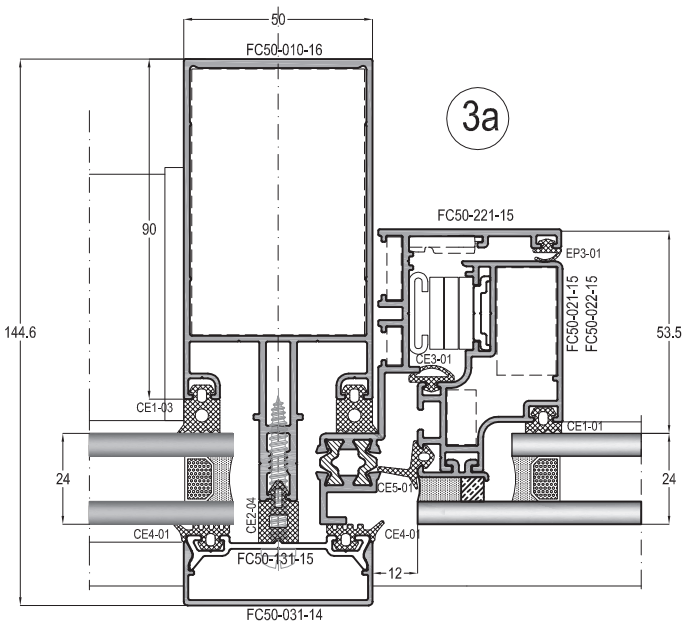
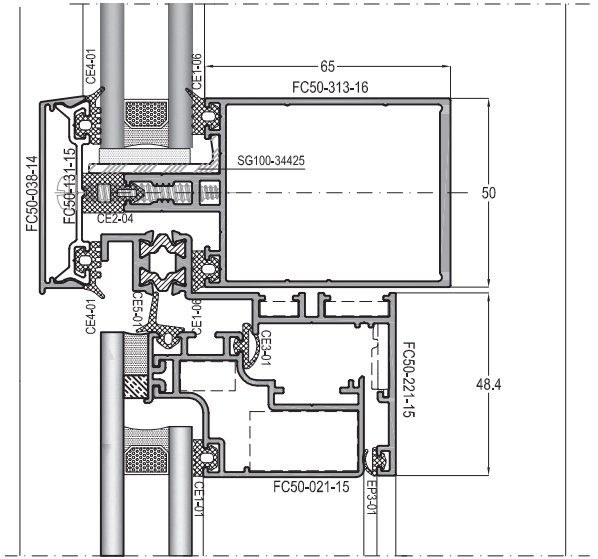
**FC50-AS2 SİSTEM DETAYLARI**  
FC50-AS2 SYSTEM DETAILS

ALIAS  
ASISTAN  
SISTAN

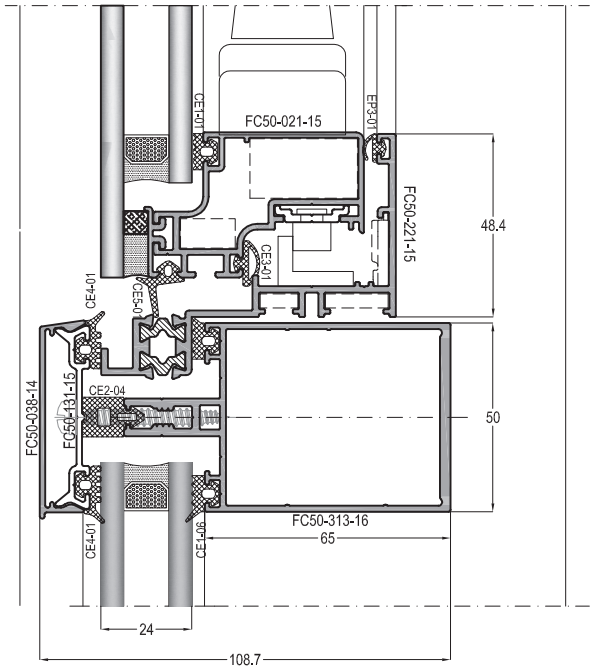




4

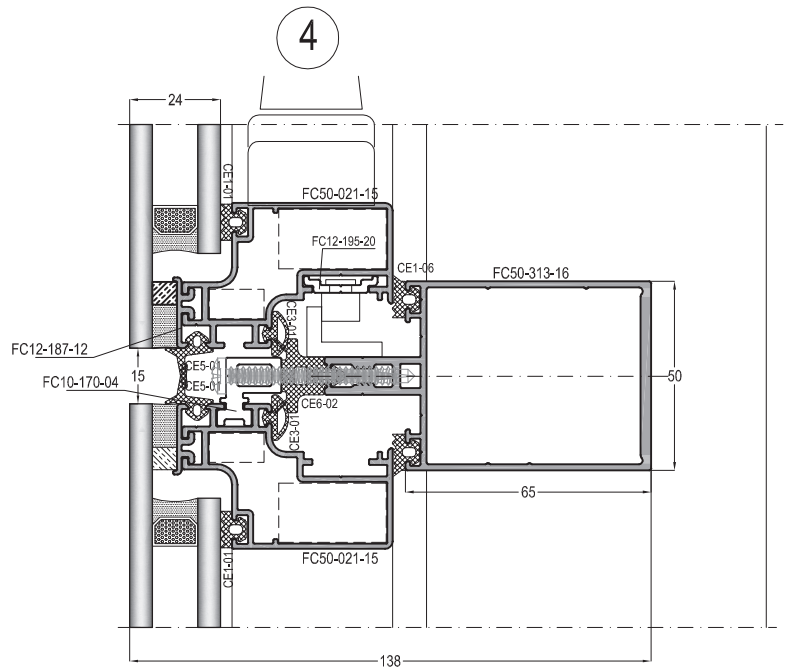
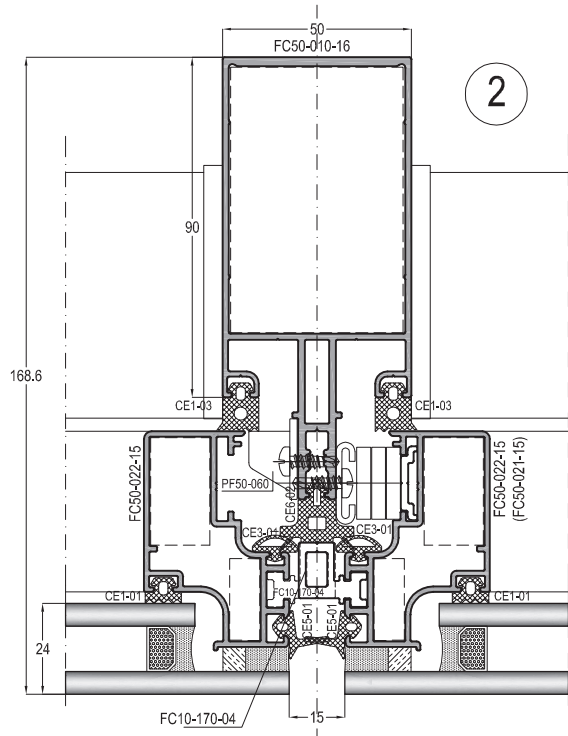
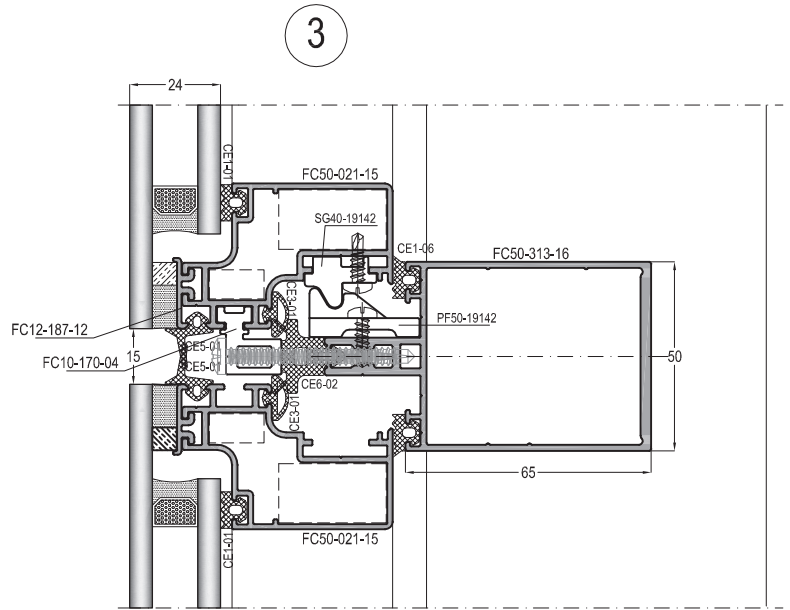
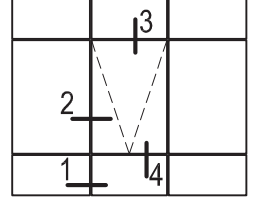
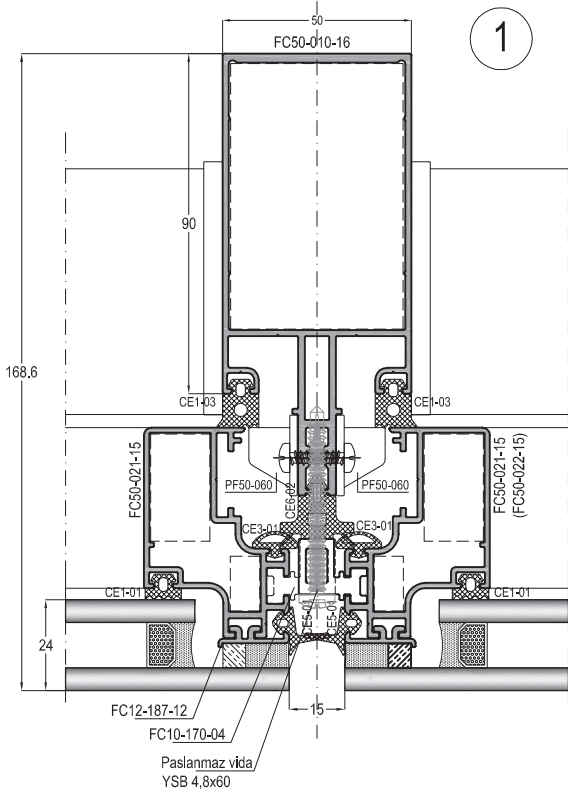


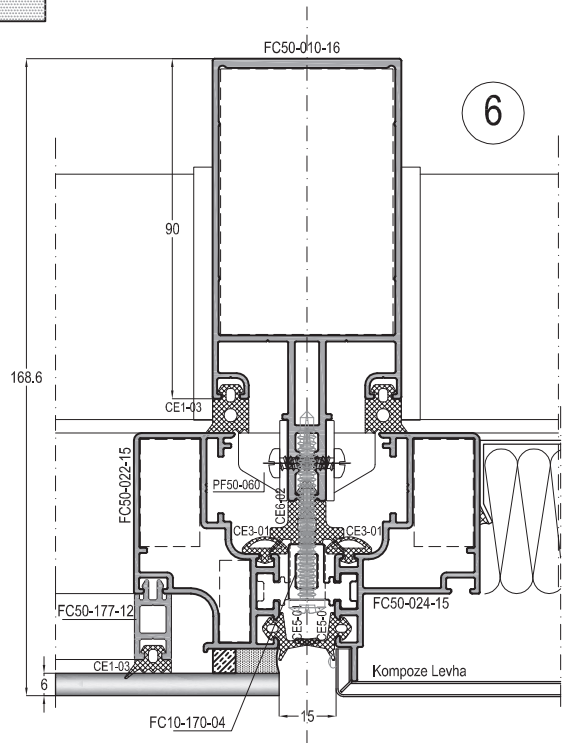
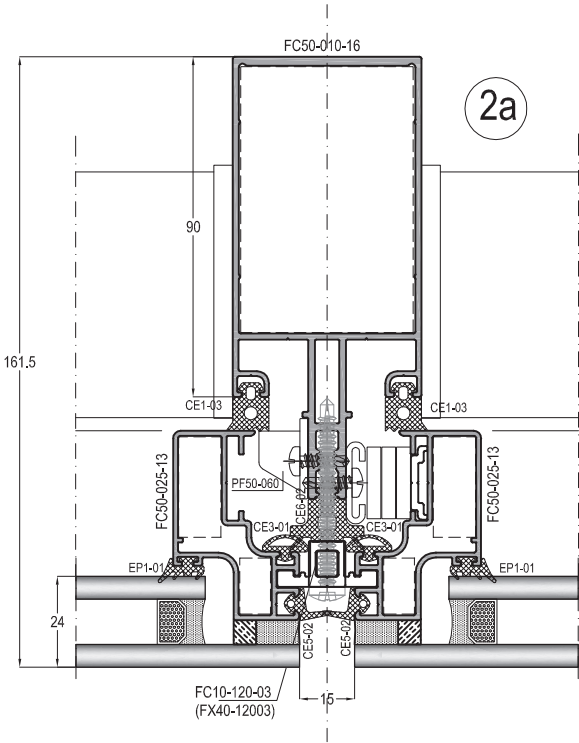
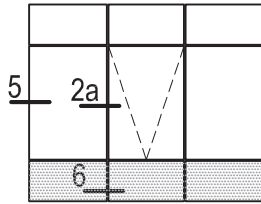
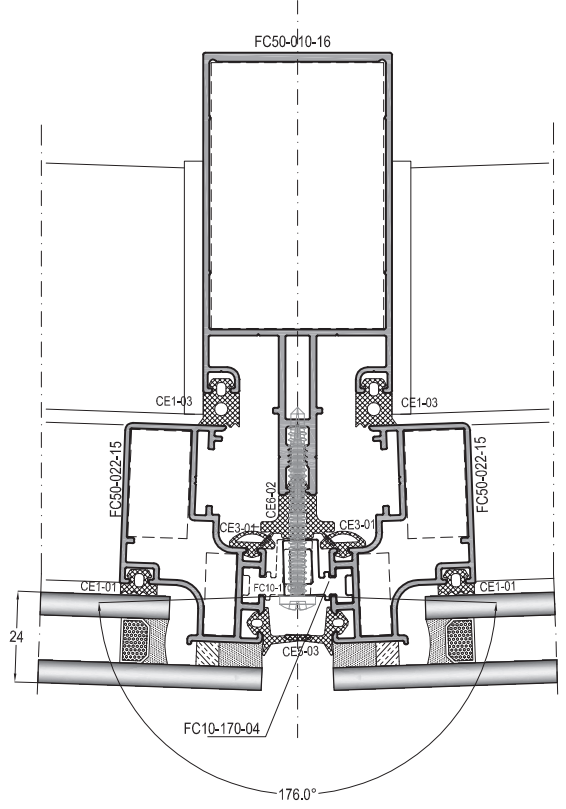
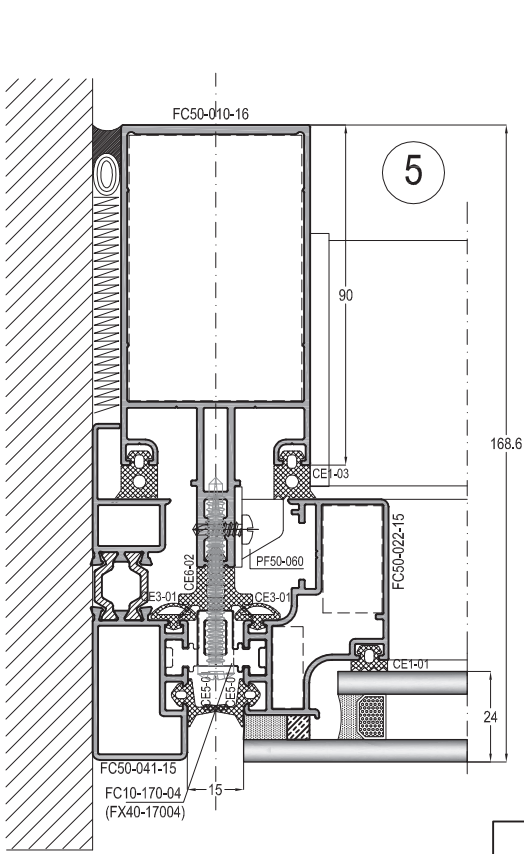
5

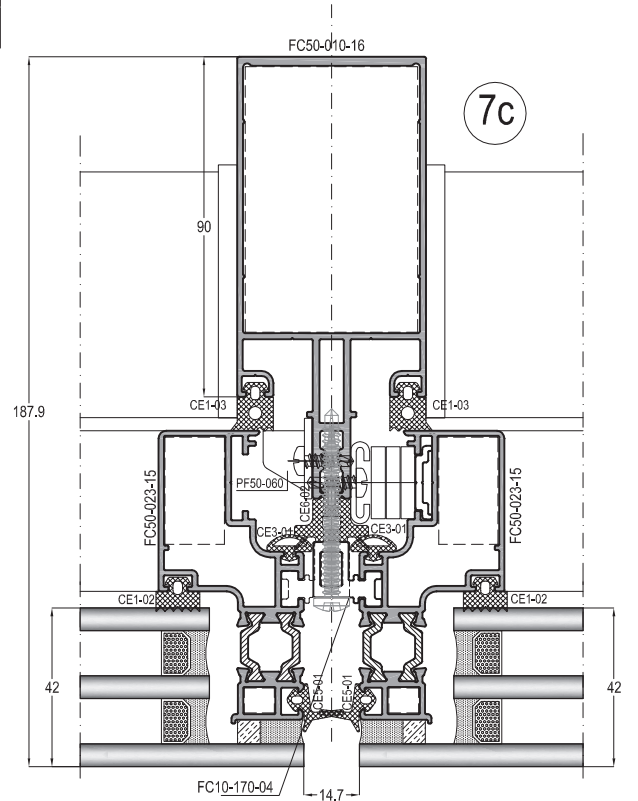
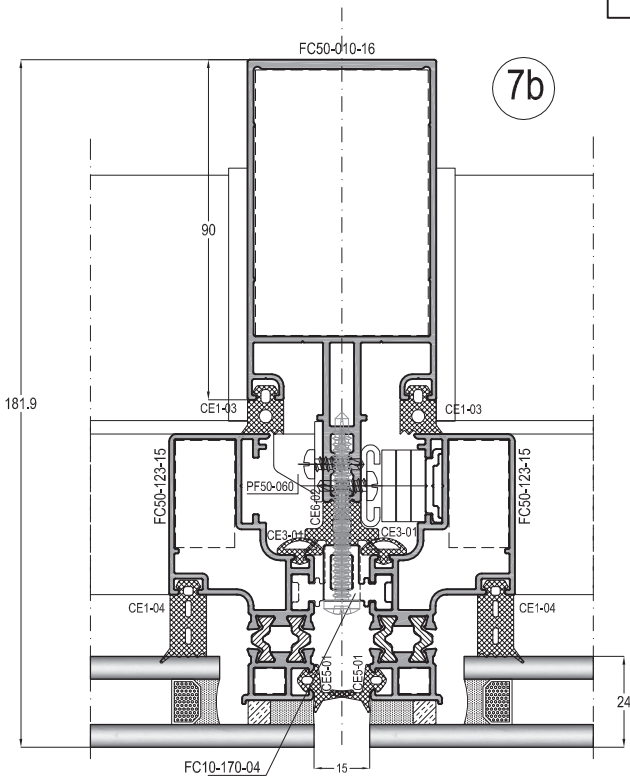
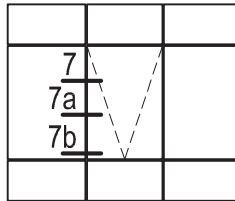
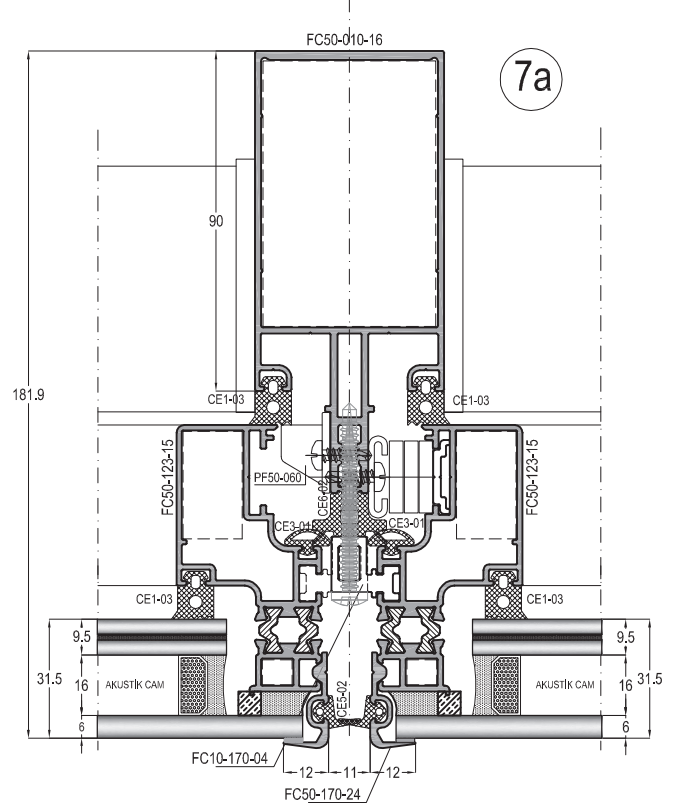
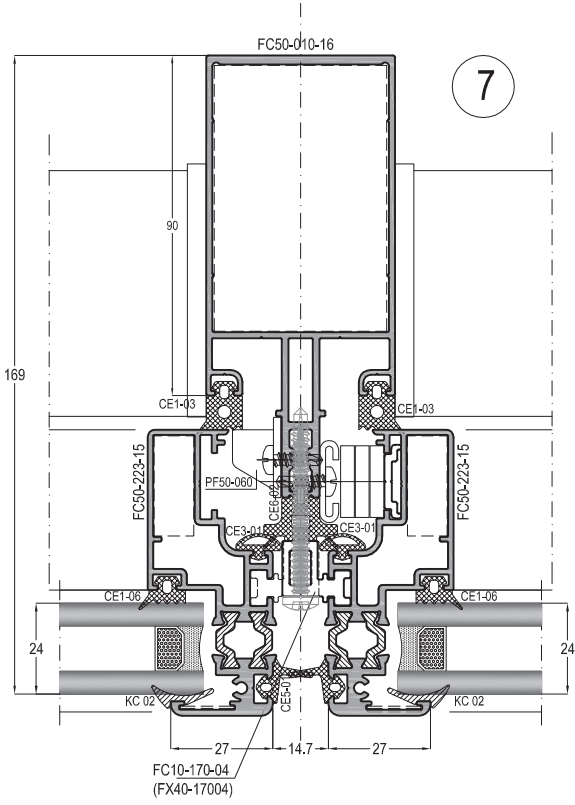


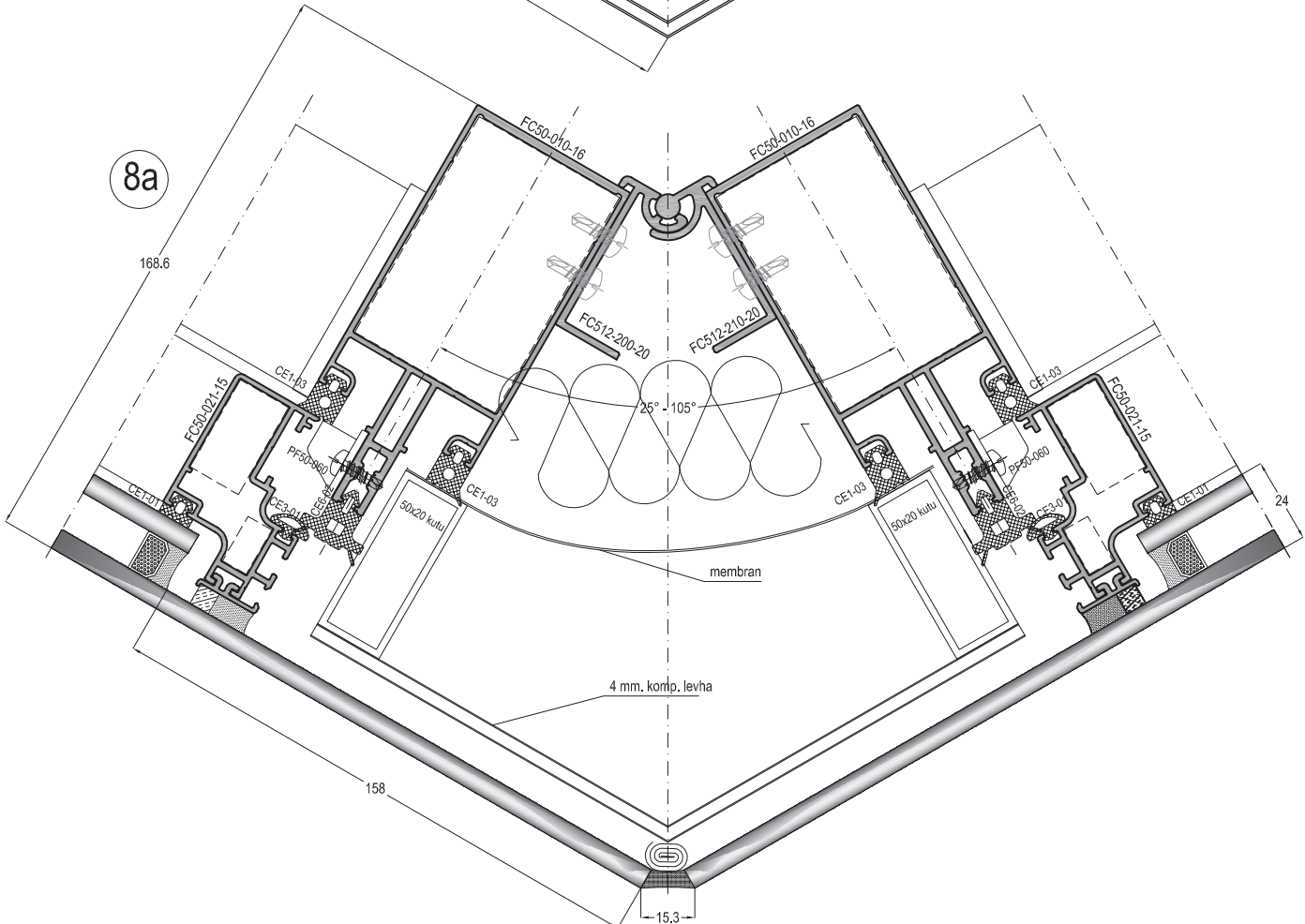
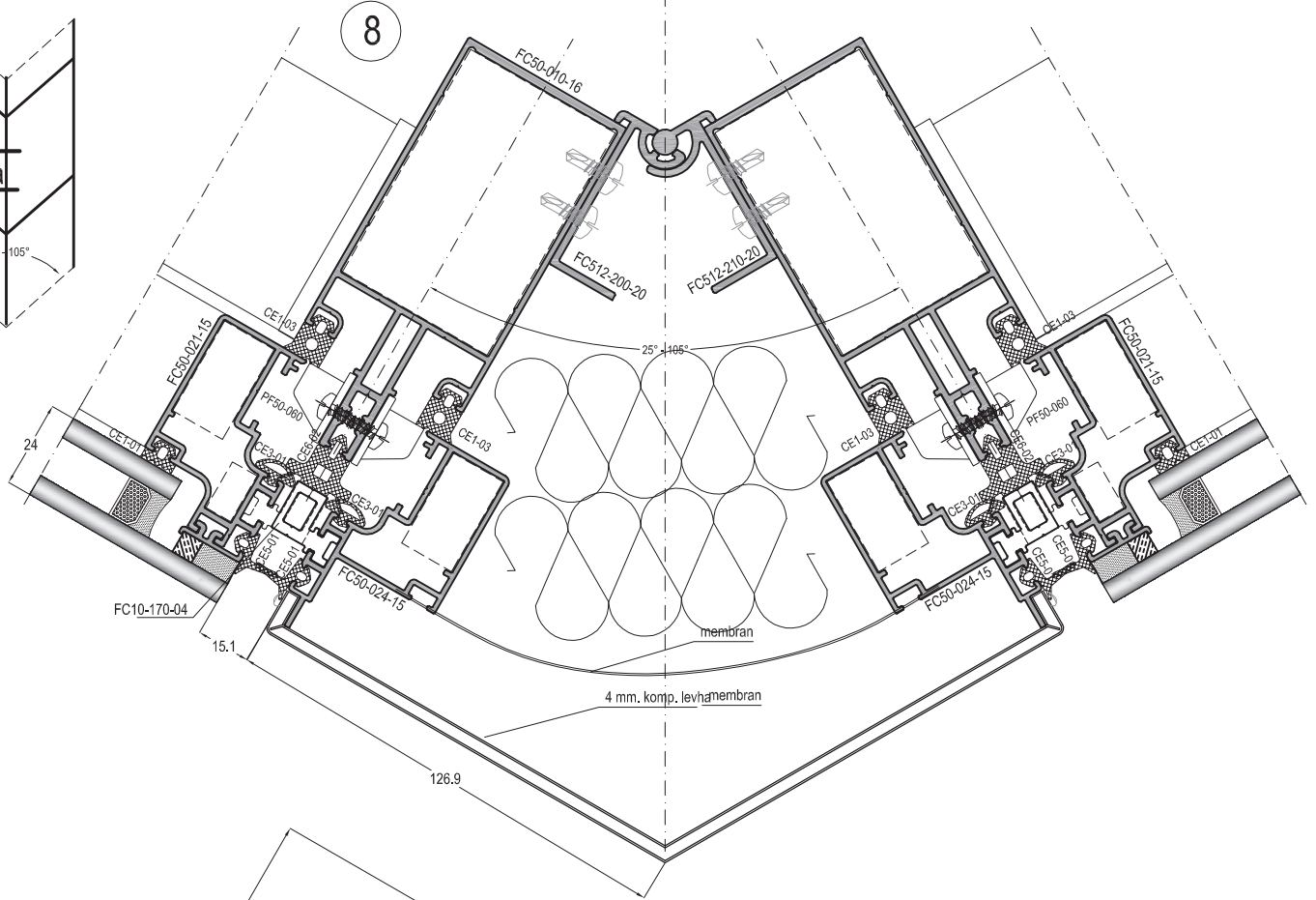
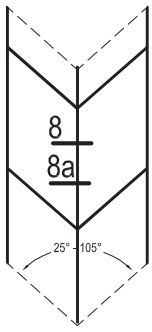
**FC50-AS3 SİSTEM DETAYLARI**  
FC50-AS3 SYSTEM DETAILS

ALIAS  
SİSTEM  
SİSTEM

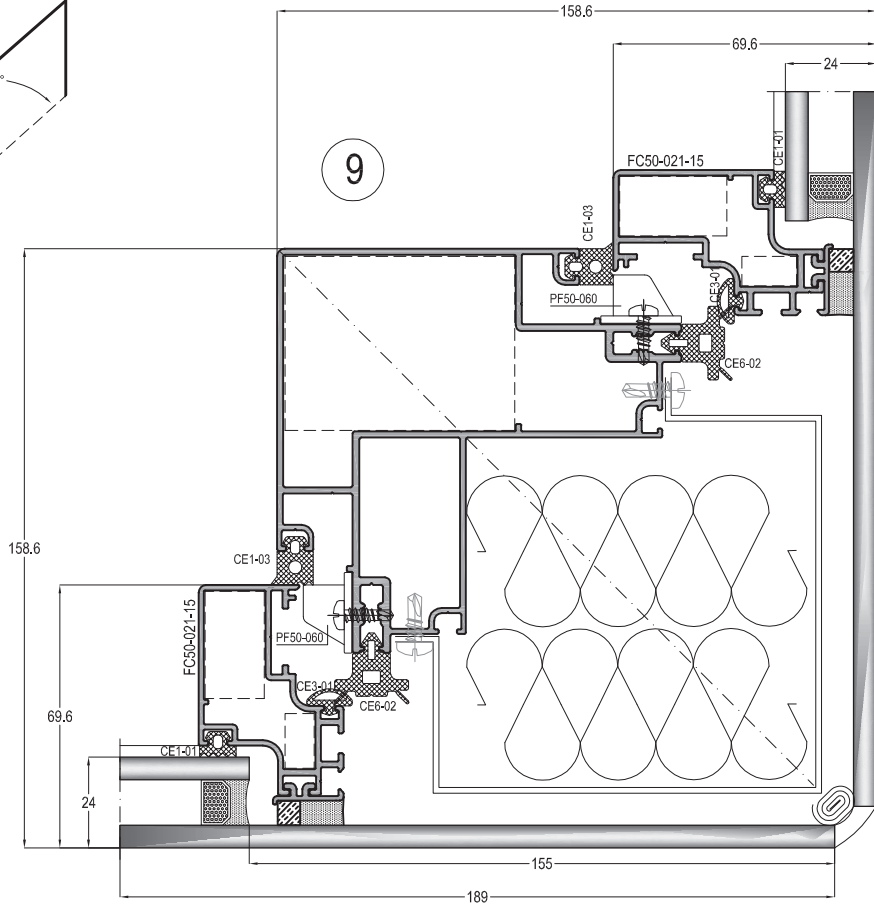
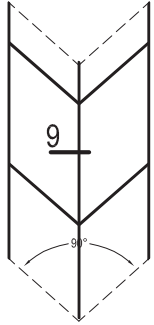






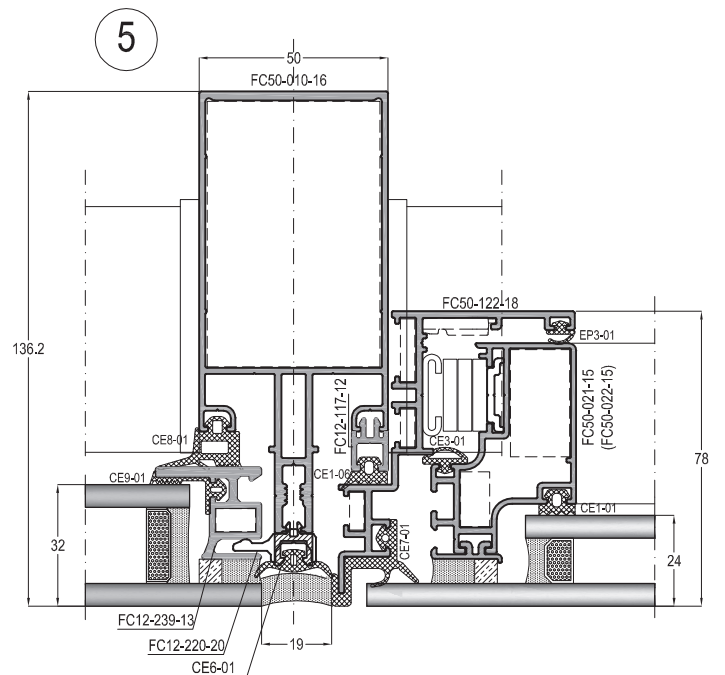
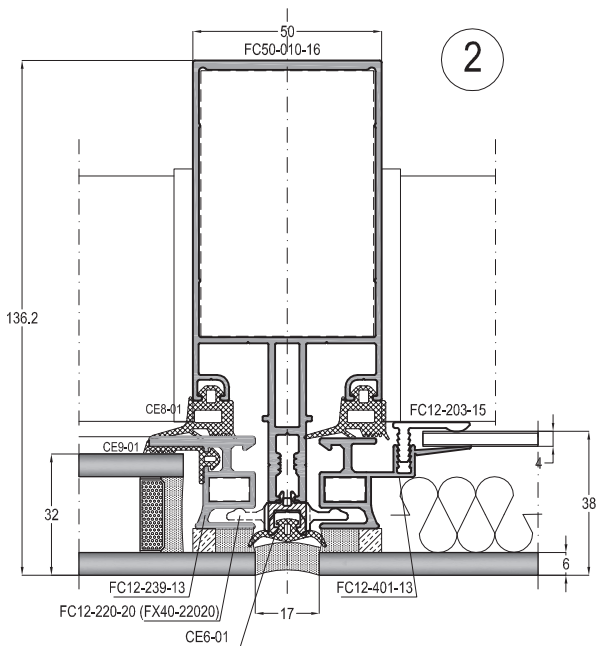
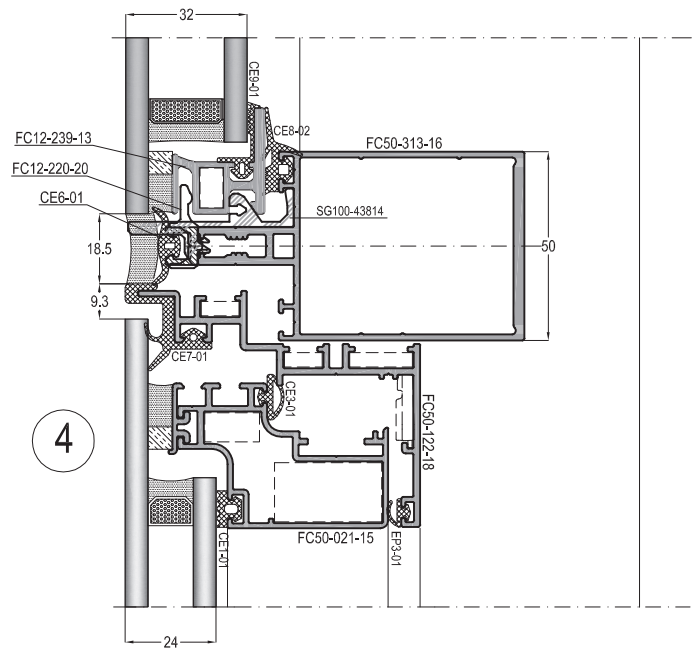
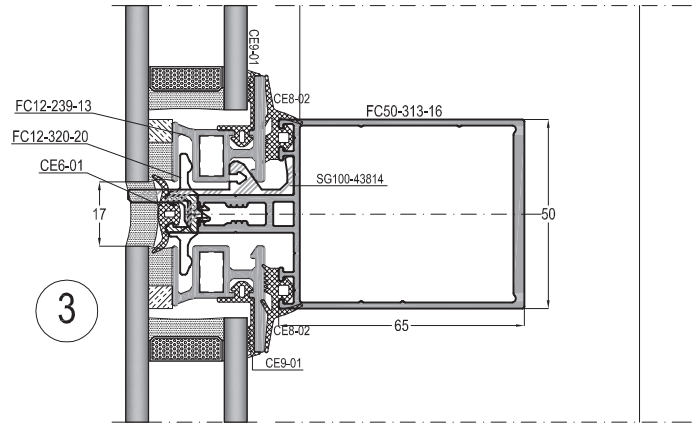
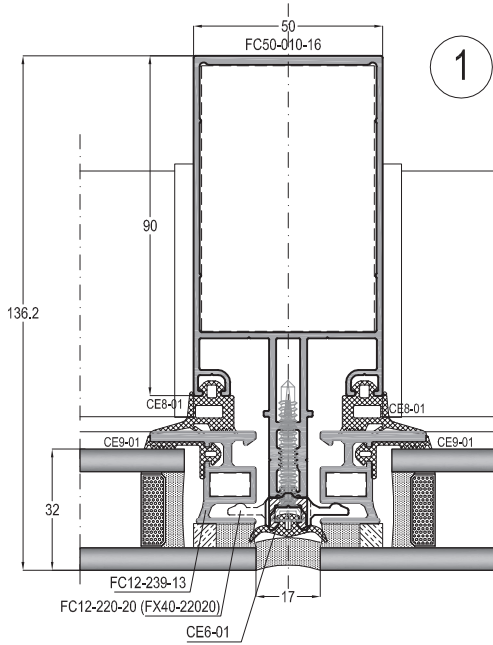
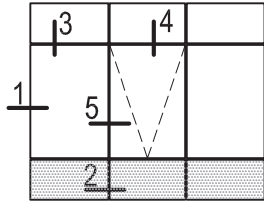






**FC50-AS4 SİSTEM DETAYLARI**  
FC50-AS4 SYSTEM DETAILS

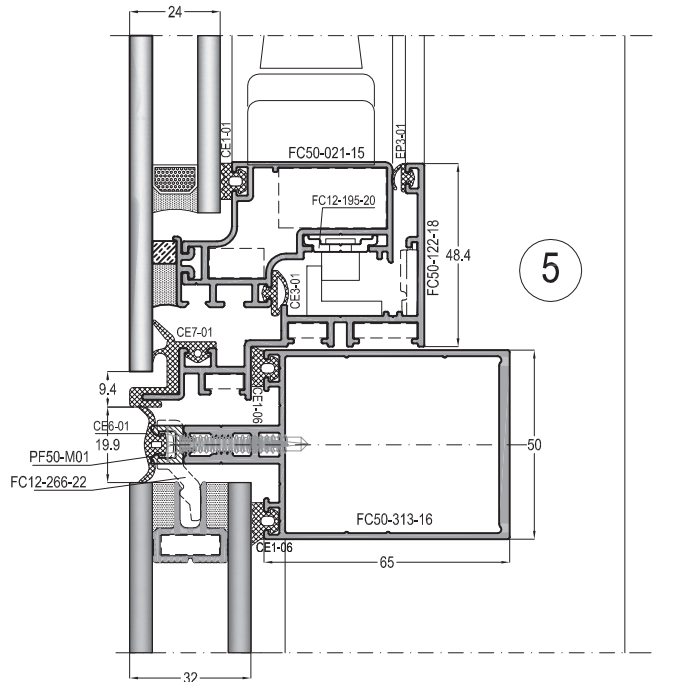
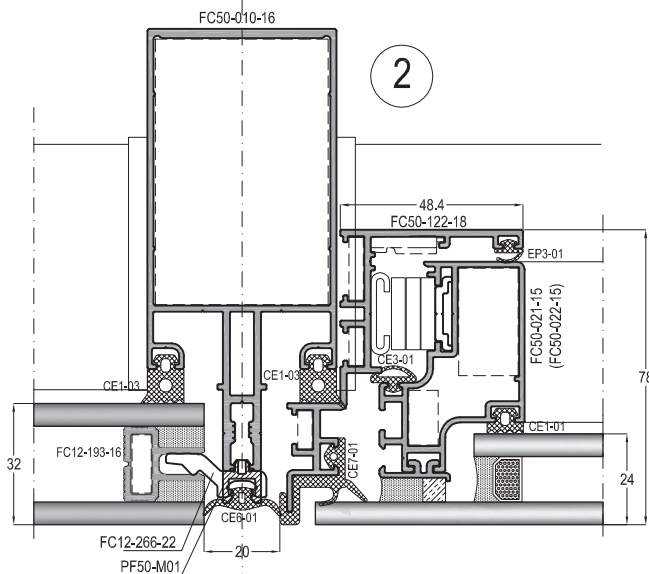
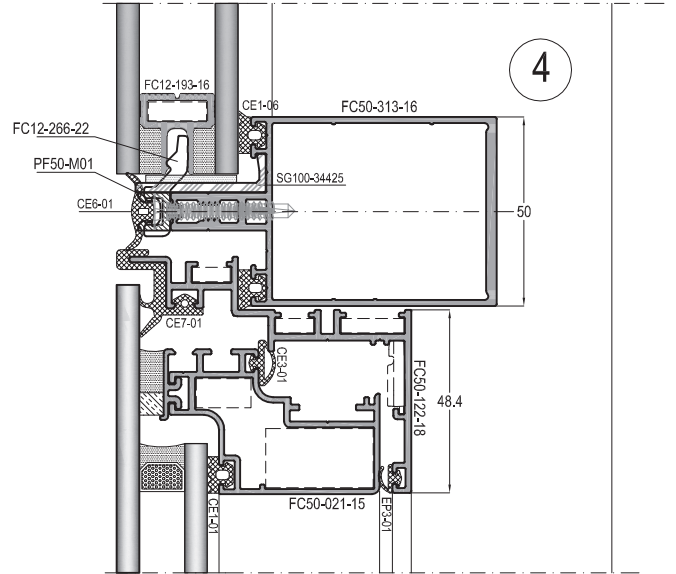
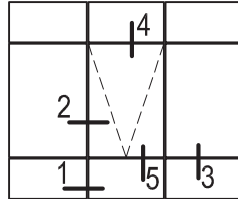
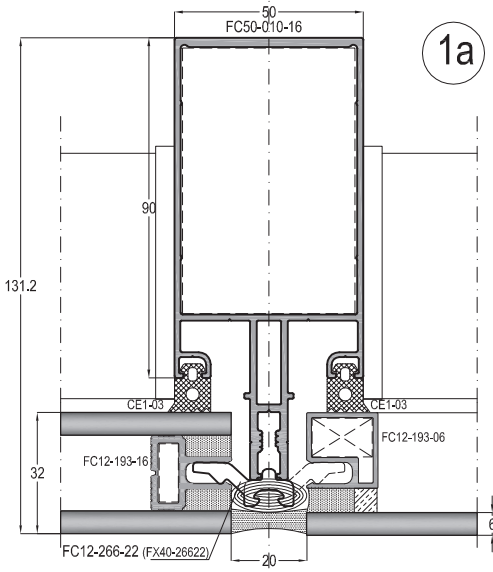
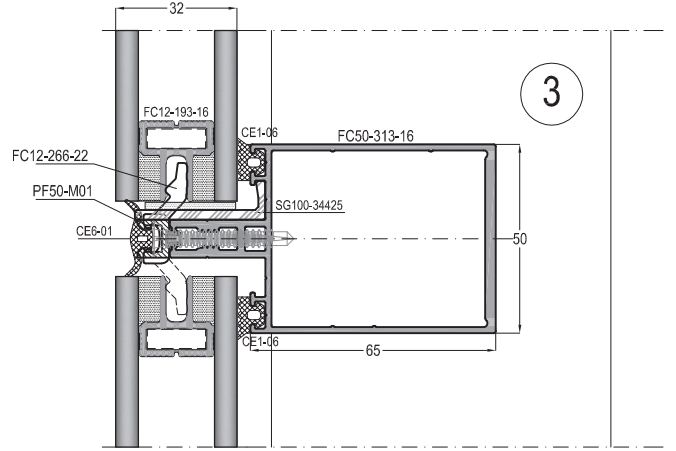
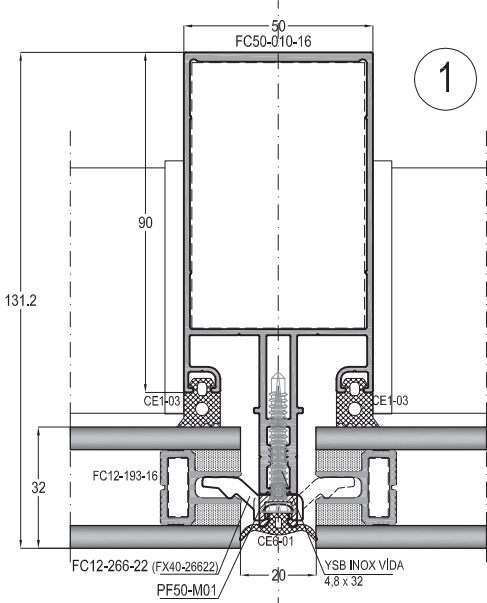
ALIAS  
SİSTEM  
SİSTEM



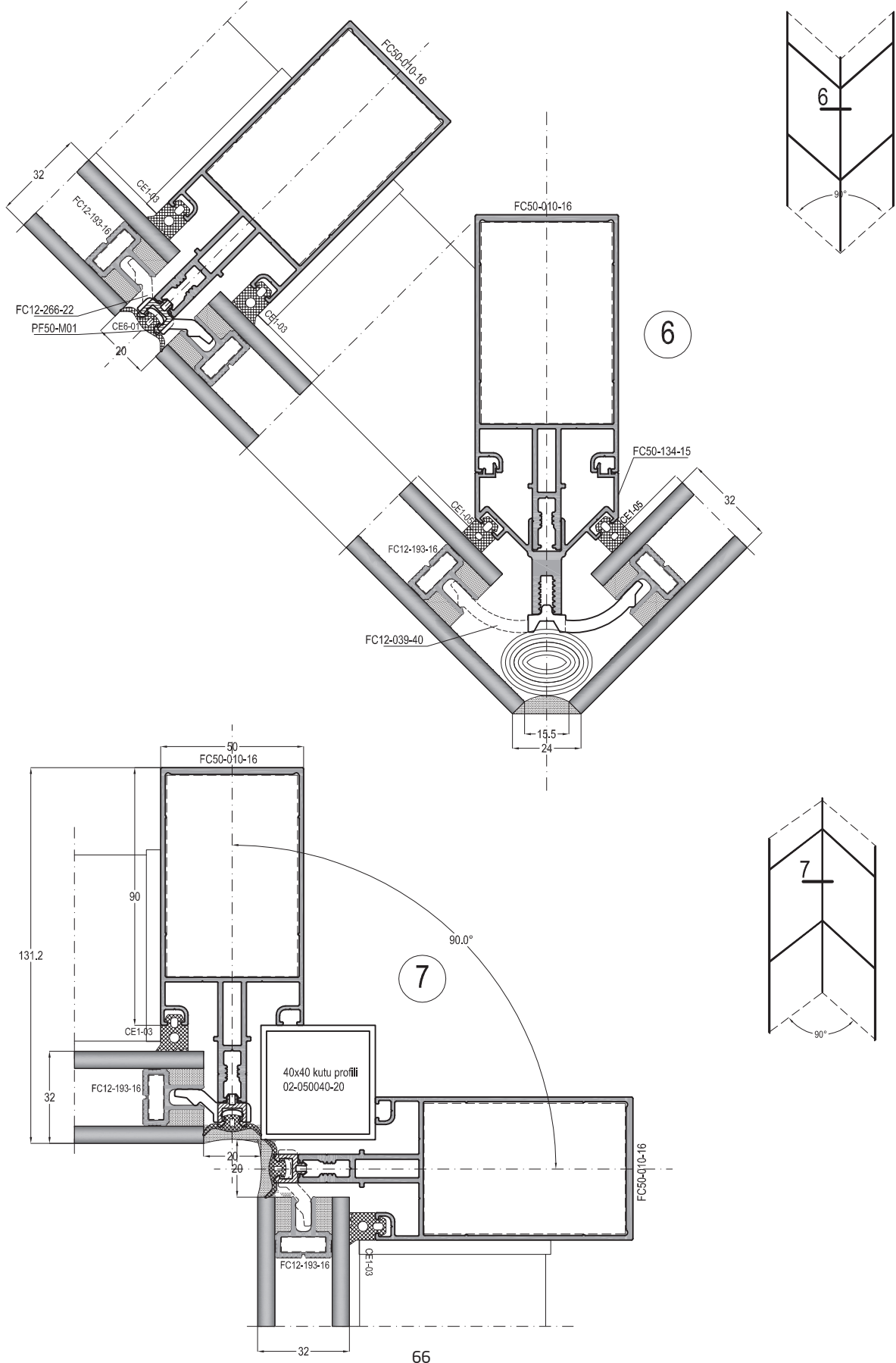
**FC50-AS5 SİSTEM DETAYLARI**  
FC50-AS5 SYSTEM DETAILS

ALIAS  
SİSTEM  
SİSTEM

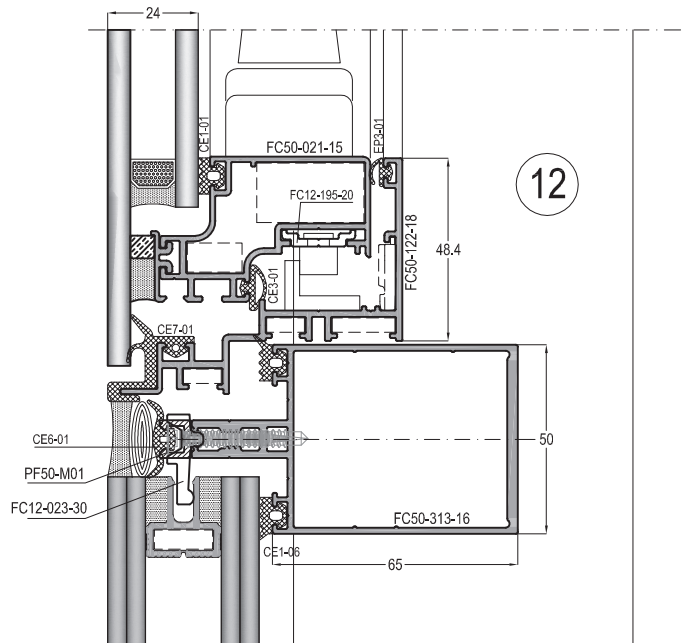
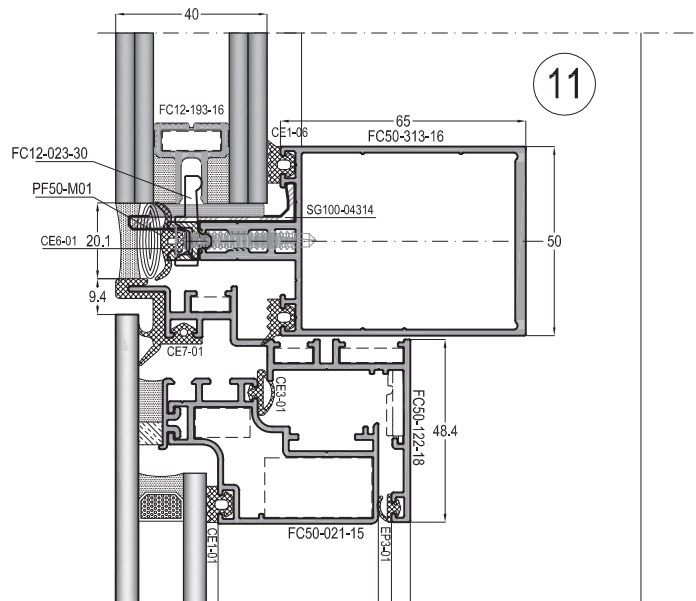
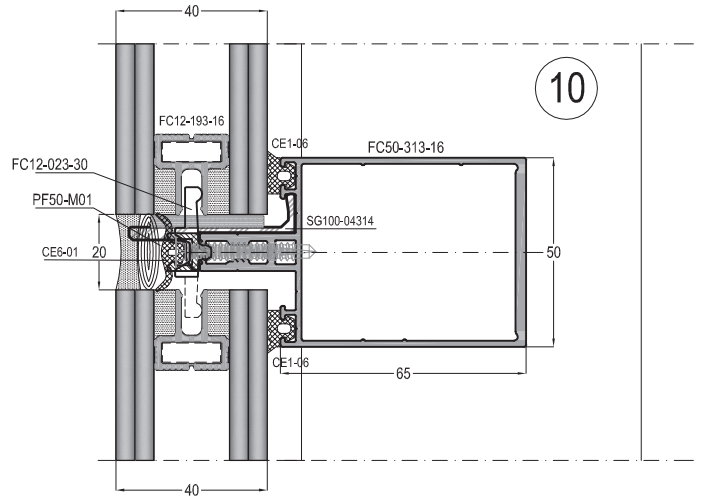
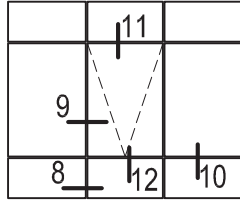
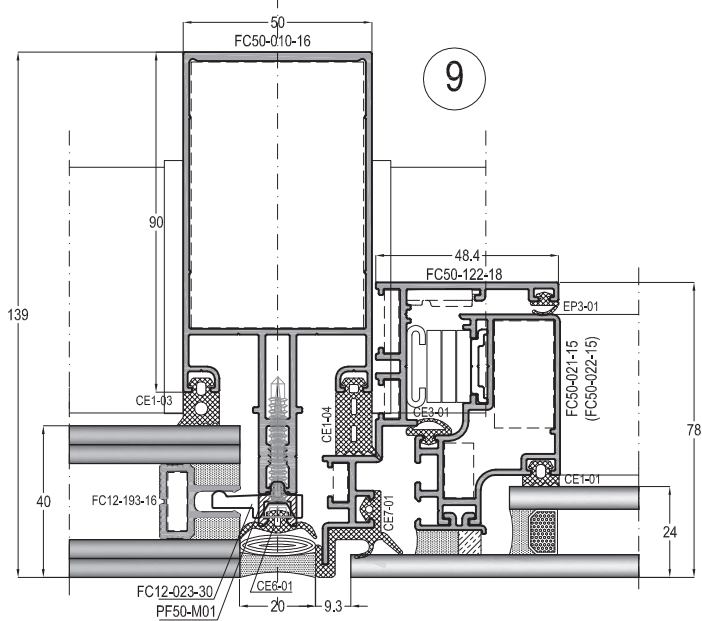
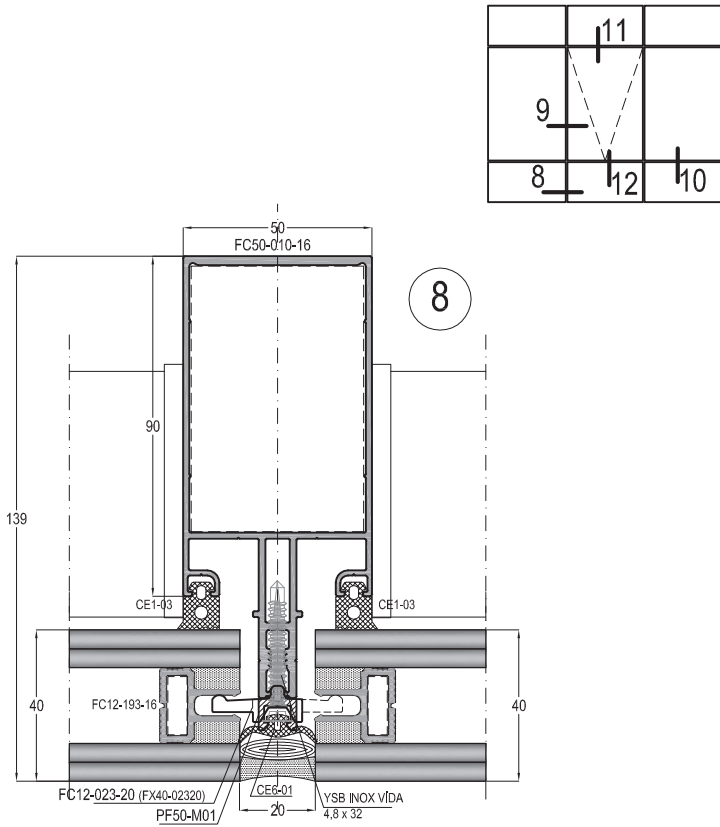
32mm CAM  
4 SIDE FOR 32mm GLASS



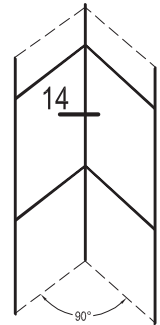
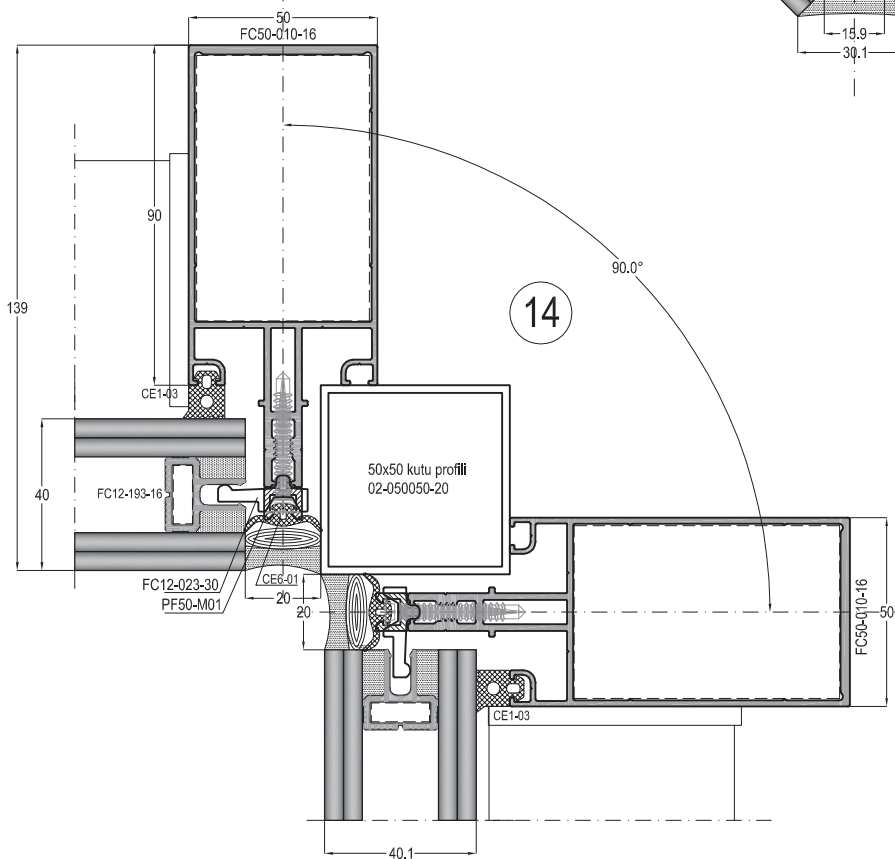
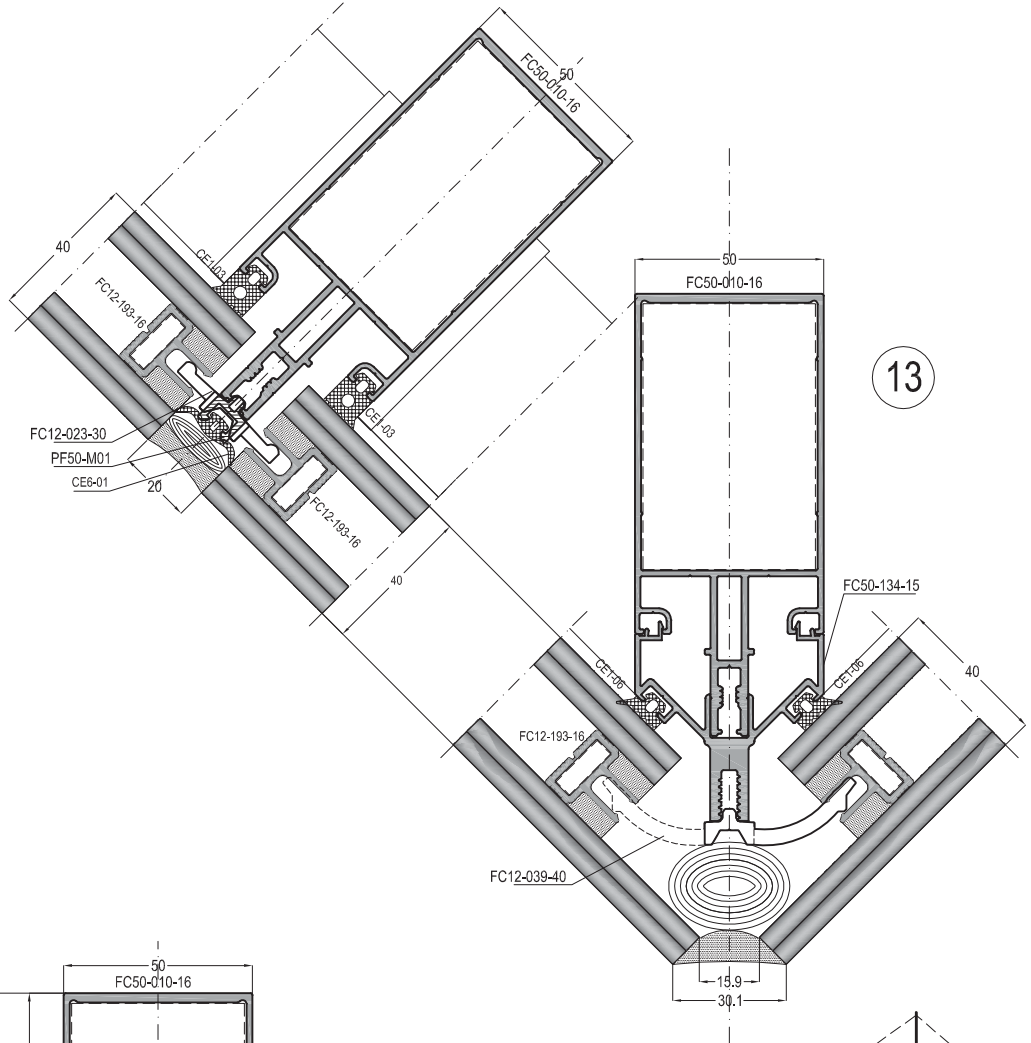
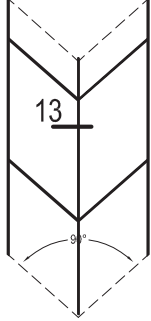
32mm CAM  
 4 SIDE FOR 32mm GLASS



40mm CAM  
4 SIDE FOR 40m GLASS



40mm CAM  
4 SIDE FOR 40m GLASS





**KESİM VE MONTAJ**  
CUTTING & ASSEMBLY

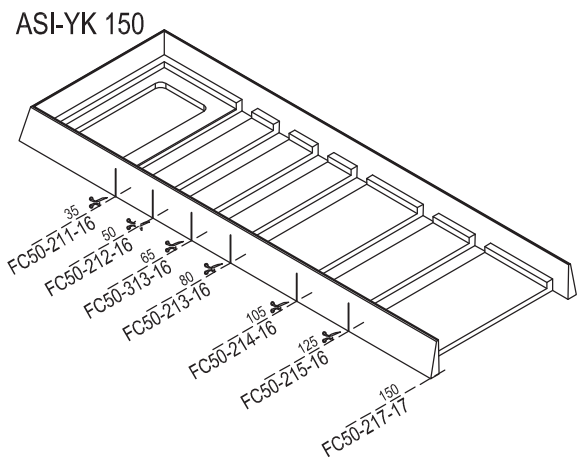
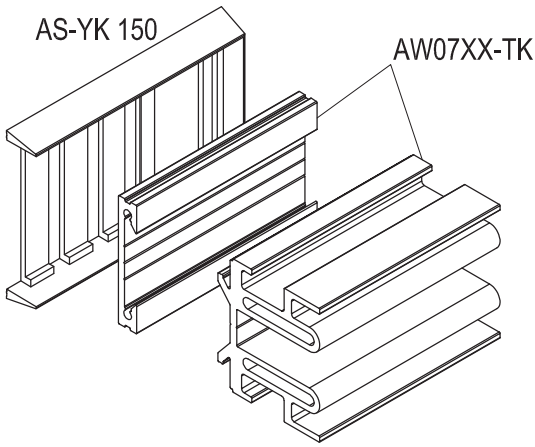
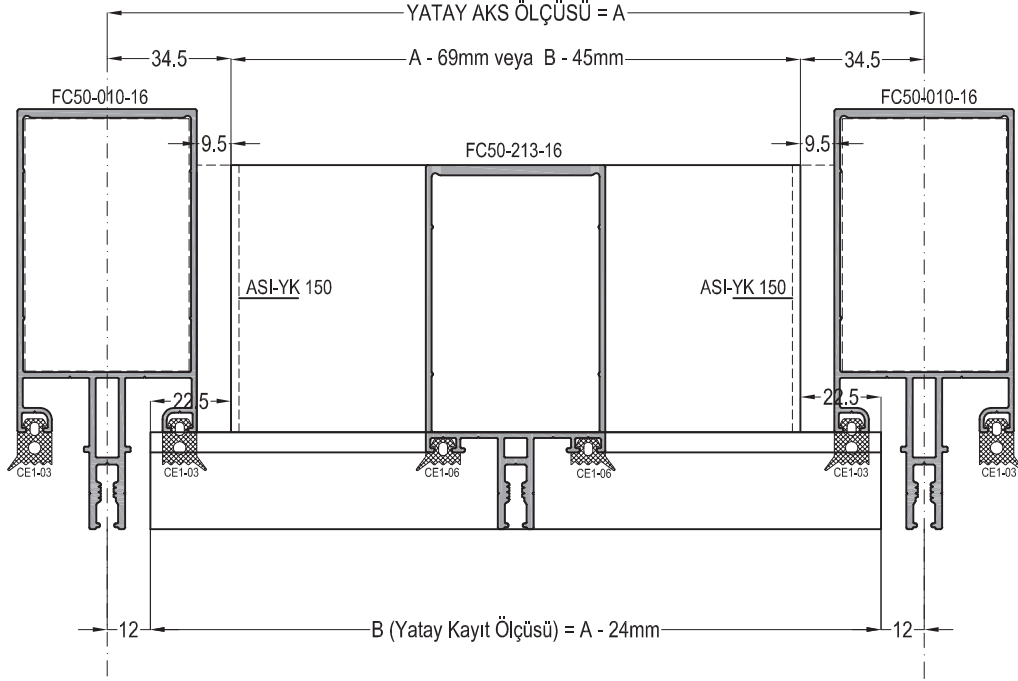
ASİSİSTAL  
ASİSİSTAL  
TALAS

## FC50-AS SİSTEM YATAY (KIZAKLI GEÇME) BAĞLANTI PROFİL KESİM ÖLÇÜSÜ

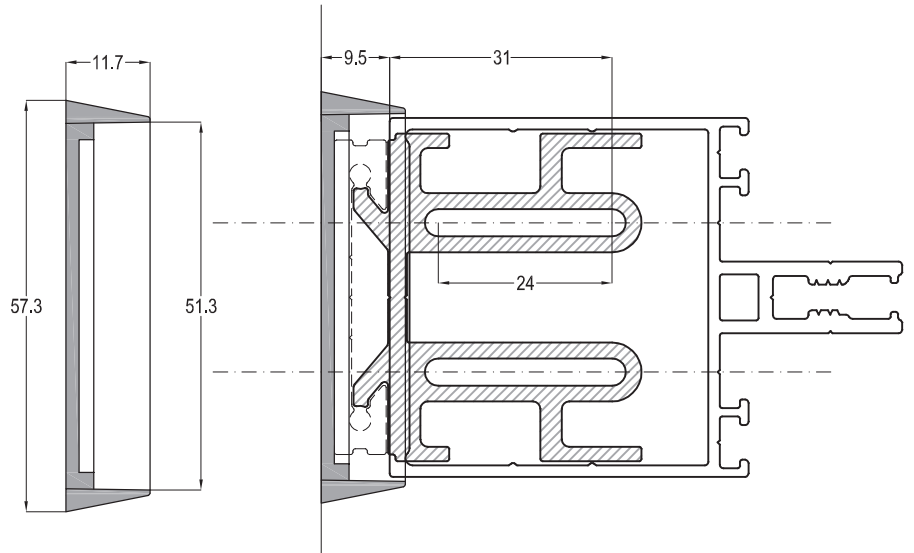
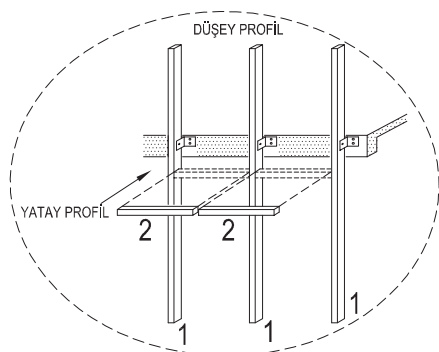
### ALTERNATİF 1 (Yatay Kayıt Kertmeli)

TRANSOM JOINT BY SLIDING SYSTEM CUTTING SIZES / FC50-AS

PROPOSAL 1



### GENEL MONTAJ ŞEMASI

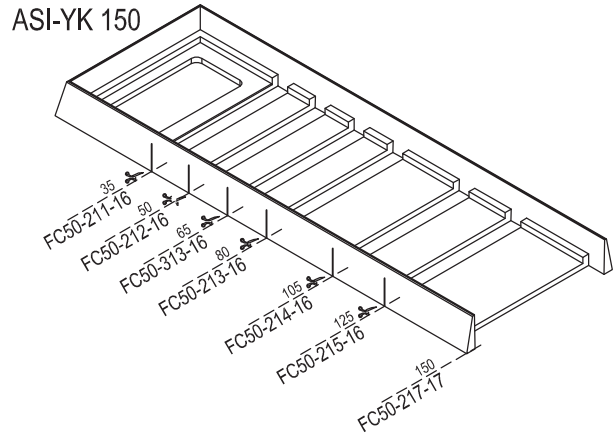
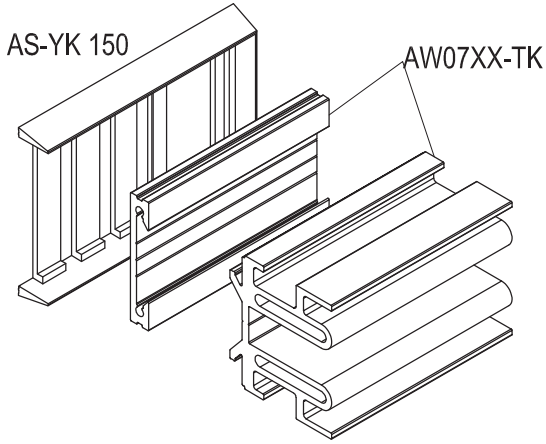
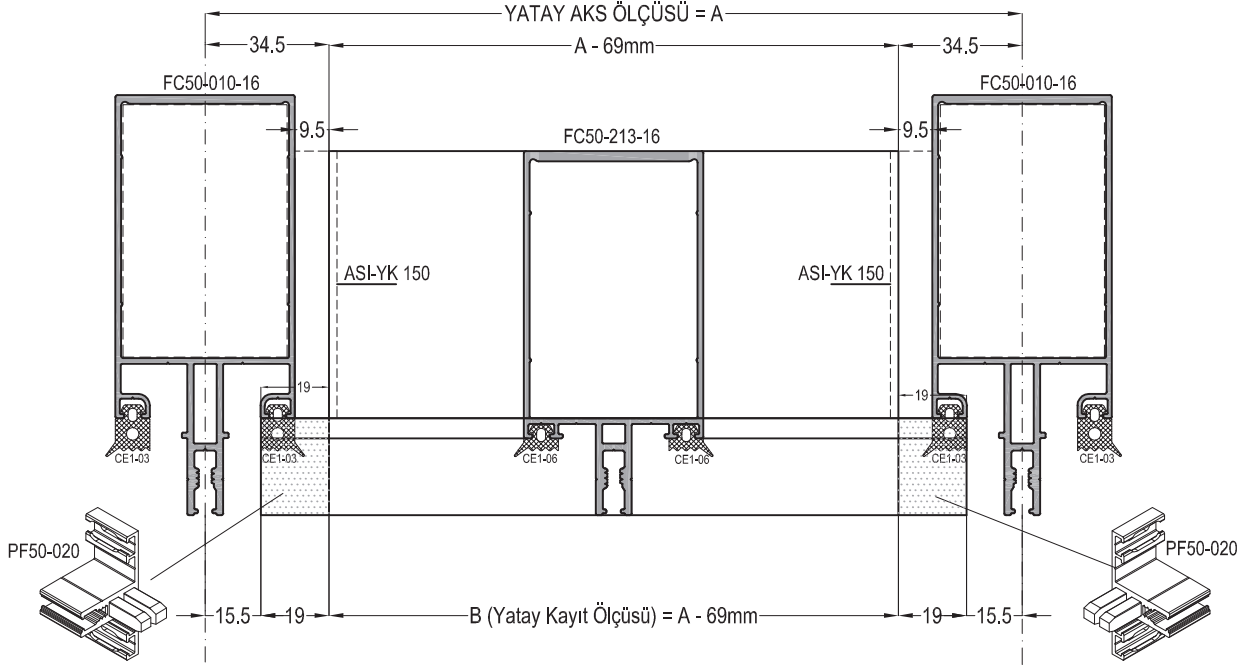


## FC50-AS SİSTEM YATAY (KIZAKLI GEÇME) BAĞLANTI PROFİL KESİM ÖLÇÜSÜ

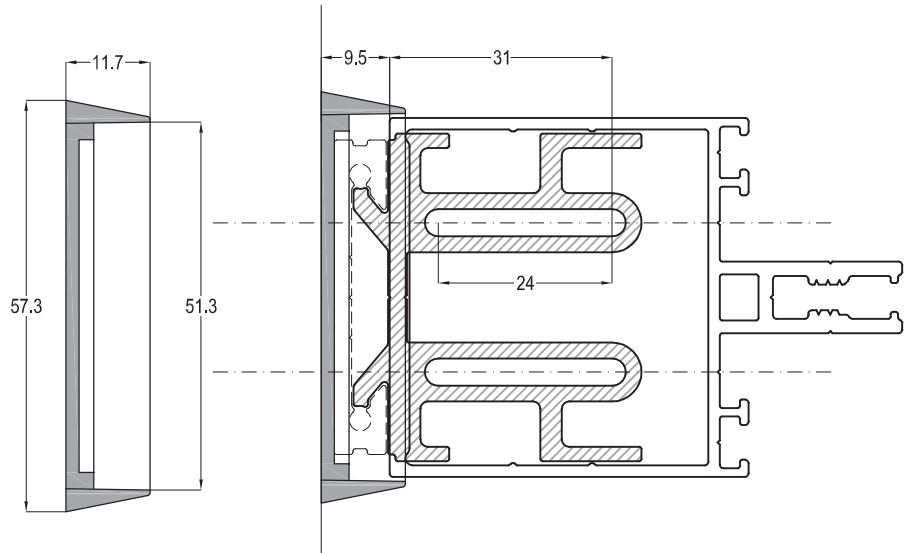
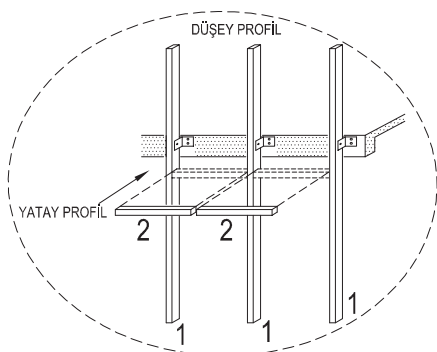
ALTERNATİF 2 (Yatay Kayıt Kertmesiz)

TRANSOM JOINT BY SLIDING SYSTEM CUTTING SIZES / FC50-AS

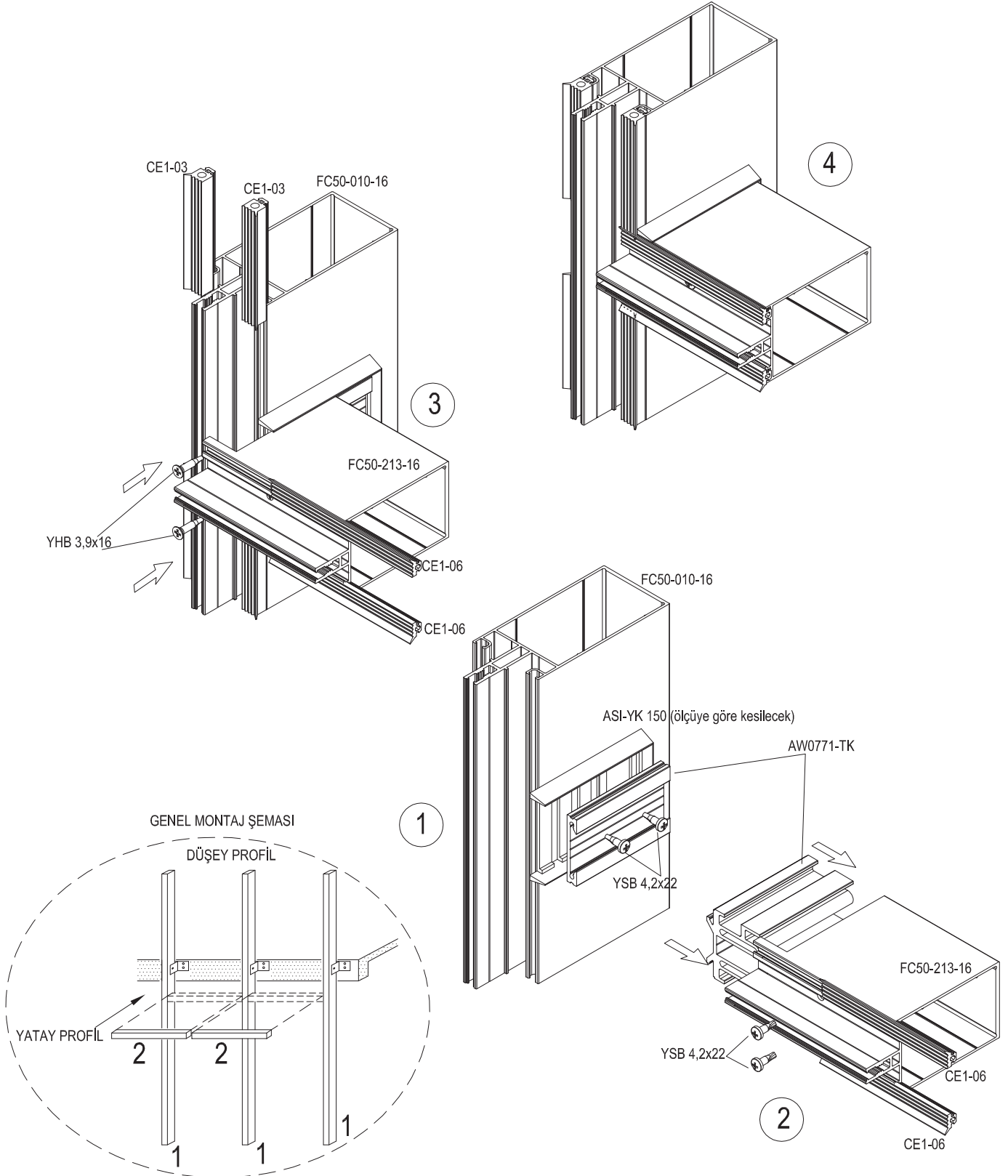
PROPOSAL 2 (Flat Cutting)



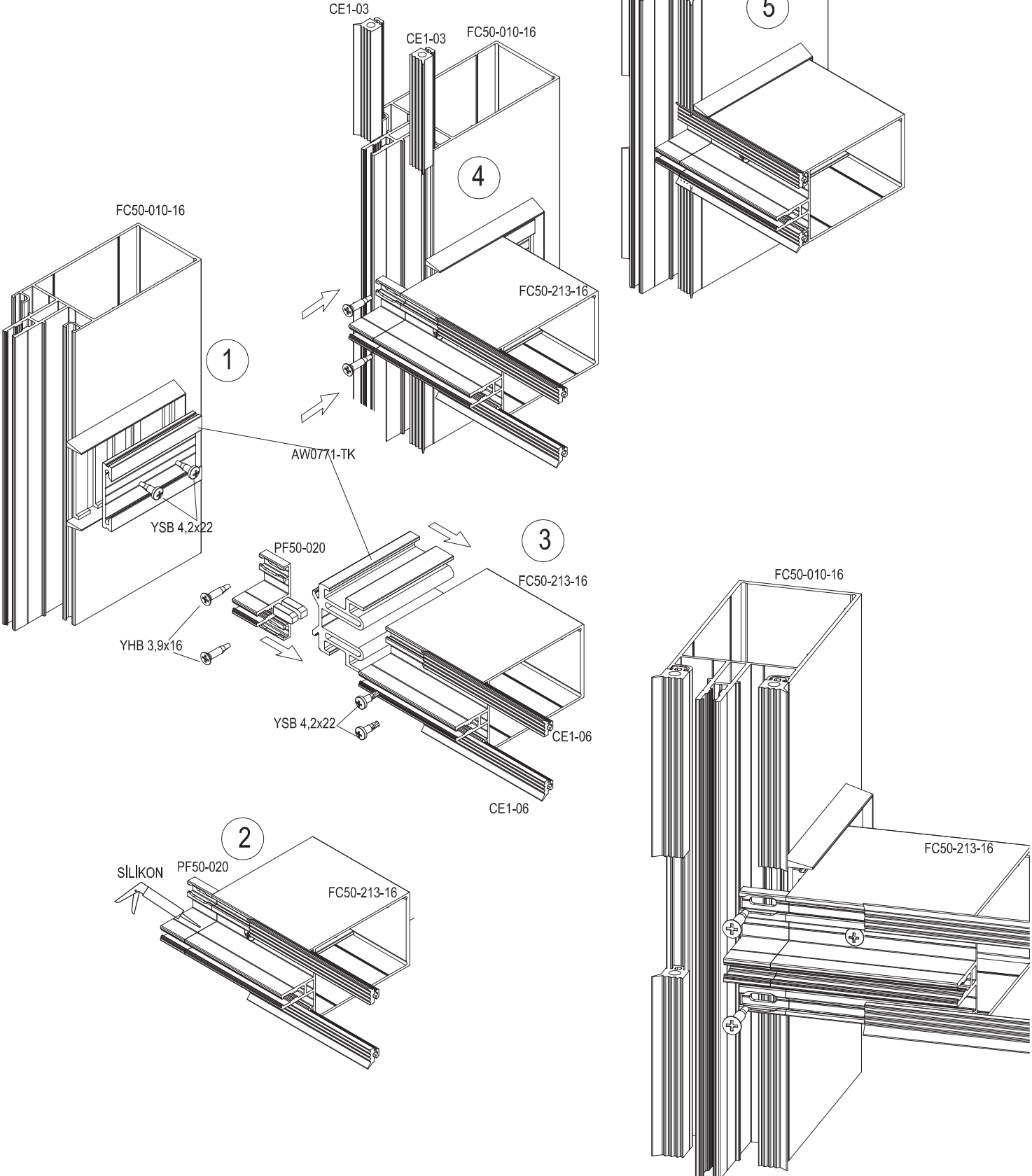
### GENEL MONTAJ ŞEMASI



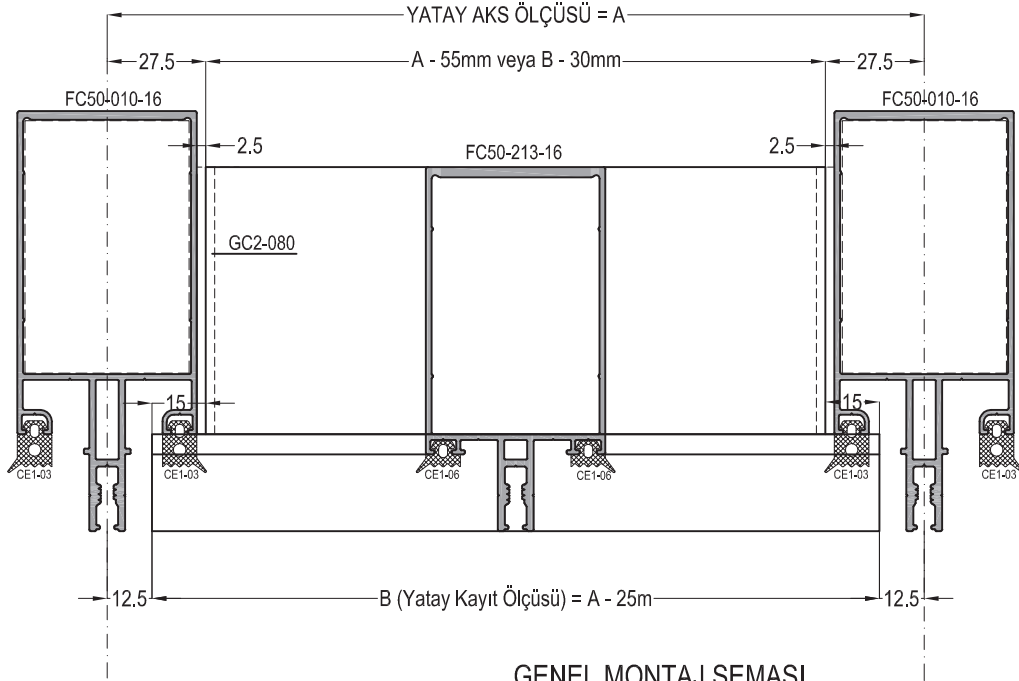
FC50-AS SİSTEM YATAY (KIZAKLI GEÇME) BAĞLANTI MONTAJ DETAYI  
ALTERNATİF 1 (Yatay Kayıt Kertmeli)  
TRANSOM JOINT BY SLIDING SYSTEM ASSEMBLY DETAIL / FC50-AS  
PROPOSAL 1 (Standart Cutting)



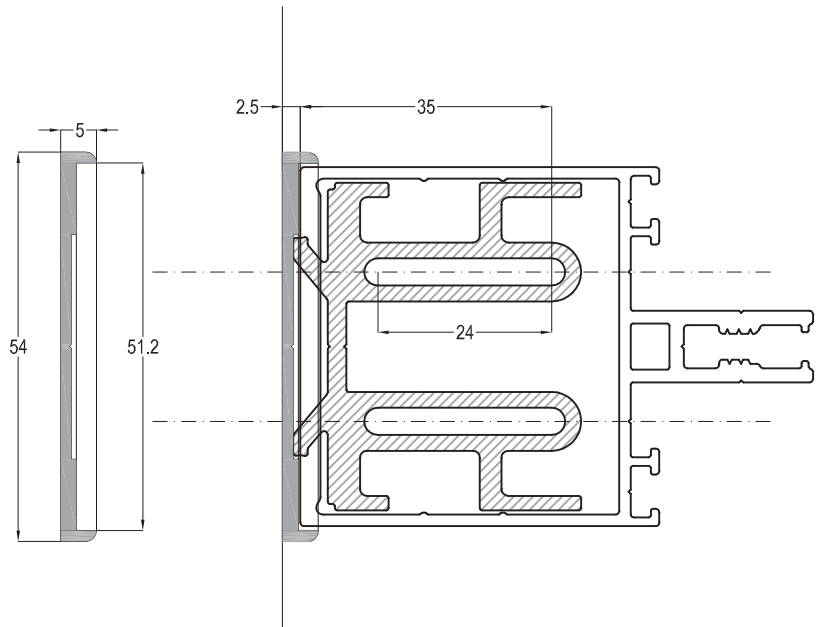
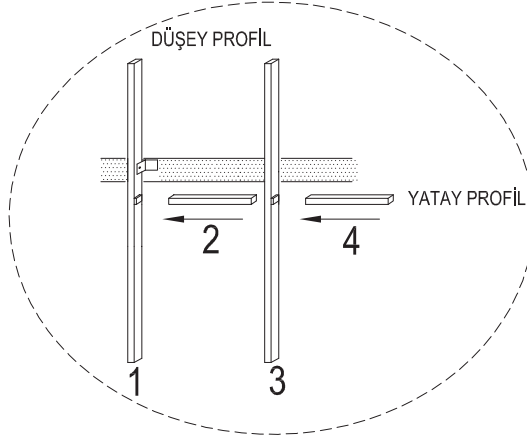
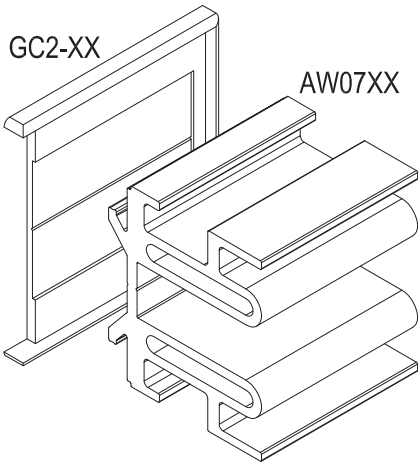
**FC50-AS SİSTEM YATAY (KIZAKLI GEÇME) BAĞLANTI MONTAJ DETAYI**  
**ALTERNATİF 2 (Yatay Kayıt Kertmesiz)**  
TRANSOM JOINT BY SLIDING SYSTEM ASSEMBLY DETAIL / FC50-AS  
PROPOSAL 2 ( Flat Cutting)



FC50-AS SİSTEM YATAY "U" BAĞLANTI PROFİL KESİM ÖLÇÜSÜ  
ALTERNATİF 1 (Yatay Kayıt Kertmeli)  
TRANSOM JOINT "U" TYPE CUTTING SIZES  
PROPOSAL 1



GENEL MONTAJ ŞEMASI

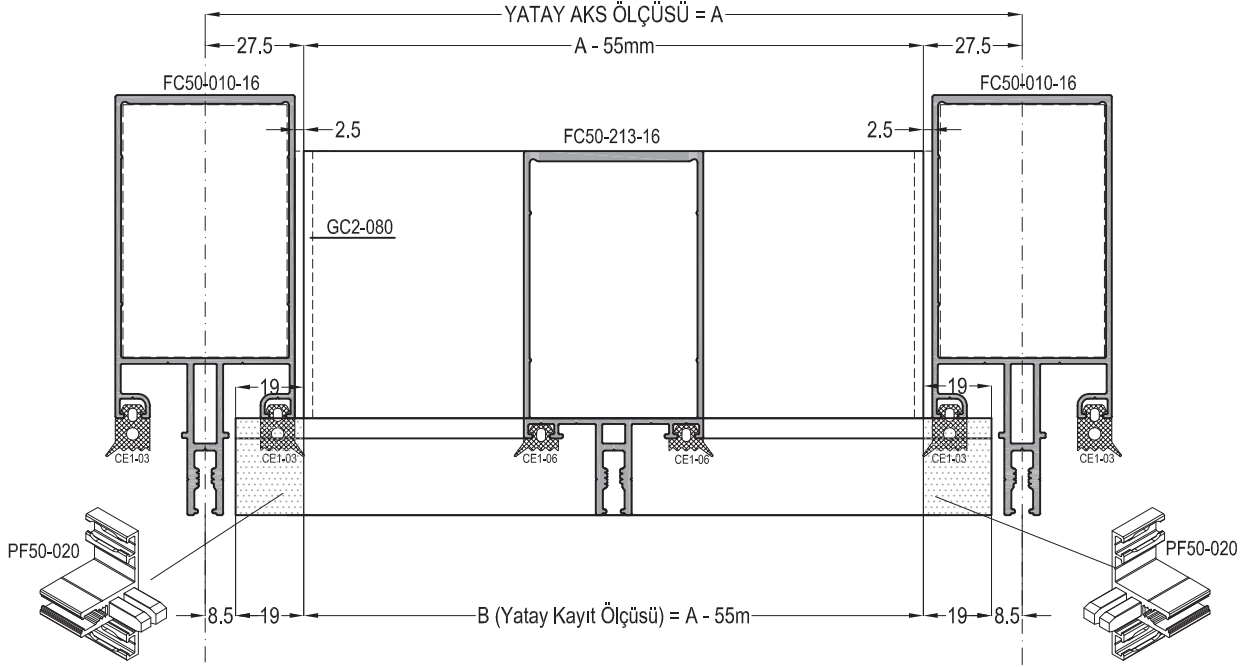


## FC50-AS SİSTEM YATAY "U" BAĞLANTI PROFİL KESİM ÖLÇÜSÜ

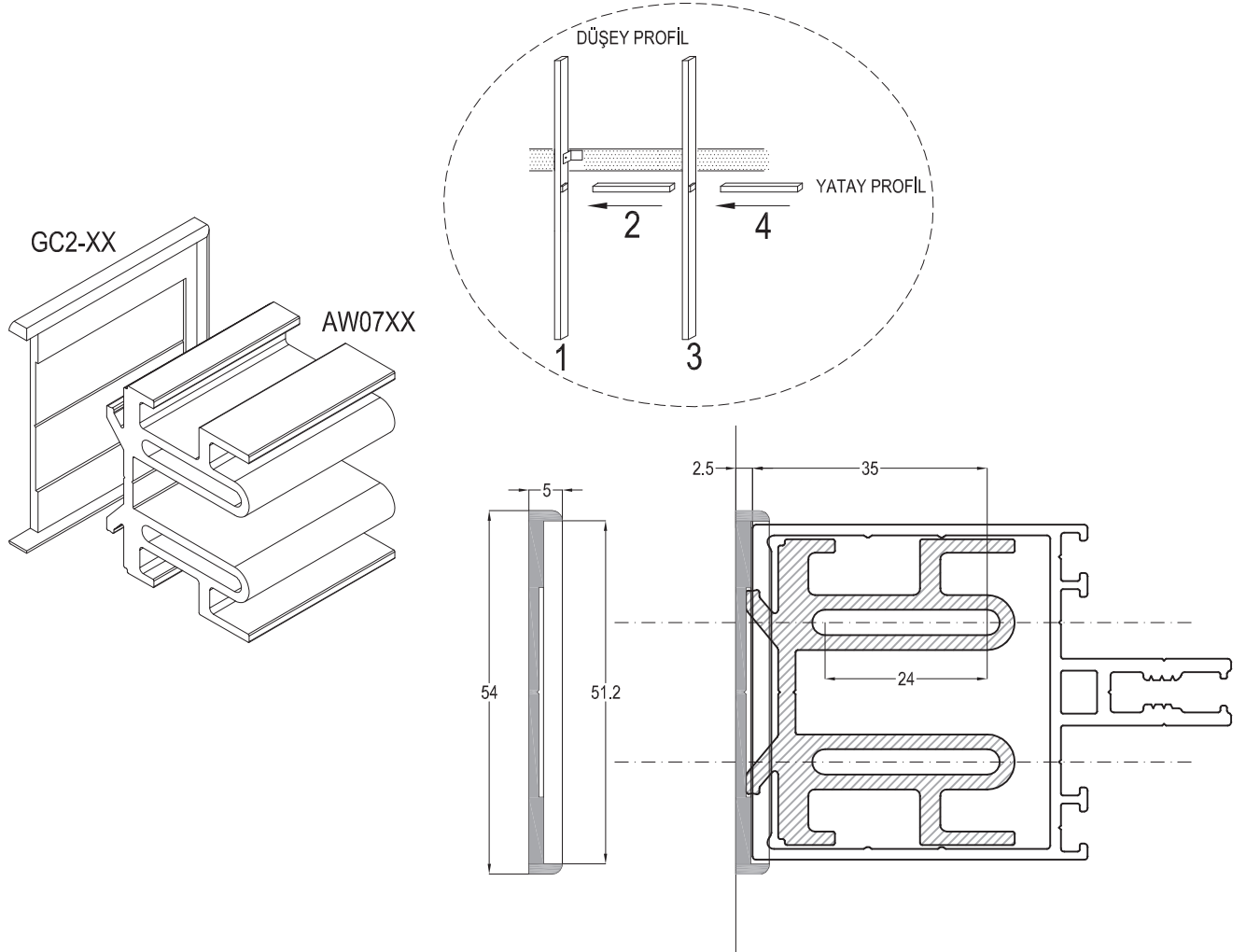
ALTERNATİF 2 (Yatay Kayıt Kertmesiz)

TRANSOM JOINT "U" TYPE

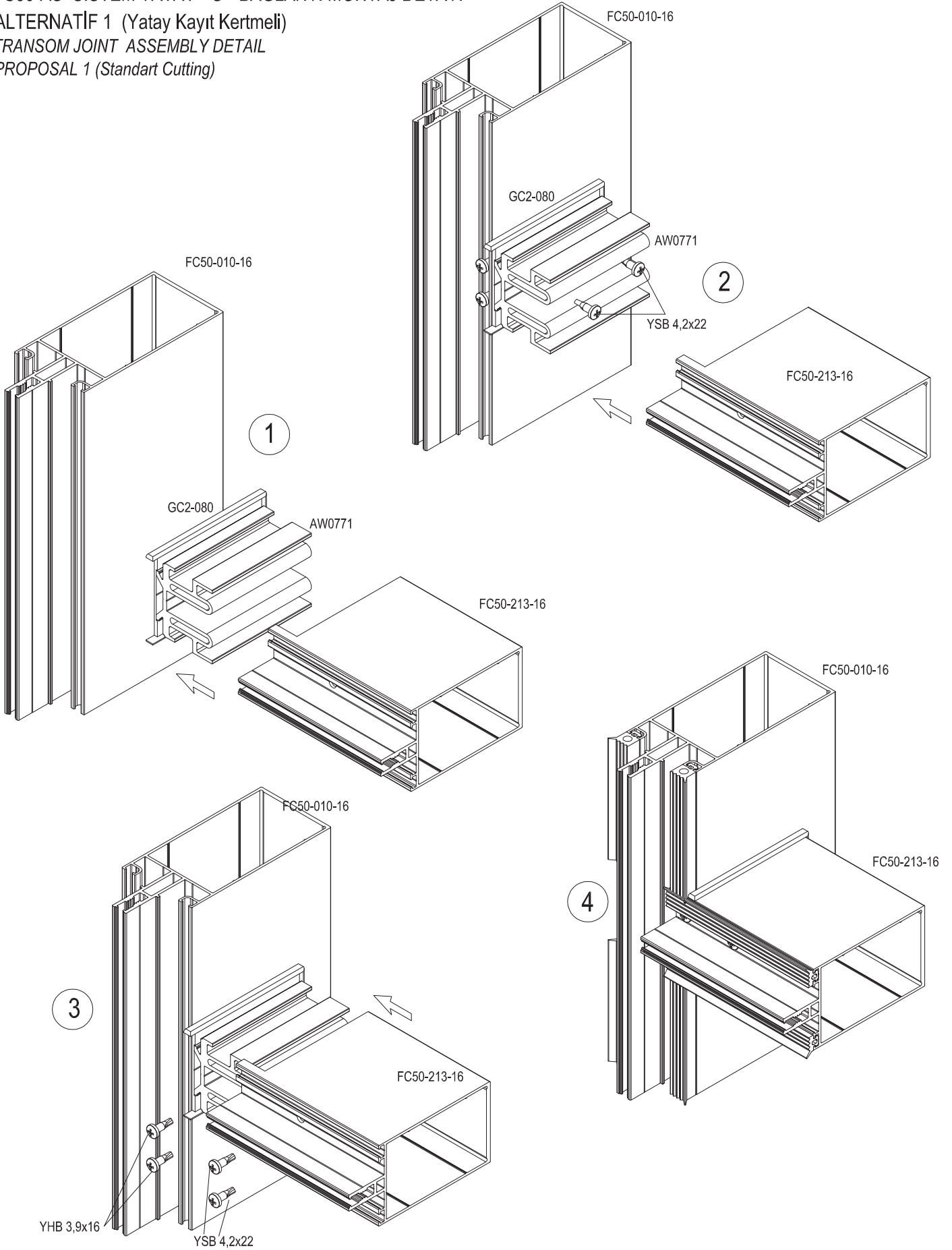
PROPOSAL 2 (Flat Cutting)



## GENEL MONTAJ ŞEMASI



**FC50-AS SİSTEM YATAY "U" BAĞLANTI MONTAJ DETAYI**  
 ALTERNATİF 1 (Yatay Kayıt Kertmeli)  
 TRANSOM JOINT ASSEMBLY DETAIL  
 PROPOSAL 1 (Standart Cutting)



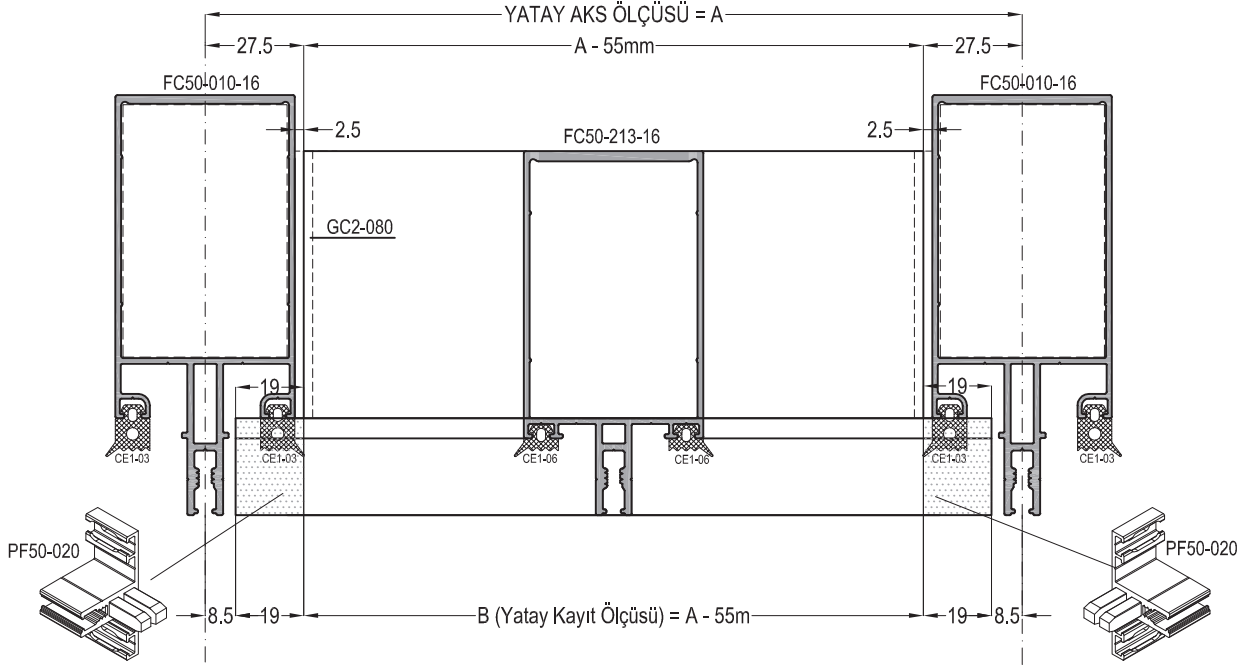


## FC50-AS SİSTEM YATAY "U" BAĞLANTI PROFİL KESİM ÖLÇÜSÜ

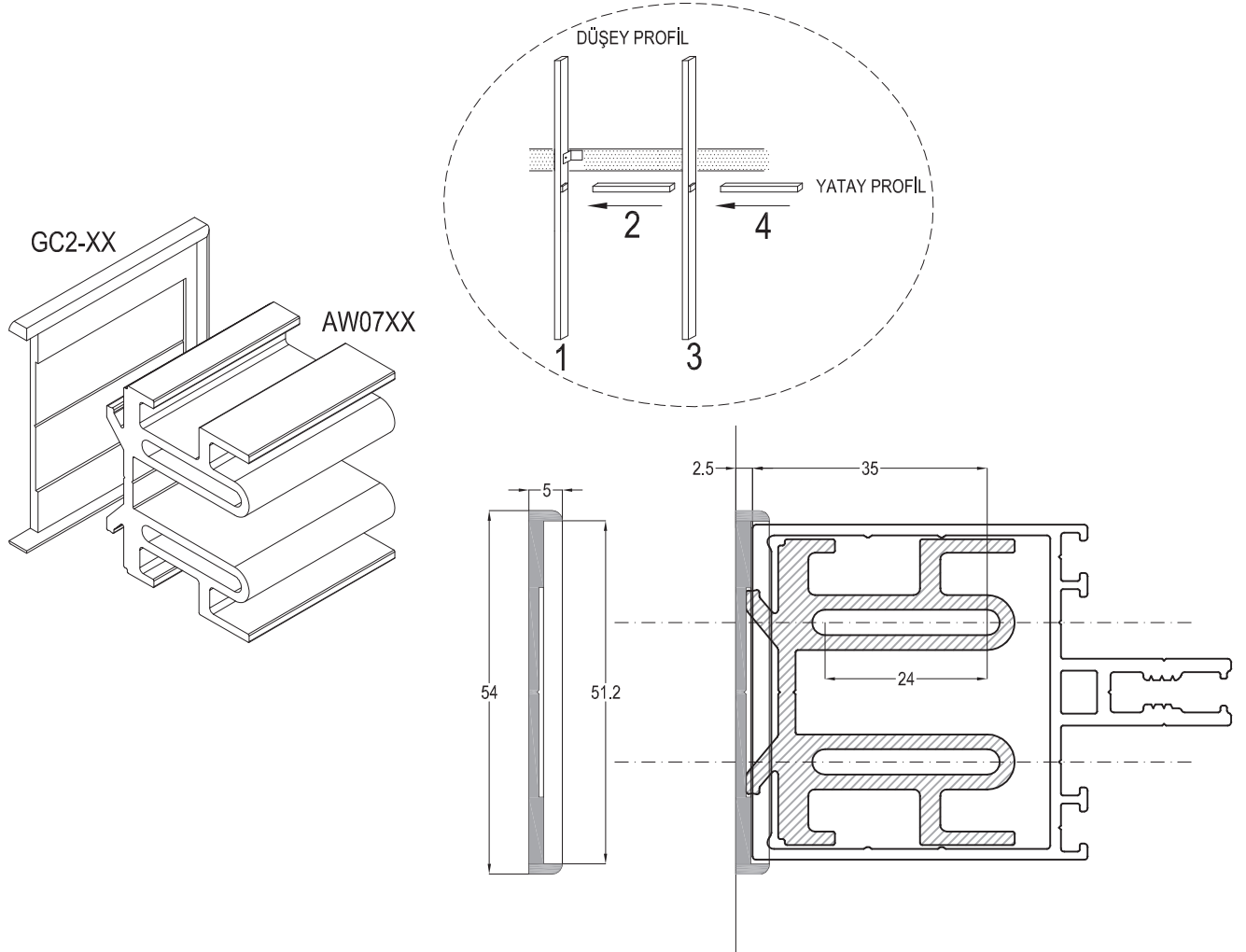
ALTERNATİF 2 (Yatay Kayıt Kertmesiz)

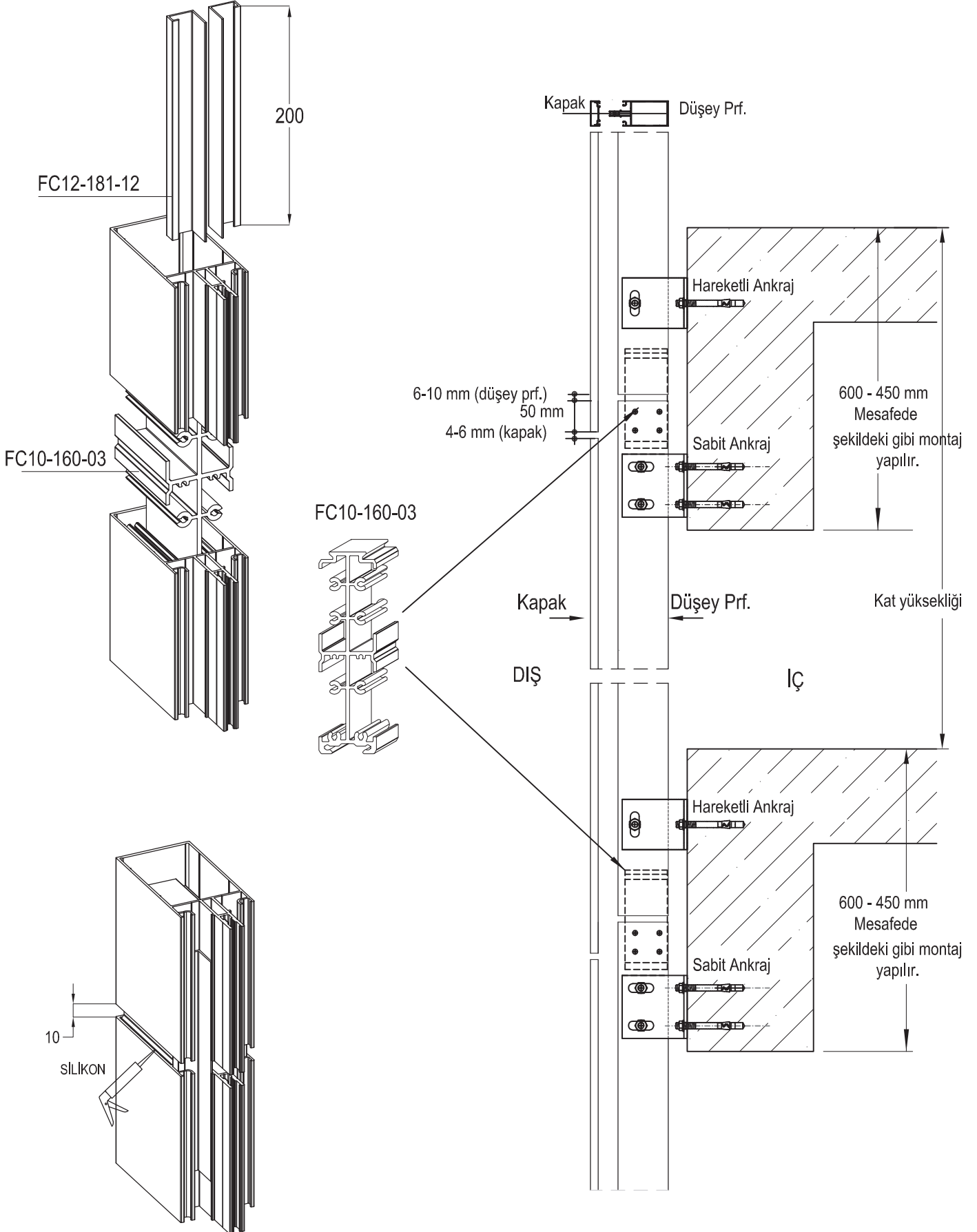
TRANSOM JOINT "U" TYPE

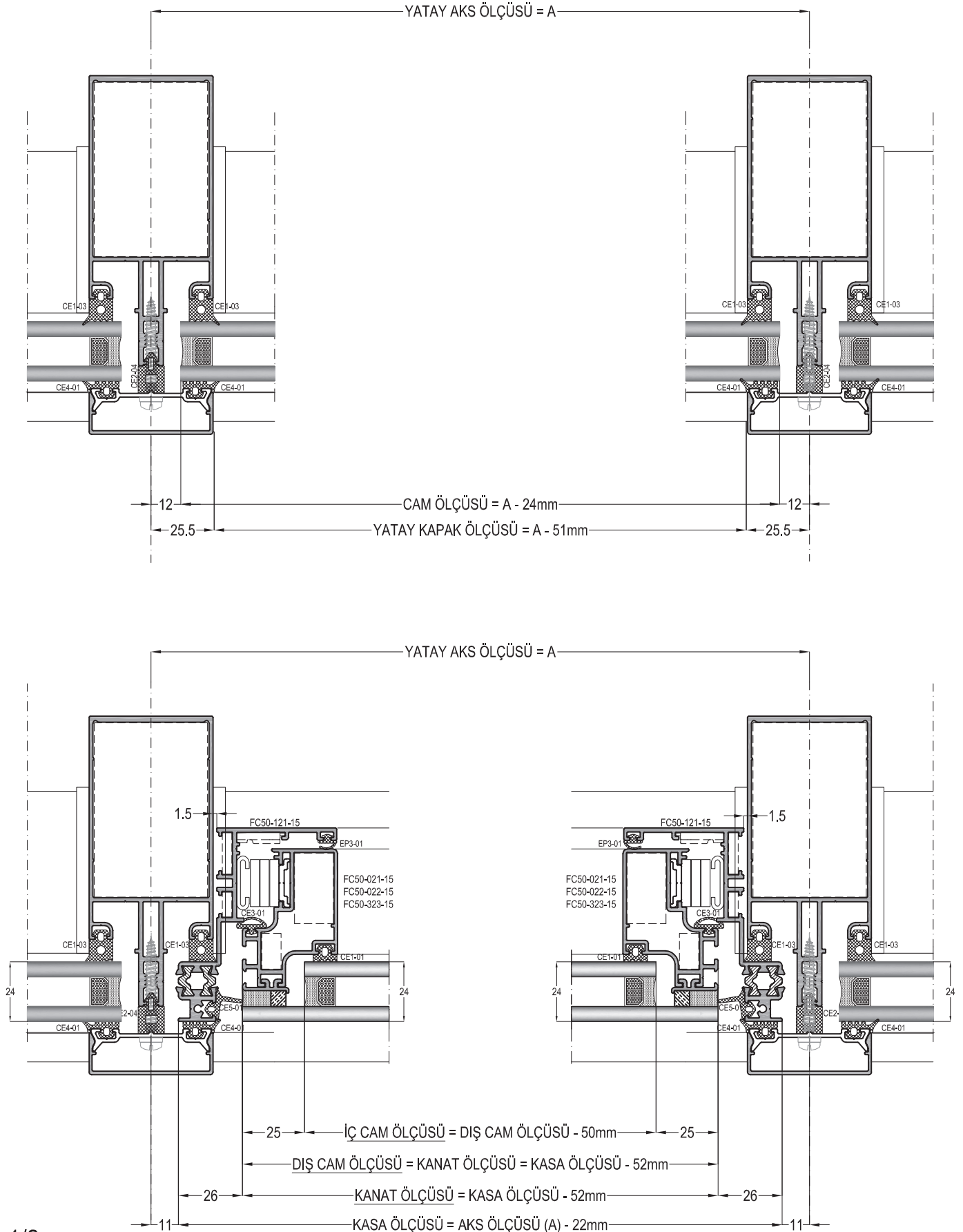
PROPOSAL 2 (Flat Cutting)

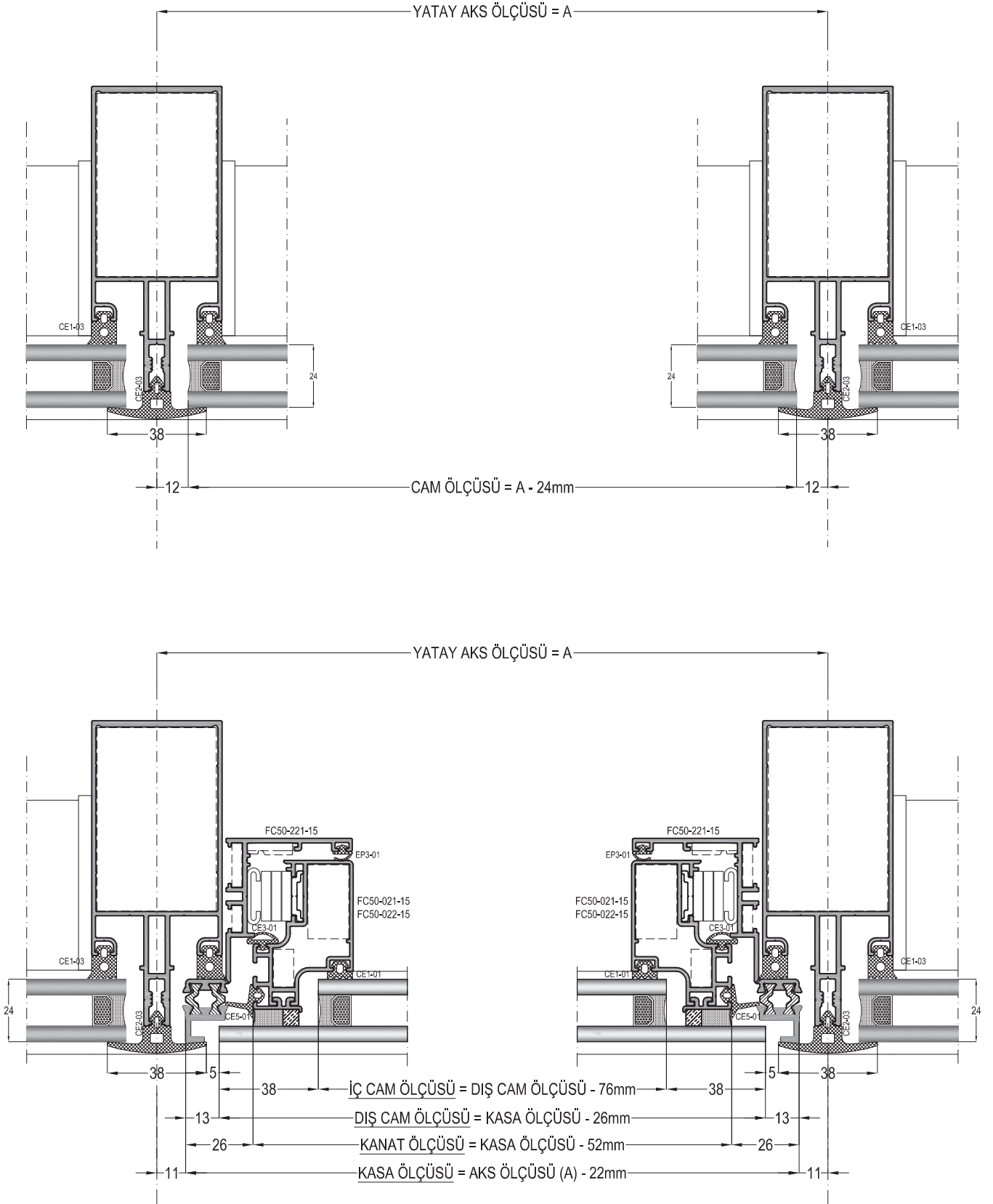


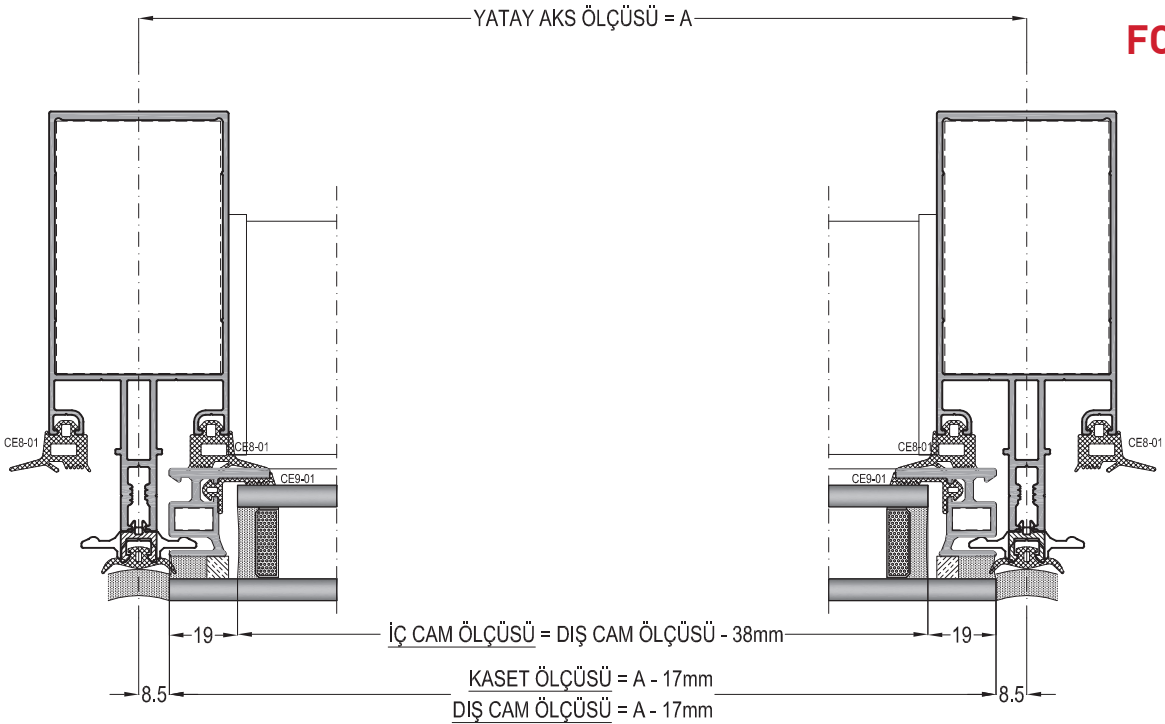
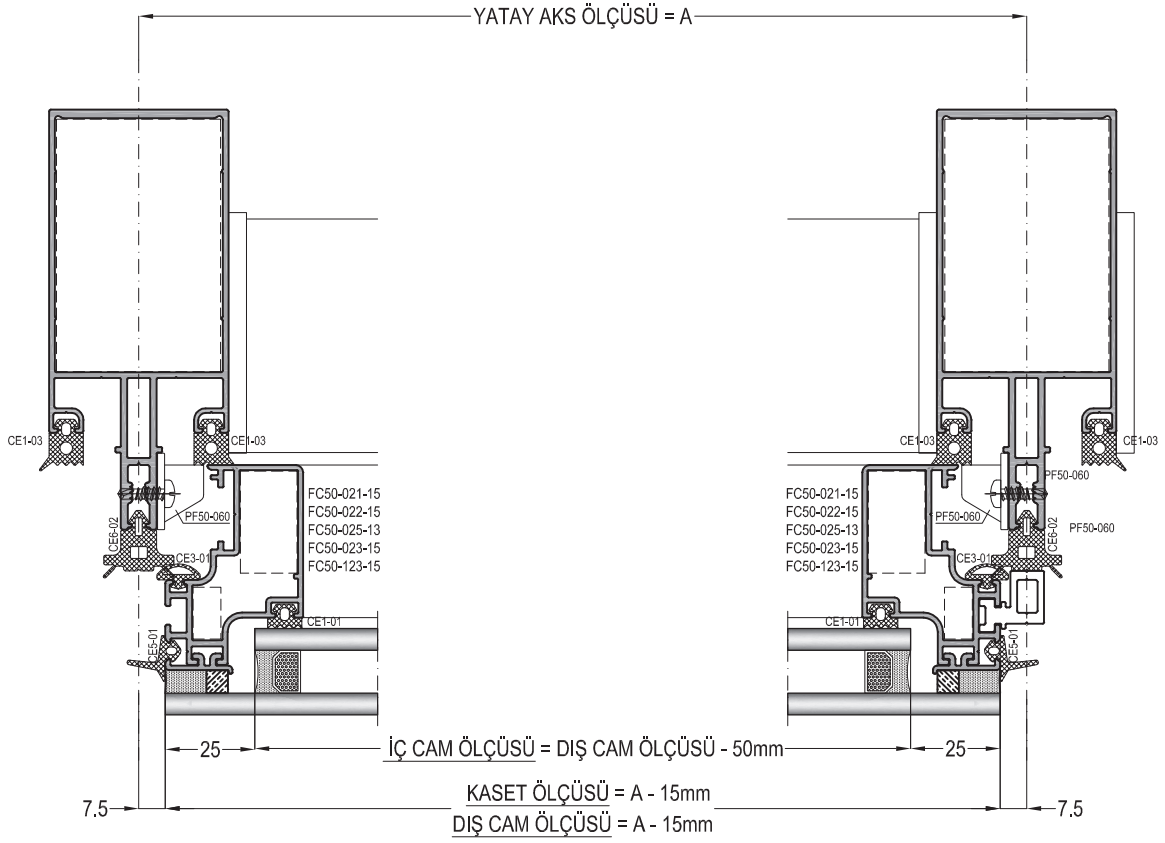
## GENEL MONTAJ ŞEMASI

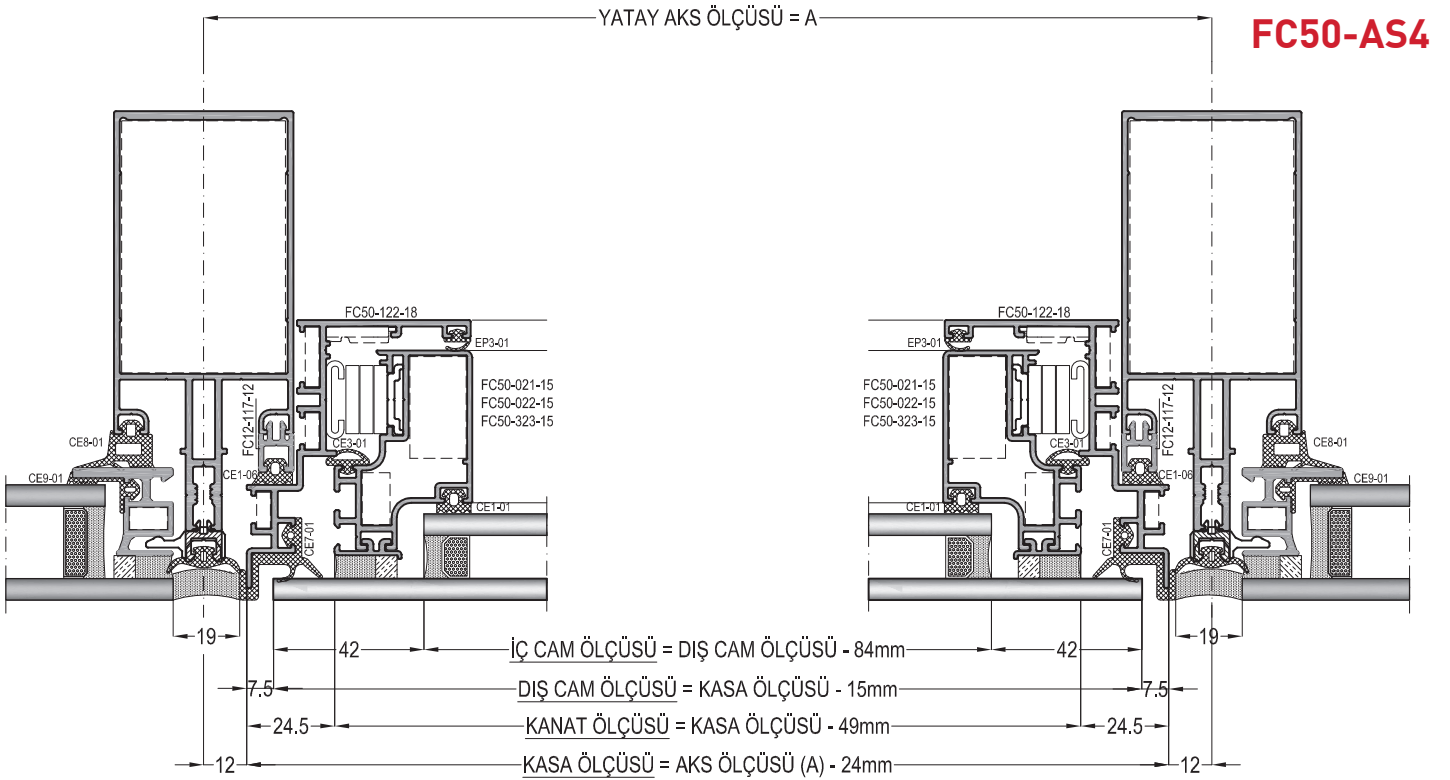
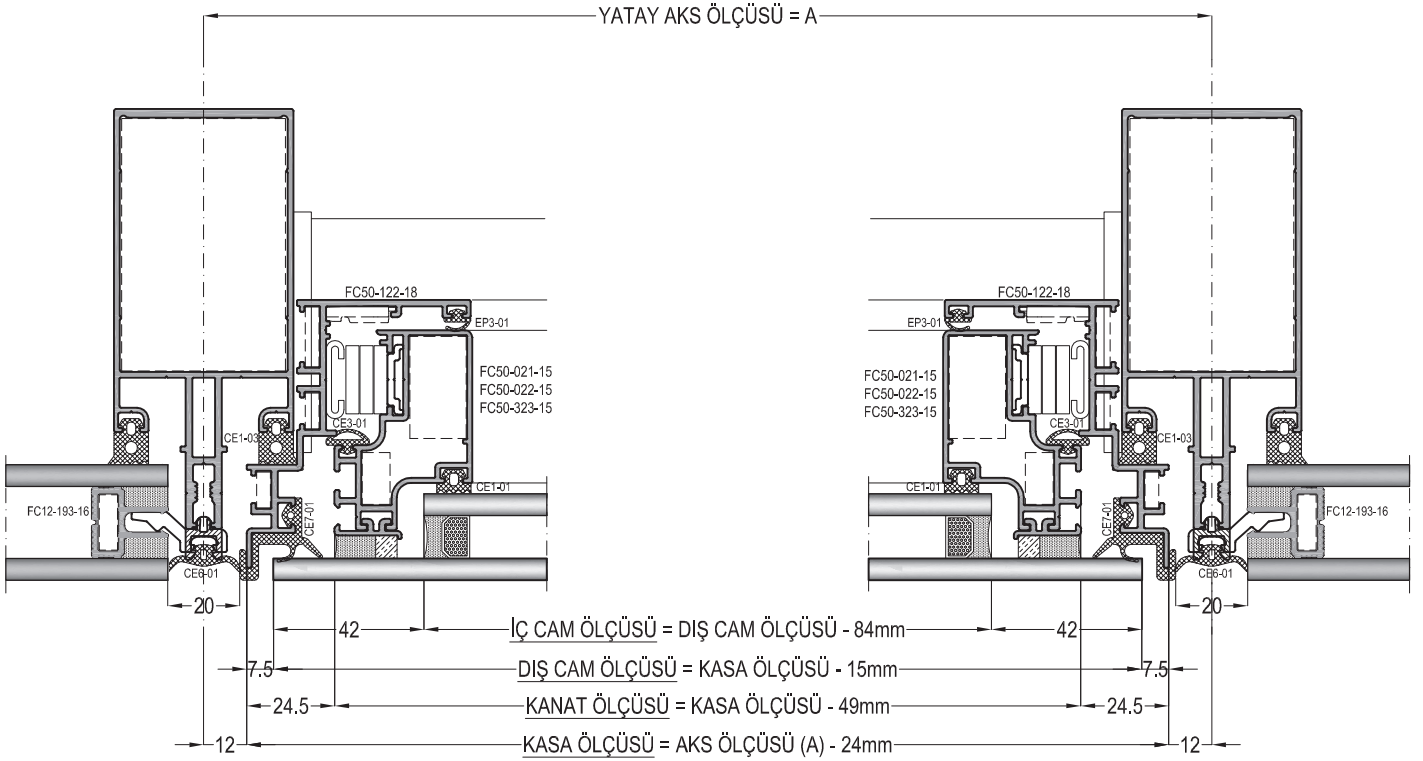




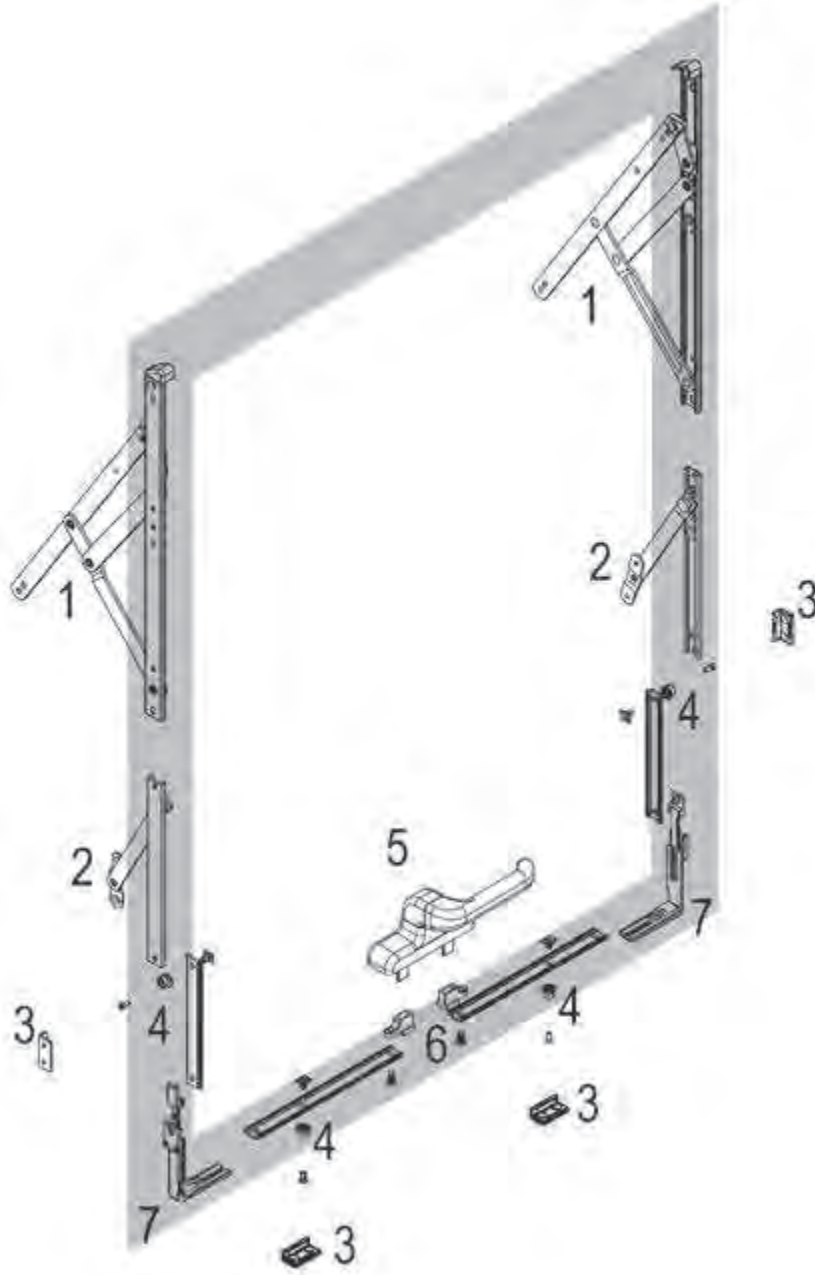






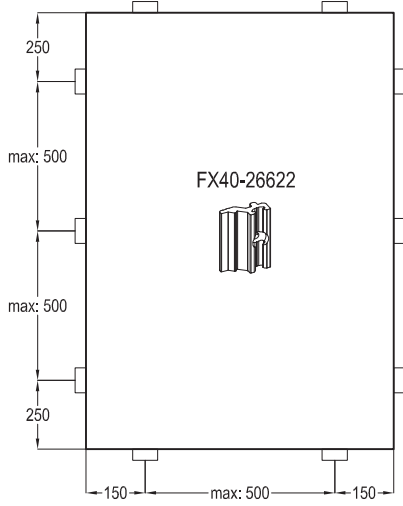


CEPHE DIŞA AÇILIR KANAT AKSESUARLARI  
FACADE OUTER OPENING SASH ACCESSORIES



1 - FC50-CWA 16 / 28	: 2 ADET
2 - FC50-LA 01	: 2 ADET
3 - ASI-RS 002	: 4 ADET
4 - ASI-RP 001	: 4 ADET
5 - FC50-WH 01	: 1 ADET
6 - FC50-WH A01	: 1 TAKIM
7 - FC50-CD 01	: 2 ADET

KANAT MAKASI - Facade Restrictor
KANAT LİMİTLEME - Limitation Arm (Kanat ebatlarına bağlı olarak ilave kullanılır)
PİM KARŞILIĞI - Rod Pawl Striker
AYARLI PİM - Adjustable Locking Pawl
PENCERE KOLU - Window Handle
KOL İLETİŞİM PARÇASI - Window Handle Connector
KÖŞE İLETİŞİM PARÇASI - Corner Drive



FX40-26622  
(FC12-266-22)

FX40-02320  
(FC12-023-20)

FX40-22020  
(FC12-220-20)

YSB INOX VİDA  
4,8 x 32

