

**TH68 - 1,8mm**

YALITIMLI KAPI-PENCERE SİSTEMİ  
THERMAL WINDOW&DOOR SYSTEM

**ASISTAL**

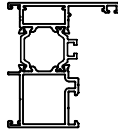
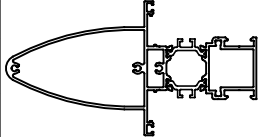
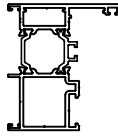
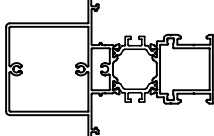
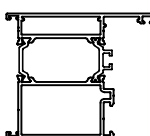
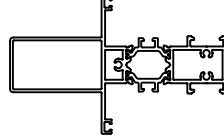
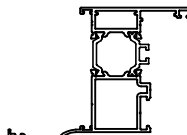
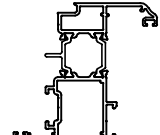
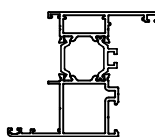
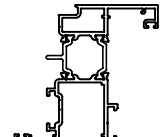
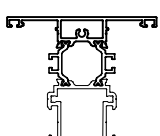
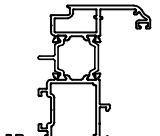
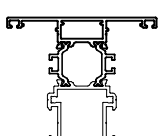
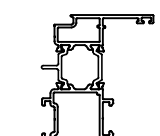
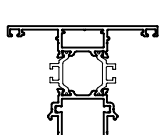
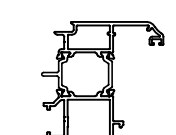
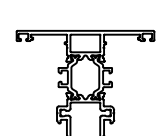
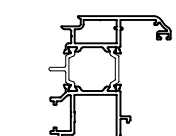
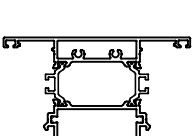
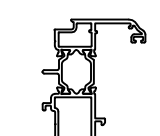
**PROFİL VE AKSESUAR LİSTELERİ**  
*PROFILE & ACCESSORIES LISTS*

# TH68 - 1,8mm

YALITIMLI KAPI-PENCERE SİSTEMİ  
THERMAL WINDOW&DOOR SYSTEM

## ASISTAL

### PROFİL LİSTESİ - PROFILES LIST

TH68 01	Jx cm <sup>4</sup> 31,76	Jy cm <sup>4</sup> 12,32		TH68 24	Jx cm <sup>4</sup> 189,09	Jy cm <sup>4</sup> 30,06	
KASA PROFİLİ-60 mm FRAME PROFILE	AĞIRLIK / Weight 1,556 kg/mt			TAKVİYELİ ORTA KAYIT PROFİLİ SUPPORTED MULLION PROFILE	AĞIRLIK / Weight 2,825 kg/mt		
TH68 201	Jx cm <sup>4</sup> 35,28	Jy cm <sup>4</sup> 13,29		TH68 25	Jx cm <sup>4</sup> 107,86	Jy cm <sup>4</sup> 29,63	
KASA PROFİLİ-60 mm 2mm FRAME PROFILE	AĞIRLIK / Weight 1,678 kg/mt			TAKVİYELİ ORTA KAYIT PROFİLİ SUPPORTED MULLION PROFILE	AĞIRLIK / Weight 2,595 kg/mt		
TH68 02	Jx cm <sup>4</sup> 41,14	Jy cm <sup>4</sup> 34,21		TH68 225	Jx cm <sup>4</sup> 94,09	Jy cm <sup>4</sup> 16,52	
KASA PROFİLİ-80 mm FRAME PROFILE	AĞIRLIK / Weight 1,927 kg/mt			TAKVİYELİ ORTA KAYIT PROFİLİ- 2mm SUPPORTED MULLION PROFILE-2MM	AĞIRLIK / Weight 2,256 kg/mt		
TH68 03	Jx cm <sup>4</sup> 43,77	Jy cm <sup>4</sup> 26,72		TH68 11	Jx cm <sup>4</sup> 45,68	Jy cm <sup>4</sup> 18,36	
PERVAZLI KASA PROFİLİ FRAME PROFILE	AĞIRLIK / Weight 1,738 kg/mt			KANAT PROFİLİ SASH PROFILE	AĞIRLIK / Weight 1,765 kg/mt		
TH68 04	Jx cm <sup>4</sup> 38,23	Jy cm <sup>4</sup> 18,04		THS68 11	Jx cm <sup>4</sup> 46,64	Jy cm <sup>4</sup> 19,44	
PERVAZLI KASA PROFİLİ FRAME PROFILE	AĞIRLIK / Weight 1,691 kg/mt			KANAT PROFİLİ-DÜZ SASH PROFILE-FLAT	AĞIRLIK / Weight 1,783 kg/mt		
TH68 21	Jx cm <sup>4</sup> 36,07	Jy cm <sup>4</sup> 18,77		TH68 211	Jx cm <sup>4</sup> 46,64	Jy cm <sup>4</sup> 19,44	
ORTA KAYIT PROFİLİ 81 mm (vidalı) TRANSOM-MULLION PROFILE	AĞIRLIK / Weight 1,774 kg/mt			KANAT PROFİLİ-2mm SASH PROFILE	AĞIRLIK / Weight 1,863 kg/mt		
TH68 22	Jx cm <sup>4</sup> 35,73	Jy cm <sup>4</sup> 18,80		TH68 18	Jx cm <sup>4</sup> 45,48	Jy cm <sup>4</sup> 16,49	
ORTA KAYIT PROFİLİ 81 mm TRANSOM-MULLION PROFILE	AĞIRLIK / Weight 1,741 kg/mt			KANAT PROFİLİ SASH PROFILE	AĞIRLIK / Weight 1,748 kg/mt		
TH68 222	Jx cm <sup>4</sup> 40,04	Jy cm <sup>4</sup> 20,87		TH68 14	Jx cm <sup>4</sup> 48,74	Jy cm <sup>4</sup> 23,14	
ORTA KAYIT PROFİLİ 81 mm - 2 mm TRANSOM-MULLION PROFILE	AĞIRLIK / Weight 1,875 kg/mt			KANAT PROFİLİ MULTI POINT SİSTEM SASH PROFILE-MULTI POINT	AĞIRLIK / Weight 1,884 kg/mt		
TH68 226	Jx cm <sup>4</sup> 31,80	Jy cm <sup>4</sup> 13,97		TH68 214	Jx cm <sup>4</sup> 51,56	Jy cm <sup>4</sup> 23,87	
ORTA KAYIT PROFİLİ 75 mm - 2 mm TRANSOM-MULLION PROFILE	AĞIRLIK / Weight 1,711 kg/mt			KANAT PROFİLİ- 2 mm MULTI POINT SİSTEM SASH PROFILE-MULTI POINT	AĞIRLIK / Weight 1,983 kg/mt		
TH68 23	Jx cm <sup>4</sup> 46,21	Jy cm <sup>4</sup> 47,09		TH68 216	Jx cm <sup>4</sup> 13,25	Jy cm <sup>4</sup> 5,29	
ORTA KAYIT PROFİLİ 102 mm TRANSOM-MULLION PROFILE	AĞIRLIK / Weight 2,218 kg/mt			KANAT PROFİLİ- 2 mm MULTI POINT SİSTEM SASH PROFILE-MULTI POINT	AĞIRLIK / Weight 1,719 kg/mt		

\* Sipariş öncesi kalıp bilgisi kontrol edilmeli

Profil ağırlıklarımız teorik olup; teslim anındaki tartımız geçerlidir.

# TH68 - 1,8mm

YALITIMLI KAPI-PENCERE SİSTEMİ  
THERMAL WINDOW&DOOR SYSTEM



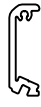






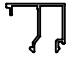

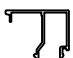



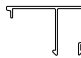






## PROFİL LİSTESİ - PROFILES LIST

THS68 14	Jx cm <sup>4</sup>	Jy cm <sup>4</sup>		THS68 16	Jx cm <sup>4</sup>	Jy cm <sup>4</sup>	
	49,70	24,36			60,11	56,60	
KANAT PROFİLİ-DÜZ MULTI POINT SİSTEM SASH PROFILE-MULTI POINT	AĞIRLIK / Weight			DİŞA AÇILIR KAPI KANAT PROFİLİ-MULTI POINT OUTWARD OPENING DOOR SASH PROFILE-MULTI POINT	AĞIRLIK / Weight		
	1,902 kg/mt				2,329 kg/mt		
TH68 12	Jx cm <sup>4</sup>	Jy cm <sup>4</sup>		TH68 31	Jx cm <sup>4</sup>	Jy cm <sup>4</sup>	
	57,09	45,77			131,71	65,85	
İÇE AÇILIR KAPI KANAT PROFİLİ INNER OPENING DOOR SASH PROFILE	AĞIRLIK / Weight			ETEK PROFİLİ-130 mm BOTTOM PLATE PROFILE	AĞIRLIK / Weight		
	2,160 kg/mt				2,862 kg/mt		
TH68 212	Jx cm <sup>4</sup>	Jy cm <sup>4</sup>		12-37			
	60,97	47,86			AĞIRLIK / Weight		
İÇE AÇILIR KAPI KANAT PROFİLİ-2mm INNER OPENING DOOR SASH PROFILE-2mm	AĞIRLIK / Weight			EŞİK PROFİLİ BOTTOM RAIL PROFILE	AĞIRLIK / Weight		
	2,295 kg/mt				0,821 kg/mt		
TH68 215	Jx cm <sup>4</sup>	Jy cm <sup>4</sup>		TH68 52	Jx cm <sup>4</sup>	Jy cm <sup>4</sup>	
	34,13	27,60			29,52	30,21	
İÇE AÇILIR KAPI-DAR KANAT PROFİLİ-2mm INNER OPENING DOOR SASH PROFILE-2mm	AĞIRLIK / Weight			EKSENEL DÖNÜŞ PROFİLİ CORNER PROFILE	AĞIRLIK / Weight		
	2,145 kg/mt				1,707 kg/mt		
THS68 12	Jx cm <sup>4</sup>	Jy cm <sup>4</sup>		TH68 53	Jx cm <sup>4</sup>	Jy cm <sup>4</sup>	
	57,99	47,45			30,95	34,82	
İÇE AÇILIR KAPI KANAT PROFİLİ-DÜZ INNER OPENING DOOR SASH PROFILE-FLAT	AĞIRLIK / Weight			90° KÖŞE PROFİLİ CORNER PROFILE	AĞIRLIK / Weight		
	2,177 kg/mt				1,562 kg/mt		
TH68 15	Jx cm <sup>4</sup>	Jy cm <sup>4</sup>		TH68 41			
	60,11	54,41			AĞIRLIK / Weight		
İÇE AÇILIR KAPI KANAT PROFİLİ-MULTI POINT INNER OPENING DOOR SASH PROFILE-MULTI POINT	AĞIRLIK / Weight			ÇİFT KANAT ADAPTÖR PROFİLİ DOUBLE SASH ADAPTER PROFILE	AĞIRLIK / Weight		
	2,278 kg/mt				1,346 kg/mt		
THS68 15	Jx cm <sup>4</sup>	Jy cm <sup>4</sup>		TH68 42			
	61,05	56,25			AĞIRLIK / Weight		
İÇE AÇILIR KAPI KANAT PROFİLİ-MULTI POINT INNER OPENING DOOR SASH PROFILE-MULTI POINT	AĞIRLIK / Weight			ÇİFT KANAT ADAPTÖR PROFİLİ-MULTI POINT DOUBLE SASH ADAPTER PROFILE - MULTI POINT	AĞIRLIK / Weight		
	2,296 kg/mt				1,367 kg/mt		
TH68 13	Jx cm <sup>4</sup>	Jy cm <sup>4</sup>		TH68 43			
	56,07	45,85			AĞIRLIK / Weight		
DİŞA AÇILIR KAPI KANAT PROFİLİ OUTWARD OPENING DOOR SASH PROFILE	AĞIRLIK / Weight			DİŞA AÇILIR KAPI ADAPTÖR PROFİLİ OUTWARD OPENING DOOR ADAPTER PROFILE	AĞIRLIK / Weight		
	2,190 kg/mt				1,429 kg/mt		
THS68 13	Jx cm <sup>4</sup>	Jy cm <sup>4</sup>		10-010225-00			
	56,95	47,56			AĞIRLIK / Weight		
DİŞA AÇILIR KAPI KANAT PROFİLİ - DÜZ OUTWARD OPENING DOOR SASH PROFILE	AĞIRLIK / Weight			KÖŞE TAKOZU-22,5 mm CORNER JOINT	AĞIRLIK / Weight		
	2,208 kg/mt				3,566 kg/mt		
TH68 16	Jx cm <sup>4</sup>	Jy cm <sup>4</sup>		10-010429-00			
	59,22	54,72			AĞIRLIK / Weight		
DİŞA AÇILIR KAPI KANAT PROFİLİ-MULTI POINT OUTWARD OPENING DOOR SASH PROFILE-MULTI POINT	AĞIRLIK / Weight			KÖŞE TAKOZU-42,7 mm CORNER JOINT	AĞIRLIK / Weight		
	2,311 kg/mt				5,483 kg/mt		

\* Sipariş öncesi kalıp bilgisi kontrol edilmeli


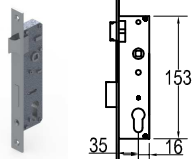


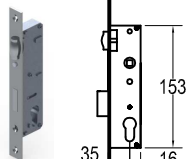










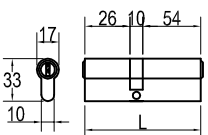
Profil ağırlıklarımız teorik olup; teslim anındaki tartımız geçerlidir.

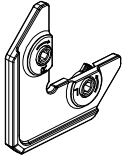
## PROFİL LİSTESİ - PROFILES LIST

12-91			11-026		
DİK BAĞLANTI T JOINT	AĞIRLIK / Weight 0,794 kg/mt		CAM ÇİTASI-26 mm GLAZING BEAD PROFILE	AĞIRLIK / Weight 0,296 kg/mt	
04-025025-12			11-028		
KASA T 'Sİ - 30 mm FRAME BORDER	AĞIRLIK / Weight 0,159 kg/mt		CAM ÇİTASI-28 mm GLAZING BEAD PROFILE	AĞIRLIK / Weight 0,302 kg/mt	
12-41			11-030		
TİJ PROFİLİ SASH PROFILE	AĞIRLIK / Weight 0,118 kg/mt		CAM ÇİTASI-30 mm GLAZING BEAD PROFILE	AĞIRLIK / Weight 0,308 kg/mt	
11-004			11-032		
CAM ÇİTASI-4 mm GLAZING BEAD PROFILE	AĞIRLIK / Weight 0,181 kg/mt		CAM ÇİTASI-32 mm GLAZING BEAD PROFILE	AĞIRLIK / Weight 0,315 kg/mt	
11-006			11-035		
CAM ÇİTASI-6 mm GLAZING BEAD PROFILE	AĞIRLIK / Weight 0,218 kg/mt		CAM ÇİTASI-35 mm GLAZING BEAD PROFILE	AĞIRLIK / Weight 0,323 kg/mt	
11-010			11-038		
CAM ÇİTASI-10 mm GLAZING BEAD PROFILE	AĞIRLIK / Weight 0,233 kg/mt		CAM ÇİTASI-38 mm GLAZING BEAD PROFILE	AĞIRLIK / Weight 0,334 kg/mt	
11-015			11-044		
CAM ÇİTASI-15 mm GLAZING BEAD PROFILE	AĞIRLIK / Weight 0,241 kg/mt		CAM ÇİTASI-44 mm GLAZING BEAD PROFILE	AĞIRLIK / Weight 0,338 kg/mt	
11-017			12-01		
CAM ÇİTASI-17 mm GLAZING BEAD PROFILE	AĞIRLIK / Weight 0,250 kg/mt		DAMLALIK PROFİLİ RAINDROP PROFILE	AĞIRLIK / Weight 0,198 kg/mt	
11-020			12-02		
CAM ÇİTASI-20 mm GLAZING BEAD PROFILE	AĞIRLIK / Weight 0,276 kg/mt		DAMLALIK PROFİLİ RAINDROP PROFILE	AĞIRLIK / Weight 0,136 kg/mt	
11-022			12-03		
CAM ÇİTASI-22 mm GLAZING BEAD PROFILE	AĞIRLIK / Weight 0,282 kg/mt		DAMLALIK PROFİLİ RAINDROP PROFILE	AĞIRLIK / Weight 0,313 kg/mt	



EP1-01			ASI-H 9730		
DIŞ CAM FİTİLİ - 2,5 mm <i>OUTER GLAZING GASKET</i>	KOLİ MİKTARI/Package 240 mt / 15 kg		SİSTEM İKİLİ MENTEŞE <i>DOUBLE SYSTEM HINGE</i>	KOLİ MİKTARI/Package 250 Adet / Piece	
EP2-01			ASI-H 9733		
İÇ CAM FİTİLİ - 3 mm <i>INNER GLAZING GASKET</i>	KOLİ MİKTARI/Package 440 mt / 15 kg		SİSTEM ÜÇLÜ MENTEŞE <i>TRIPLE SYSTEM HINGE</i>	KOLİ MİKTARI/Package 250 Adet / Piece	
EP2-02			ASI-H 3300		
İÇ CAM FİTİLİ - 4 mm <i>INNER GLAZING GASKET</i>	KOLİ MİKTARI/Package 300 mt / 15 kg		SİSTEM KAPI MENTEŞESİ <i>SYSTEM DOOR HINGE</i>	KOLİ MİKTARI/Package Adet / Piece	
EP2-03			ASI-V 820		
İÇ CAM FİTİLİ - 5 mm <i>INNER GLAZING GASKET</i>	KOLİ MİKTARI/Package 250 mt / 15 kg		VASİSTAS AÇILIM KOLU <i>TRANSOM OPENING HANDLE</i>	KOLİ MİKTARI/Package 30 Adet / Piece	
EP4-03			ASI-V 816		
ORTA BİNİ FİTİLİ <i>GASKET FOR OPEN JOINT</i>	KOLİ MİKTARI/Package 100 mt / 15 kg		VASİSTAS AÇILIM KOLU <i>TRANSOM OPENING HANDLE</i>	KOLİ MİKTARI/Package 50 Adet / Piece	
EP3-01			ASI-V 1000		
KANAT BİNİ FİTİLİ <i>SASH GASKET</i>	KOLİ MİKTARI/Package 430 mt / 15 kg		VASİSTAS MAKAS (PVC) <i>TRANSOM RESTRICTER</i>	KOLİ MİKTARI/Package 120 Adet / Piece	
EP3-02			ASI-V 1080		
KASA BİNİ FİTİLİ <i>FRAME GASKET</i>	KOLİ MİKTARI/Package 750 mt / 15 kg		VASİSTAS MAKAS <i>TRANSOM RESTRICTER</i>	KOLİ MİKTARI/Package 60 Adet / Piece	
KF 67-1000			ASI-V 1275-3		
FİRÇA FİTİL <i>BRUSH GASKET</i>	KOLİ MİKTARI/Package 600 mt		VASİSTAS 3 KADEMELİ ÇELİK MAKAS <i>TRANSOM RESTRICTER WITH 3 POSITIONS</i>	KOLİ MİKTARI/Package 10 Adet / Piece	
ASI-F 100A			ASI-V 1275-5		
KAPI ALTI FİRÇASI <i>DOOR BRUSH GASKET</i>	KOLİ MİKTARI/Package Adet / Piece		VASİSTAS 5 KADEMELİ ÇELİK MAKAS <i>TRANSOM RESTRICTER WITH 5 POSITIONS</i>	KOLİ MİKTARI/Package 10 Adet / Piece	
TH68 HOK			ASI-V 0148		
ADAPTÖR KAPAĞI <i>ADAPTER COVER</i>	KOLİ MİKTARI/Package alt-üst 1 takım		VASİSTAS ÇELİK MAKAS <i>TRANSOM STEEL RESTRICTER</i>	KOLİ MİKTARI/Package 100 Adet / Piece	

<b>ASI-WH 003</b>			<b>ASI-153 35</b>		
TEK DİLLİ EKSENEL KOL WINDOW HANDLE	KOLİ MİKTARI/Package Adet / Piece		DİLLİ KİLİT MOURTISE LOCK WITH CYLINDER	KOLİ MİKTARI/Package Adet / Piece	
<b>ASI-WH 004</b>			<b>ASI-LS 90815D</b>		
ÇİFT DİLLİ EKSENEL KOL WINDOW HANDLE	KOLİ MİKTARI/Package Adet / Piece		DİLLİ KİLİT KARŞILIĞI LOCK STRIKES	KOLİ MİKTARI/Package Adet / Piece	
<b>ASI-KA M108</b>			<b>ASI-155 35</b>		
EKSENEL KOL KİLİTLEME MEKANİZMASI LOCKING FOR WINDOW	KOLİ MİKTARI/Package Adet / Piece		MAKARALI KİLİT MOURTISE LOCK WITH ROLLER	KOLİ MİKTARI/Package Adet / Piece	
<b>ASI-KA P200</b>			<b>ASI-LS 90185M</b>		
EKSENEL KOL KİLİTLEME MEKANİZMASI LOCKING FOR WINDOW	KOLİ MİKTARI/Package Adet / Piece		MAKARALI KİLİT KARŞILIĞI ROLLER LOCK STRIKES	KOLİ MİKTARI/Package Adet / Piece	
<b>ASI-KA VNT</b>			<b>ASI-B 2217</b>		
KANAT SABİTLEME SASH FIXING	KOLİ MİKTARI/Package Adet / Piece		SÜRGÜ KİLİTLEME-KISA SASH FIXING LOCK-SHORT	KOLİ MİKTARI/Package 240 Adet / Piece	
<b>ASI-WH 001</b>			<b>ASI-B 2215</b>		
KARE MİLLİ PENCERE KOLU WINDOW HANDLE	KOLİ MİKTARI/Package Adet / Piece		SÜRGÜ KİLİTLEME-UZUN SASH FIXING LOCK-LONG	KOLİ MİKTARI/Package 120 Adet / Piece	
<b>ASI-DH 002</b>			<b>ASI-RP 001</b>		
KAPI KOLU DOOR HANDLE	KOLİ MİKTARI/Package Adet / Piece		TİJ PİMİ ROD PROFILE LOCKING	KOLİ MİKTARI/Package Adet / Piece	
<b>ASI-DH 60Y</b>			<b>ASI-RS 001</b>		
ÇEKME KAPI KOLU DOOR HANDLE	KOLİ MİKTARI/Package Adet / Piece		PİM KARŞILIĞI ROD PROFILE STRIKES	KOLİ MİKTARI/Package 120 Adet / Piece	
<b>ASI-DH 40KB</b>			<b>ASI-WDC 01</b>		
ÇEKME KAPI KOLU DOOR HANDLE	KOLİ MİKTARI/Package Adet / Piece		YAĞMUR TAHLİYE KAPAĞI WATER REJECT COVER	KOLİ MİKTARI/Package Adet / Piece	
<b>ASI-BRL 90</b>					
90 LİK BAREL CYLINDER 90	KOLİ MİKTARI/Package 250 Adet / Piece				

<b>ASI-FUJI 2000</b>			<b>ASI-KT 2650</b>		
AYARLI KÖŞE GÖNYESİ CORNER ALIGNMENT	KOLİ MİKTARI/Package		KÖŞE TAKOZU CORNER JOINT	KOLİ MİKTARI/Package	
			Adet / Piece		
<b>ASI-SB 19</b>			<b>ASI-KT 2308</b>		
KÖŞE GÖNYESİ CORNER ALIGNMENT	KOLİ MİKTARI/Package		KÖŞE TAKOZU CORNER JOINT	KOLİ MİKTARI/Package	
	1000 Adet / Piece		Adet / Piece		
<b>ASI-SB 19.1</b>			<b>ASI-KT 2319</b>		
KÖŞE GÖNYESİ CORNER ALIGNMENT	KOLİ MİKTARI/Package		KÖŞE TAKOZU CORNER JOINT	KOLİ MİKTARI/Package	
	1000 Adet / Piece		Adet / Piece		
<b>ASI-PB 2326</b>			<b>ASI-KT 3807</b>		
PİMLİ KÖŞE BAĞLANTI CORNER JOINT	KOLİ MİKTARI/Package		KÖŞE TAKOZU CORNER JOINT	KOLİ MİKTARI/Package	
	200 Adet / Piece		Adet / Piece		
<b>ASI-PB 2650</b>			<b>ASI-KT 3830</b>		
PİMLİ KÖŞE BAĞLANTI CORNER JOINT	KOLİ MİKTARI/Package		KÖŞE TAKOZU CORNER JOINT	KOLİ MİKTARI/Package	
	150 Adet / Piece		Adet / Piece		
<b>ASI-KT 1609</b>			<b>ASI-KT 4308</b>		
KÖŞE TAKOZU CORNER JOINT	KOLİ MİKTARI/Package		KÖŞE TAKOZU CORNER JOINT	KOLİ MİKTARI/Package	
	Adet / Piece		Adet / Piece		
<b>ASI-KT 1626</b>			<b>ASI-P 100.1</b>		
KÖŞE TAKOZU CORNER JOINT	KOLİ MİKTARI/Package		ORTA KAYIT BAĞLANTI T JOINT	KOLİ MİKTARI/Package	
	Adet / Piece		250 Adet / Piece		
<b>ASI-KT 1807</b>			<b>ASI-DB 9116</b>		
KÖŞE TAKOZU CORNER JOINT	KOLİ MİKTARI/Package		DİK BAĞLANTI T JOINT	KOLİ MİKTARI/Package	
	Adet / Piece		Adet / Piece		
<b>ASI-KT 1830</b>			<b>ASI-DB 9143</b>		
KÖŞE TAKOZU CORNER JOINT	KOLİ MİKTARI/Package		DİK BAĞLANTI T JOINT	KOLİ MİKTARI/Package	
	Adet / Piece		Adet / Piece		
<b>ASI-KT 2660</b>			<b>ASI-DB 9123</b>		
KÖŞE TAKOZU CORNER JOINT	KOLİ MİKTARI/Package		DİK BAĞLANTI T JOINT	KOLİ MİKTARI/Package	
	Adet / Piece		Adet / Piece		





**TH68 - 1,8mm**

YALITIMLI KAPI-PENCERE SİSTEMİ  
THERMAL WINDOW&DOOR SYSTEM

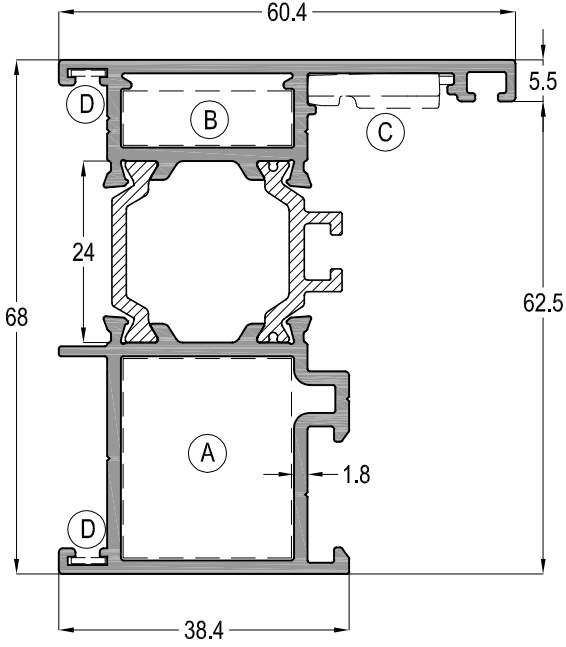
**ASISTAL**





**PROFİL DETAYLARI**  
*PROFILE DETAILS*

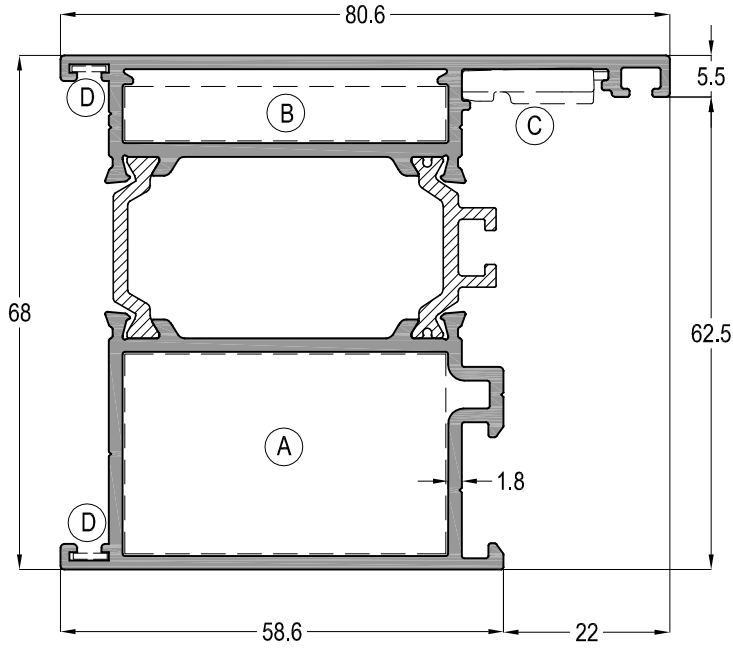
# TH68 - 1,8mm





YALITIMLI KAPI-PENCERE SİSTEMİ  
THERMAL WINDOW&DOOR SYSTEM

ASISTAL



TH68 01				Jx cm <sup>4</sup>	Jy cm <sup>4</sup>
				31,76	12,32
 (A)	 (B)	 (C)	 (D)	AĞIRLIK / Weight	
ASI-KT 2660-ASI-PB 2326	ASI-KT 2308	ASI-FUJII 2000	ASI-SB 19	1,556 kg/mt	

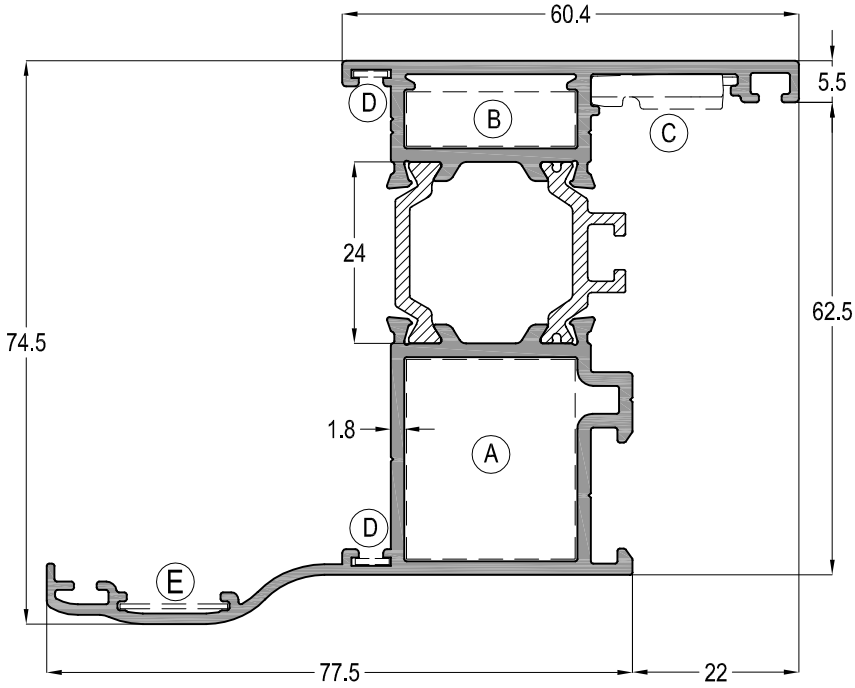


TH68 02				Jx cm <sup>4</sup>	Jy cm <sup>4</sup>
				41,14	34,21
 (A)	 (B)	 (C)	 (D)	AĞIRLIK / Weight	
ASI-KT 2650-ASI-PB 2650	ASI-KT 4308	ASI-FUJII 2000	ASI-SB 19	1,927 kg/mt	

# TH68 - 1,8mm

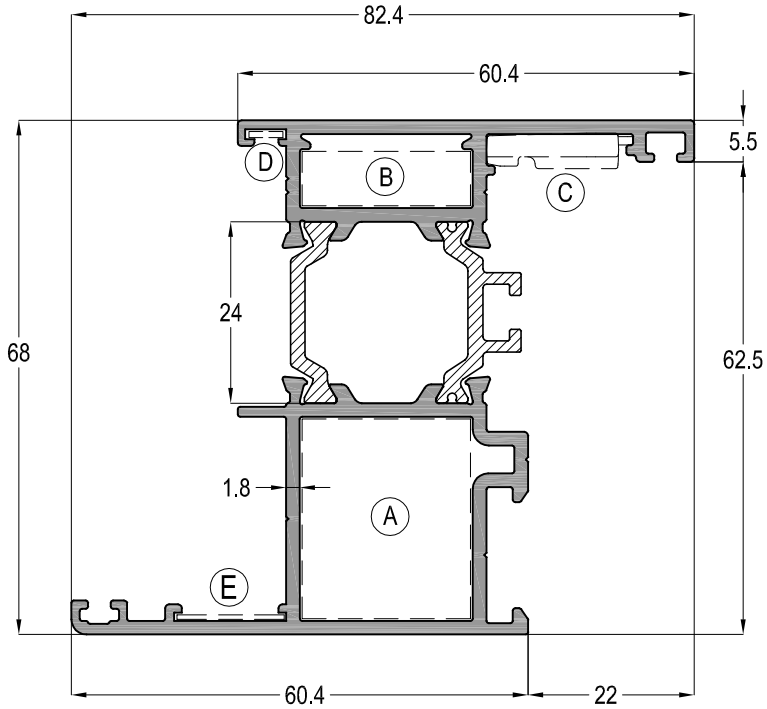
YALITIMLI KAPLI-PENCERE SİSTEMİ  
THERMAL WINDOW&DOOR SYSTEM

ASISTAL



TH68 03				Jx cm <sup>4</sup>	Jy cm <sup>4</sup>
				43,77	26,72
				AĞIRLIK / Weight	
				1,738 kg/mt	

A	B	C	E
ASI-KT 2660-ASI-PB 2326	ASI-KT 2308	ASI-FUJI 2000	ASI-SB 19.1



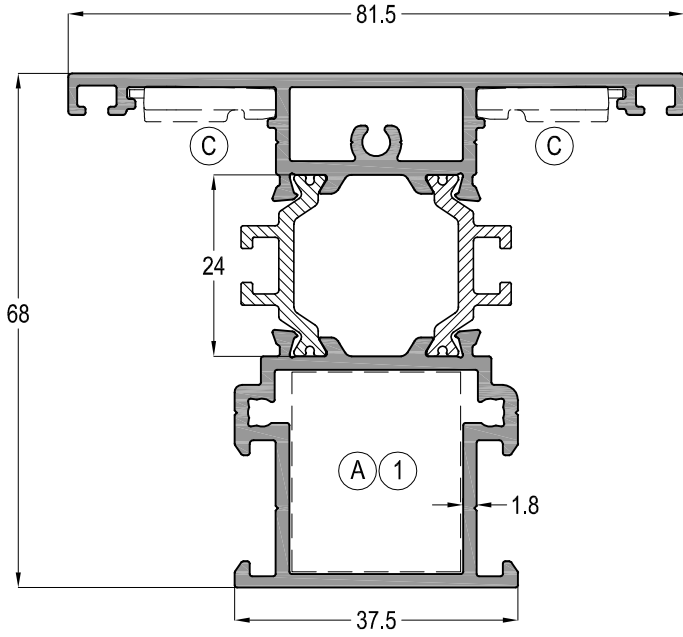
TH68 04				Jx cm <sup>4</sup>	Jy cm <sup>4</sup>
				38,23	18,04
				AĞIRLIK / Weight	
				1,691 kg/mt	

A	B	C	E
ASI-KT 2660-ASI-PB 2326	ASI-KT 2308	ASI-FUJI 2000	ASI-SB 19.1

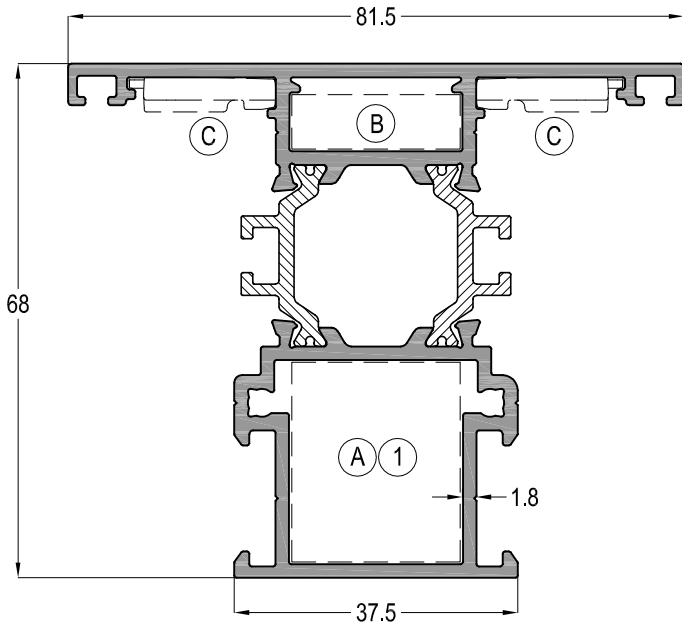
# TH68 - 1,8mm

YALITIMLI KAPI-PENCERE SİSTEMİ  
THERMAL WINDOW&DOOR SYSTEM

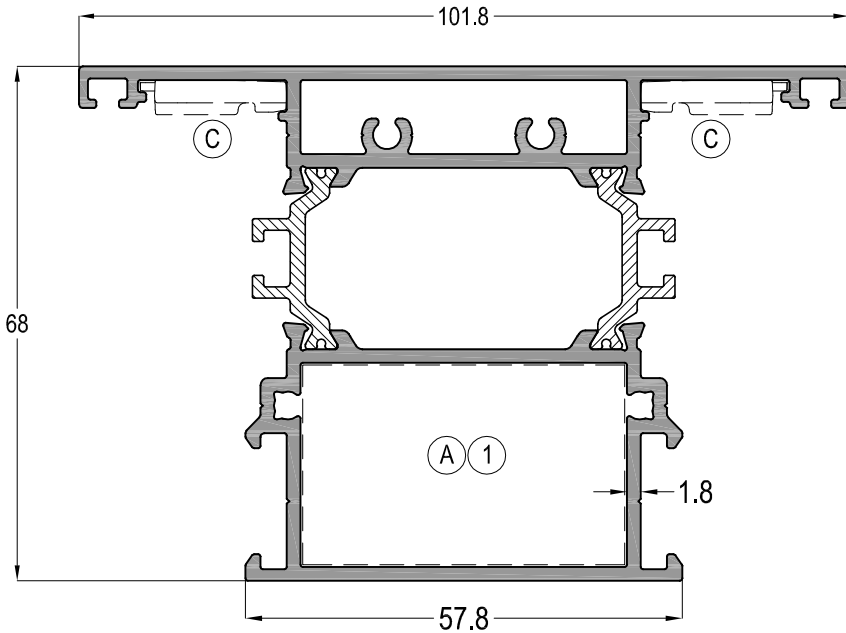
**ASISTAL**



TH68 21			Jx cm <sup>4</sup>	Jy cm <sup>4</sup>
			36,07	18,77
(A)	(C)	(1)	AĞIRLIK / Weight	
ASI-KT 2660-ASI-PB 2326	ASI-FUJI 2000	ASI-DB 9123	1,774 kg/mt	



TH68 22				Jx cm <sup>4</sup>	Jy cm <sup>4</sup>
				35,73	18,80
(A)	(B)	(C)	(1)	AĞIRLIK / Weight	
ASI-KT 2660-ASI-PB 2326	ASI-KT 2308	ASI-FUJI 2000	ASI-DB 9123	1,741 kg/mt	



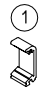
TH68 23			Jx cm <sup>4</sup>	Jy cm <sup>4</sup>
			46,21	47,09
(A)	(C)	(1)	AĞIRLIK / Weight	
ASI-KT 2650-ASI-PB 2650	ASI-FUJI 2000	ASI-DB 9143	2,218 kg/mt	

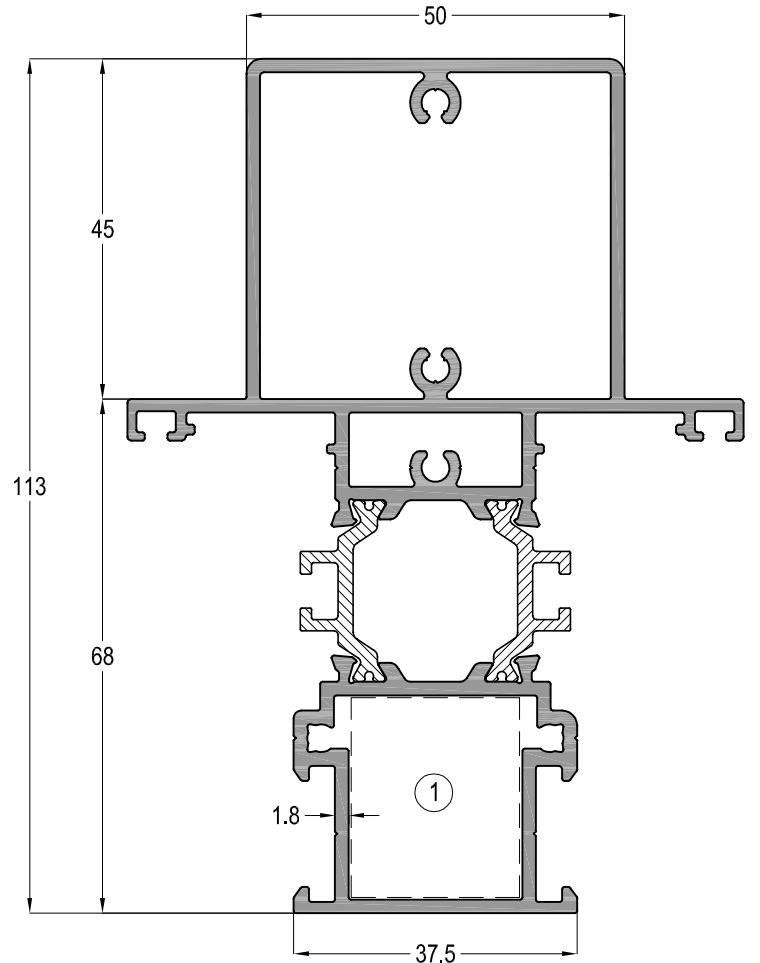
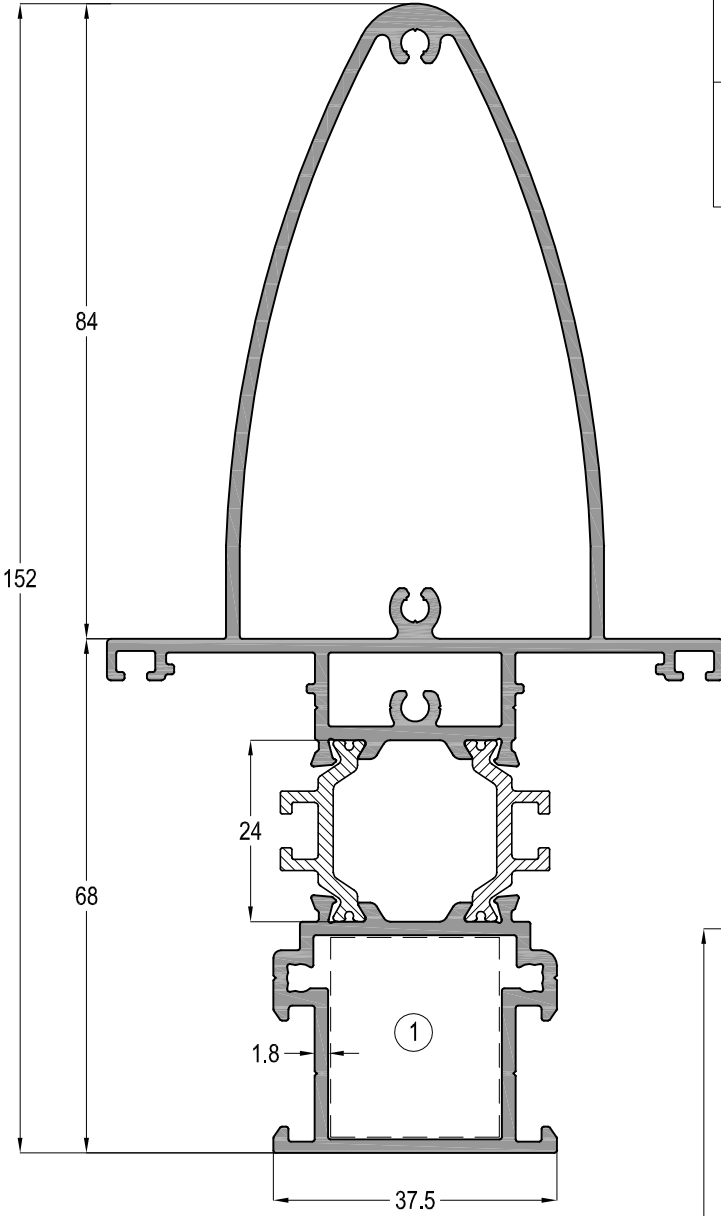
Profil ağırlıklarımız teorik olup; teslim anındaki tartımız geçerlidir.


# TH68 - 1,8mm

YALITIMLI KAPI-PENCERE SİSTEMİ  
THERMAL WINDOW&DOOR SYSTEM



TH68 24	Jx cm <sup>4</sup>	Jy cm <sup>4</sup>
	189,09	30,06
 ASI-DB 9123	AĞIRLIK / Weight	
	2,825 kg/mt	



TH68 25	Jx cm <sup>4</sup>	Jy cm <sup>4</sup>
	107,86	29,63
 ASI-DB 9123	AĞIRLIK / Weight	
	2,595 kg/mt	

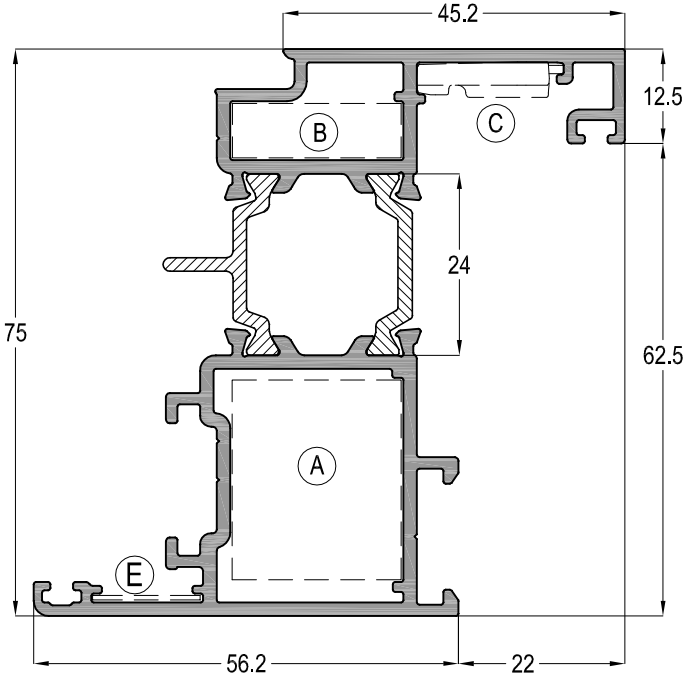
Profil ağırlıklarımız teorik olup; teslim anındaki tartımız geçerlidir.

# TH68 - 1,8mm

YALITIMLI KAPI-PENCERE SİSTEMİ  
THERMAL WINDOW&DOOR SYSTEM

## ASISTAL

### THS SERİSİ DÜZ KANAT PROFİLLERİ THS SERIES FLAT SASH PROFILES

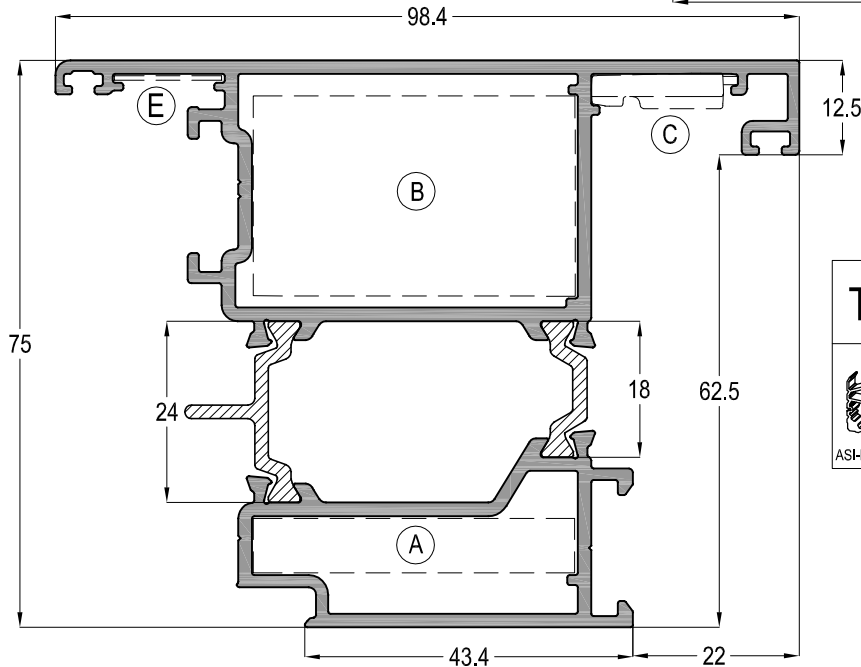
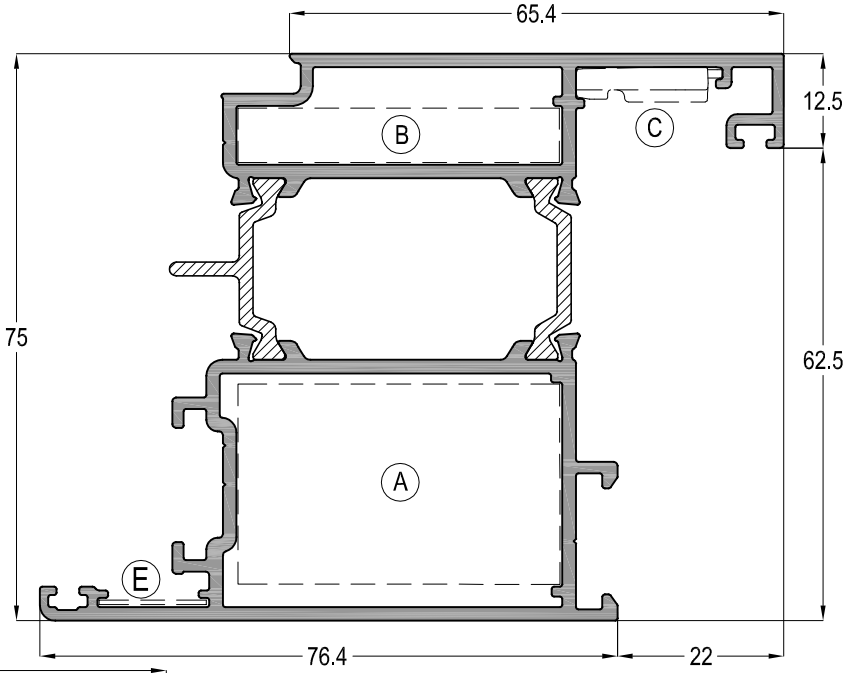


THS68 11		Jx cm <sup>4</sup>	Jy cm <sup>4</sup>
		46,64	19,44
AĞIRLIK / Weight			
		1,783 kg/mt	

ASI-KT 2660-ASI-PB 2326 | ASI-KT 2308 | ASI-FUJI 2000 | ASI-SB 19.1

THS68 12		Jx cm <sup>4</sup>	Jy cm <sup>4</sup>
		57,99	47,45
AĞIRLIK / Weight			
		2,177 kg/mt	

ASI-KT 2650-ASI-PB 2650 | ASI-KT 4308 | ASI-FUJI 2000 | ASI-SB 19.1



THS68 13		Jx cm <sup>4</sup>	Jy cm <sup>4</sup>
		56,95	47,56
AĞIRLIK / Weight			
		2,208 kg/mt	

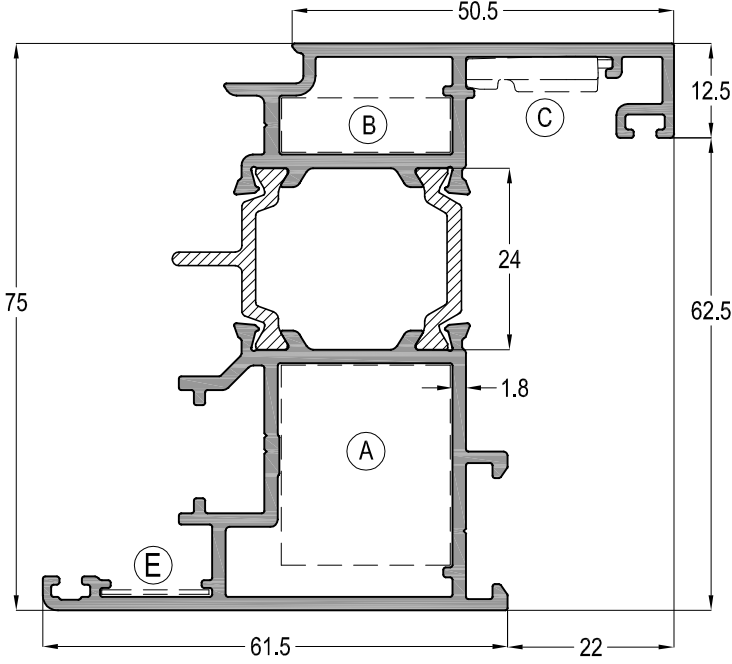
ASI-KT 2650-ASI-PB 2650 | ASI-KT 4308 | ASI-FUJI 2000 | ASI-SB 19.1

Profil ağırlıklarımız teorik olup; teslim anındaki tartımız geçerlidir.

# TH68 - 1,8mm

YALITIMLI KAPLI-PENCERE SİSTEMİ  
THERMAL WINDOW&DOOR SYSTEM

## ASISTAL



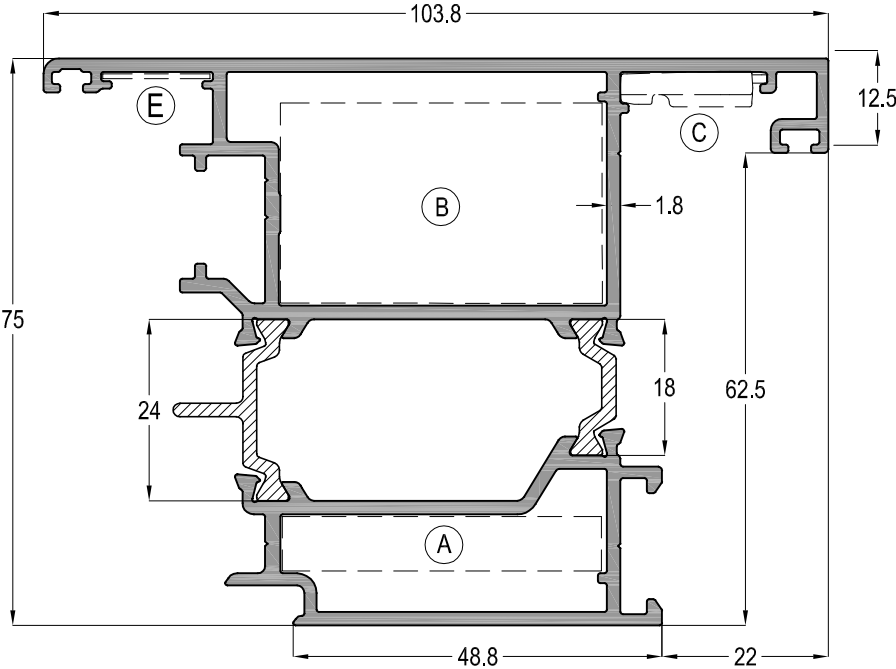
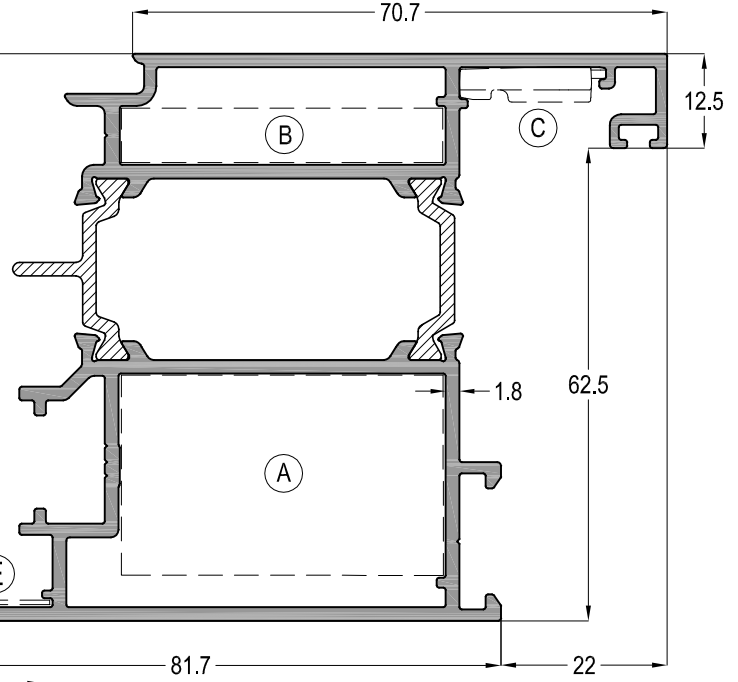
### THS SERİSİ ÇOK NOKTADAN KİLİTLEME KANAT PROFİLLERİ THS SERIES MULTI POINT LOCK SASH PROFILES

THS68 14	Jx cm <sup>4</sup>	Jy cm <sup>4</sup>
	49,70	24,36
AĞIRLIK / Weight		
1,902 kg/mt		

ASI-KT 2660-ASI-PB 2326 | ASI-KT 2308 | ASI-FUJJI 2000 | ASI-SB 19.1

THS68 16	Jx cm <sup>4</sup>	Jy cm <sup>4</sup>
	60,11	56,60
AĞIRLIK / Weight		
2,329 kg/mt		

ASI-KT 2650-ASI-PB 2650 | ASI-KT 4308 | ASI-FUJJI 2000 | ASI-SB 19.1



Profil ağırlıklarımız teorik olup; teslim anındaki tartımız geçerlidir.



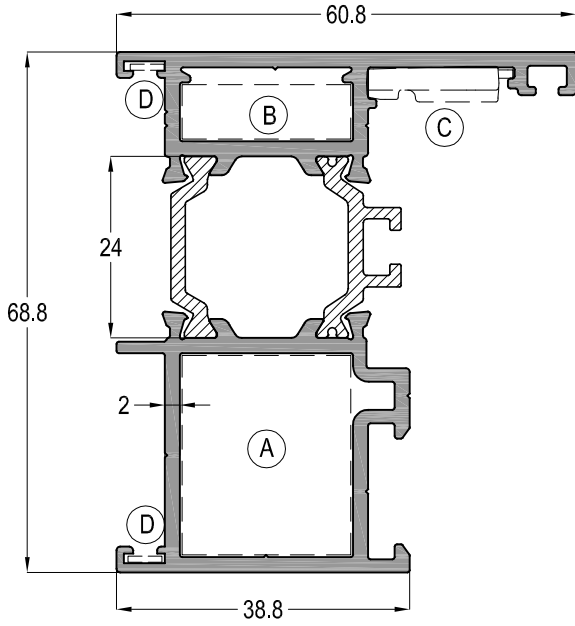
# TH68 - 1,8mm


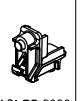
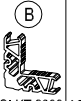
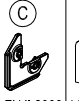
YALITIMLI KAPI-PENCERE SİSTEMİ  
THERMAL WINDOW&DOOR SYSTEM

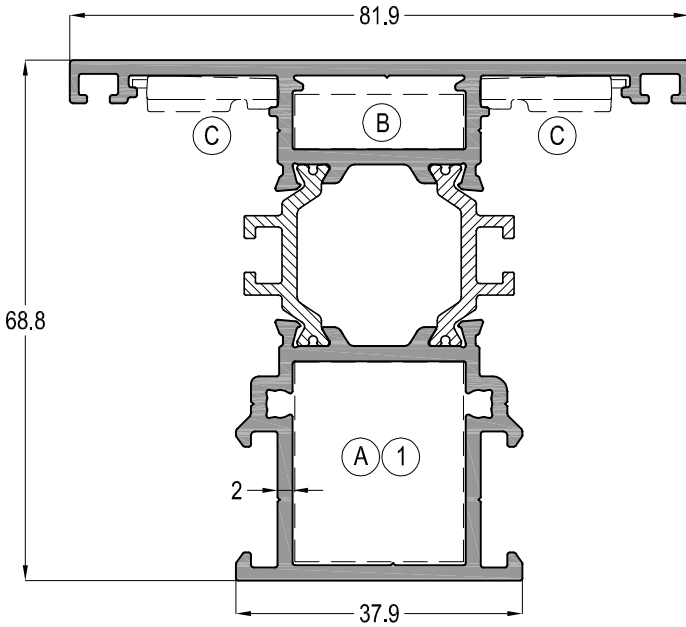
**ASISTAL**


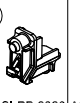
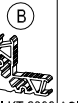

2 mm ET KALINLIĞINDA SİSTEM PROFİLLERİ

2 mm THICKNESS SYSTEM PROFILES



TH68 201				Jx cm <sup>4</sup>	Jy cm <sup>4</sup>
				35,28	13,29
				AĞIRLIK / Weight	
ASI-KT 2660-ASI-PB 2326	ASI-KT 2308	ASI-FUJII 2000	ASI-SB 19	1,678 kg/mt	



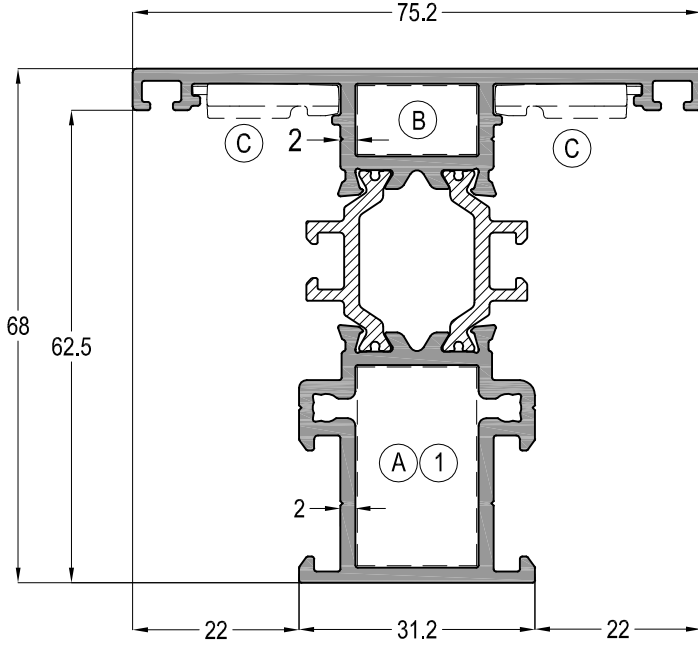
TH68 222				Jx cm <sup>4</sup>	Jy cm <sup>4</sup>
				40,04	20,87
				AĞIRLIK / Weight	
ASI-KT 2660-ASI-PB 2326	ASI-KT 2308	ASI-FUJII 2000	ASI-DB 9123	1,875 kg/mt	

# TH68 - 1,8mm

YALITIMLI KAPI-PENCERE SİSTEMİ  
THERMAL WINDOW&DOOR SYSTEM

**ASISTAL**

2 mm ET KALINLIĞINDA SİSTEM PROFİLLERİ  
2 mm THICKNESS SYSTEM PROFILES



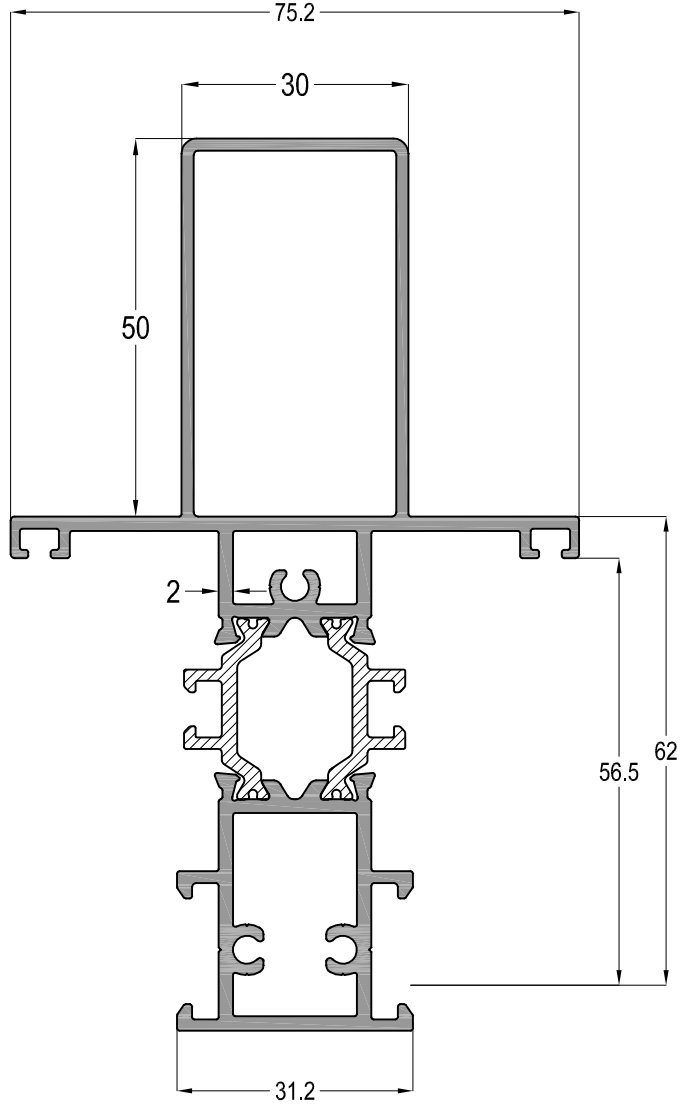
TH68 226				Jx cm <sup>4</sup>	Jy cm <sup>4</sup>
				31,80	13,97
(A)	(B)	(C)	(1)	AĞIRLIK / Weight	
ASI-KT 1626	ASI-KT 1609	ASI-FUJI 2000	ASI-DB 9116	1,711 kg/mt	

# TH68 - 1,8mm

YALITIMLI KAPI-PENCERE SİSTEMİ  
THERMAL WINDOW&DOOR SYSTEM

**ASISTAL**

2 mm ET KALINLIĞINDA SİSTEM PROFİLLERİ  
2 mm THICKNESS SYSTEM PROFILES

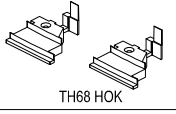


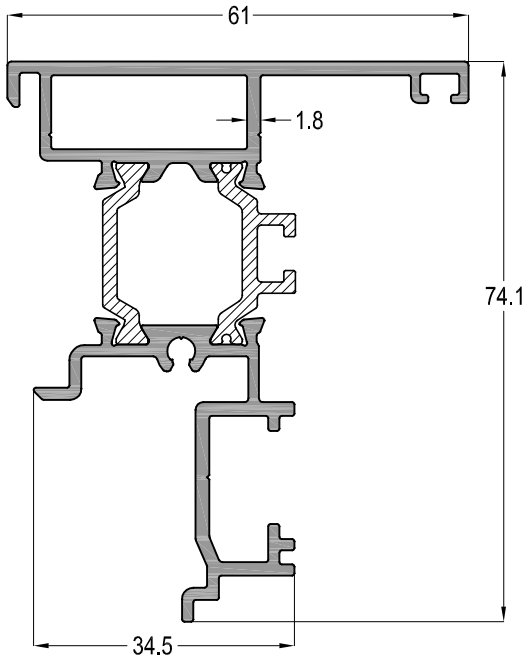
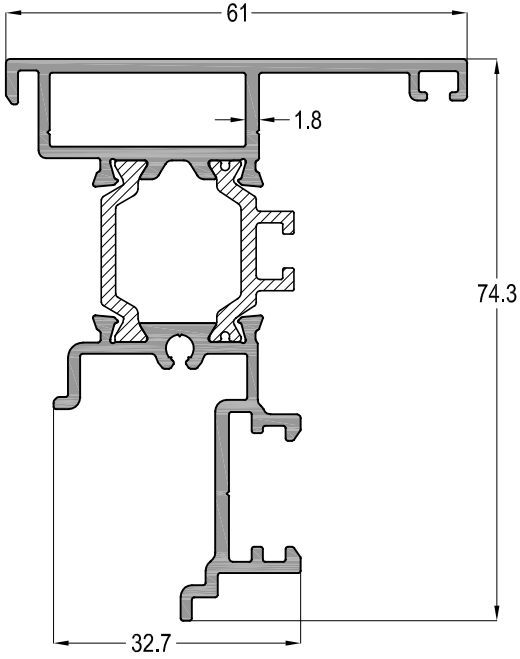
TH68 225	Jx cm <sup>4</sup>	Jy cm <sup>4</sup>
	94,09	16,52
	AĞIRLIK / Weight	
	2,256 kg/mt	

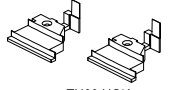
# TH68 - 1,8mm



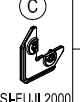
YALITIMLI KAPI-PENCERE SİSTEMİ  
THERMAL WINDOW&DOOR SYSTEM

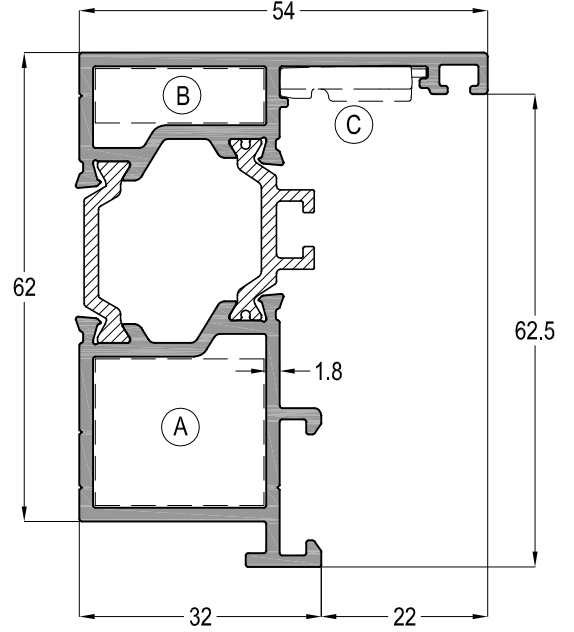


<b>TH68 41</b>	
 TH68 HOK	AĞIRLIK / Weight 1,346 kg/mt



<b>TH68 42</b>	
 TH68 HOK	AĞIRLIK / Weight 1,367 kg/mt

<b>TH68 43</b>			
 AŞİKT 2319	 AŞİ-KT 2308	 AŞİ-FUJİ 2000	AĞIRLIK / Weight 1,429 kg/mt



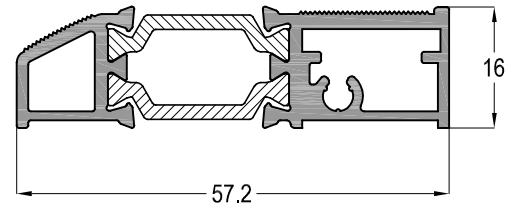
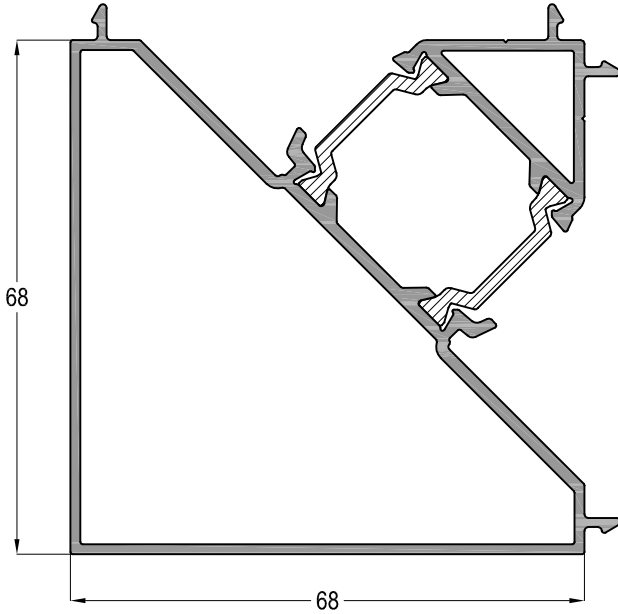
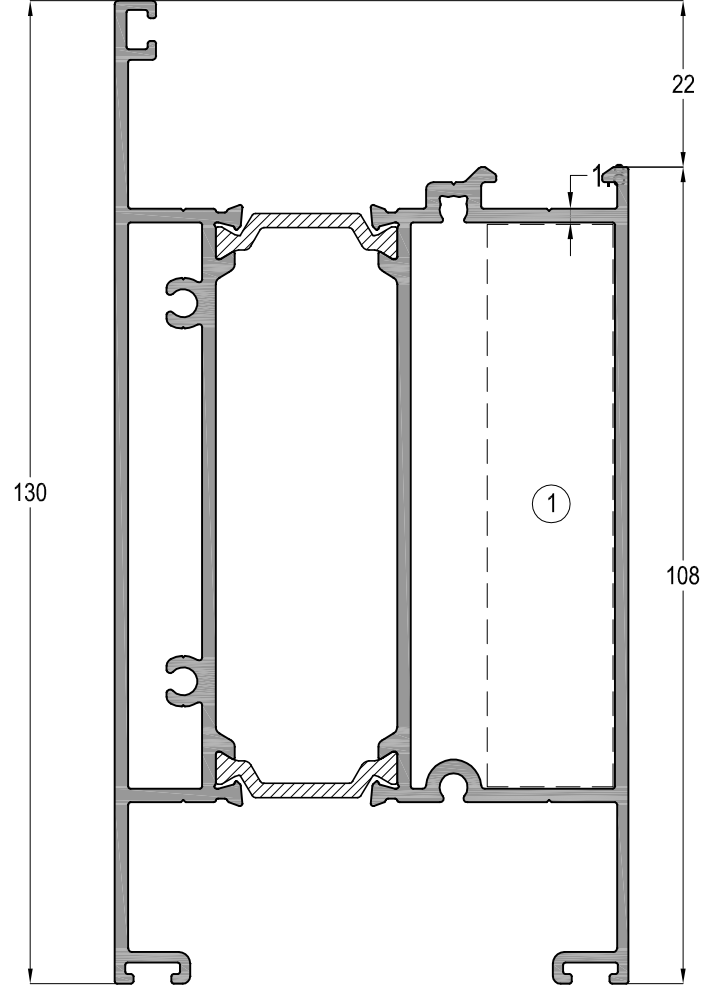
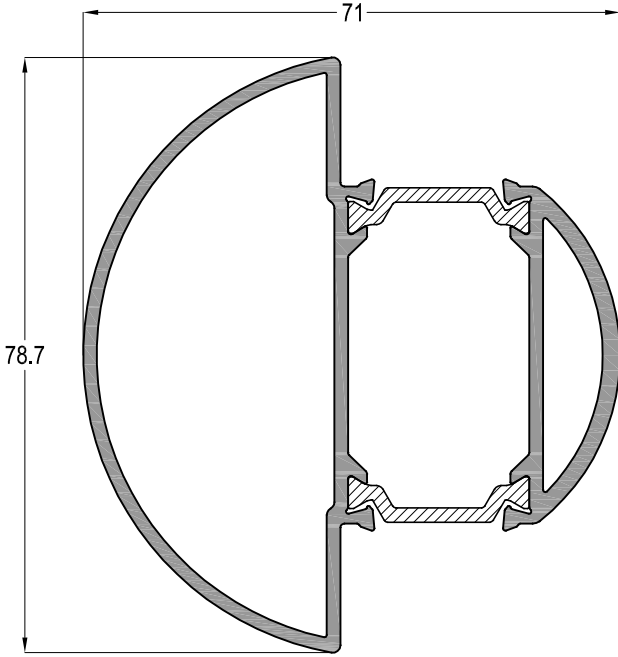
# TH68 - 1,8mm

YALITIMLI KAPI-PENCERE SİSTEMİ  
THERMAL WINDOW&DOOR SYSTEM

## ASISTAL

TH68 52	Jx cm <sup>4</sup>	Jy cm <sup>4</sup>
	29,52	30,21
AĞIRLIK / Weight		
1,707 kg/mt		

TH68 31	Jx cm <sup>4</sup>	Jy cm <sup>4</sup>
	131,71	65,85
AĞIRLIK / Weight		
2,862 kg/mt		



TH68 53	Jx cm <sup>4</sup>	Jy cm <sup>4</sup>
	30,95	34,82
AĞIRLIK / Weight		
1,562 kg/mt		

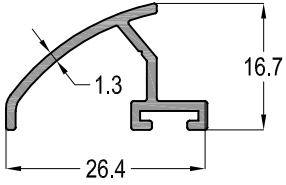
12-37	AĞIRLIK / Weight	
	0,821 kg/mt	

Profil ağırlıklarımız teorik olup; teslim anındaki tartımız geçerlidir.

# TH68 - 1,8mm

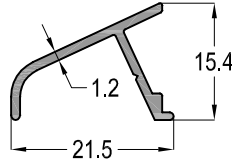
YALITIMLI KAPI-PENCERE SİSTEMİ  
THERMAL WINDOW&DOOR SYSTEM

**ASISTAL**



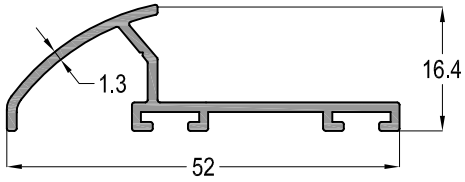
**12-01**

0,198 kg/mt



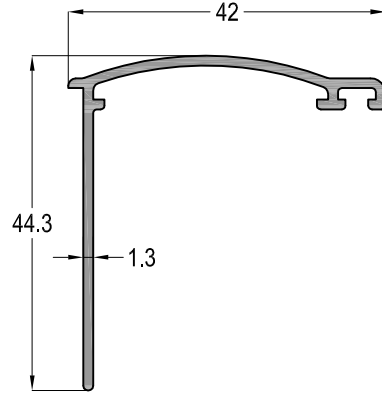
**12-02**

0,136 kg/mt



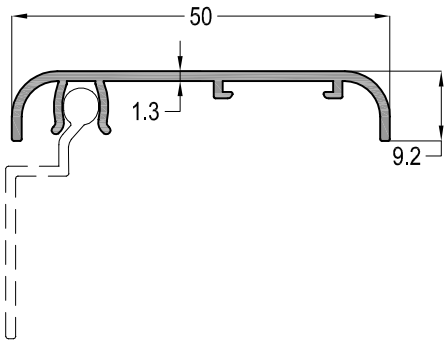
**12-03**

0,313 kg/mt



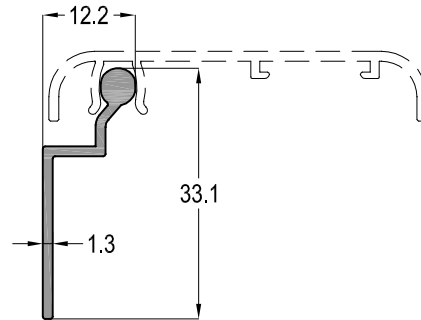
**12-54**

0,326 kg/mt



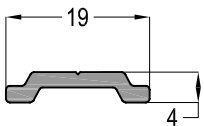
**12-52**

0,279 kg/mt



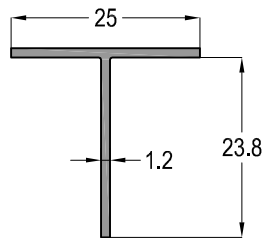
**12-53**

0,177 kg/mt



**12-41**

0,118 kg/mt



**04-025025-12**

0,158 kg/mt

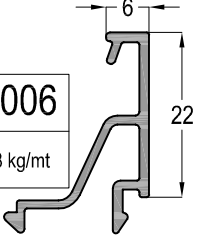
# TH68 - 1,8mm

YALITIMLI KAPLI-PENCERE SİSTEMİ  
THERMAL WINDOW&DOOR SYSTEM

## ASISTAL

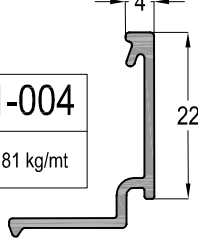
11-006

0,218 kg/mt



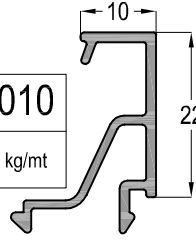
11-004

0,181 kg/mt



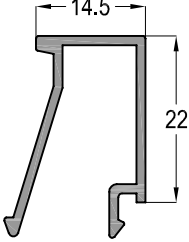
11-010

0,233 kg/mt



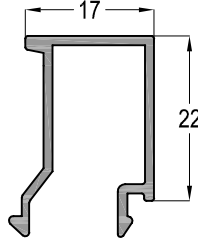
11-015

0,241 kg/mt



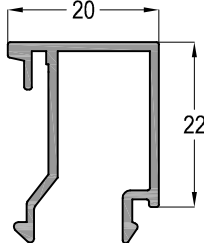
11-017

0,250 kg/mt



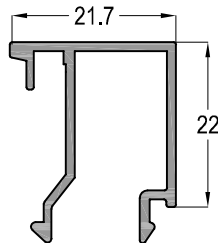
11-020

0,276 kg/mt



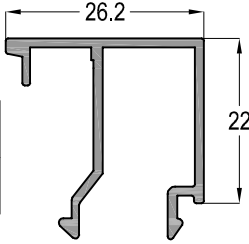
11-022

0,282 kg/mt



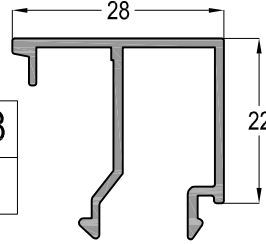
11-026

0,296 kg/mt



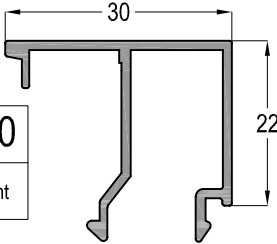
11-028

0,302 kg/mt



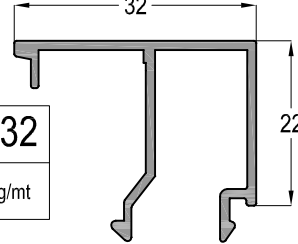
11-030

0,308 kg/mt



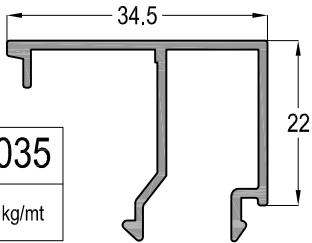
11-032

0,315 kg/mt



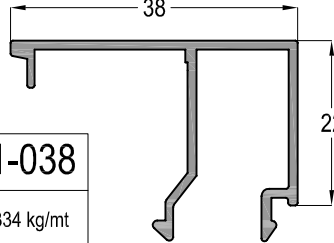
11-035

0,323 kg/mt



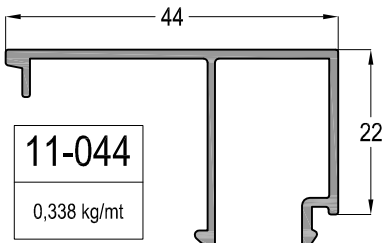
11-038

0,334 kg/mt



11-044

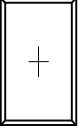
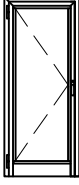
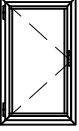
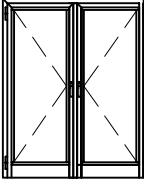
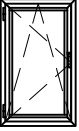
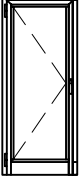
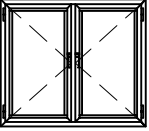
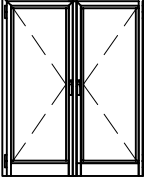
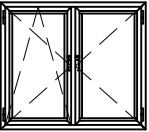
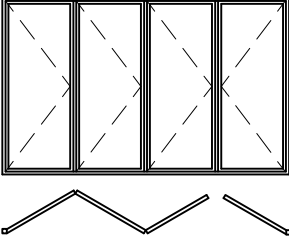
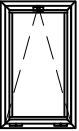
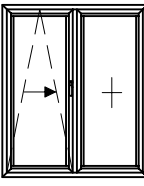
0,338 kg/mt



CAM KALINLIĞINA GÖRE CAM ÇİTASI SEÇİM TABLOSU  
Glazing Bead Selection Table according to the Glass  
Thickness

CAM KALINLIĞI Glass Thickness (mm)	CAM ÇİTASI Glazing Bead	İÇ CAM FİTİLİ Glass Gasket (IN)	DIŞ CAM FİTİLİ Glass Gasket (OUT)
10	11-044	EP2-03	EP1-01
11	11-044	EP2-02	EP1-01
12	11-044	EP2-01	EP1-01
16	11-038	EP2-03	EP1-01
17	11-038	EP2-02	EP1-01
18	11-038	EP2-01	EP1-01
19	11-035	EP2-03	EP1-01
20	11-035	EP2-02	EP1-01
21	11-035	EP2-01	EP1-01
22	11-032	EP2-03	EP1-01
23	11-032	EP2-02	EP1-01
24	11-032	EP2-01	EP1-01
25	11-030	EP2-02	EP1-01
26	11-028	EP2-03	EP1-01
27	11-028	EP2-02	EP1-01
28	11-028	EP2-01	EP1-01
29	11-026	EP2-02	EP1-01
30	11-026	EP2-01	EP1-01
32	11-022	EP2-03	EP1-01
33	11-022	EP2-02	EP1-01
34	11-022	EP2-01	EP1-01
35	11-020	EP2-02	EP1-01
36	11-020	EP2-01	EP1-01
37	11-017	EP2-03	EP1-01
38	11-017	EP2-02	EP1-01
39	11-017	EP2-01	EP1-01
40	11-015	EP2-02	EP1-01
41	11-015	EP2-01	EP1-01
42	11-010	EP2-03	EP1-01
45	11-010	EP2-02	EP1-01
46	11-010	EP2-01	EP1-01
48	11-006	EP2-03	EP1-01
49	11-006	EP2-02	EP1-01
50	11-006	EP2-01	EP1-01
51	11-004	EP2-03	EP1-01
52	11-004	EP2-02	EP1-01

**AÇILIM TİPLERİ** - OPENING TYPES

 <p>SABİT FIXED</p>	 <p>TEK KANAT İÇE AÇILIR KAPI SINGLE INNER OPENING DOOR</p>
 <p>TEK AÇILIR KANAT SINGLE OPENING SASH</p>	 <p>ÇİFT KANAT İÇE AÇILIR KAPI DOUBLE INNER OPENING DOOR</p>
 <p>TEK KANAT ÇİFT EKSEN AÇILIM KANAT SINGLE TILT-TURN OPENING SASH</p>	 <p>TEK KANAT DIŞA AÇILIR KAPI SINGLE OUTER OPENING DOOR</p>
 <p>ÇİFT AÇILIR KANAT DOUBLE OPENING SASH</p>	 <p>ÇİFT KANAT DIŞA AÇILIR KAPI DOUBLE OUTER OPENING DOOR</p>
 <p>ÇİFT EKSEN AÇILIM KANAT DOUBLE TILT-TURN OPENING SASH</p>	 <p>KATLANIR KAPI FOLDING DOOR</p>
 <p>VASİSTAS AÇILIR KANAT VENT OPENING SASH</p>	 <p>PARALEL SÜRME KAPI PARALLEL SLIDING OPENING DOOR</p>



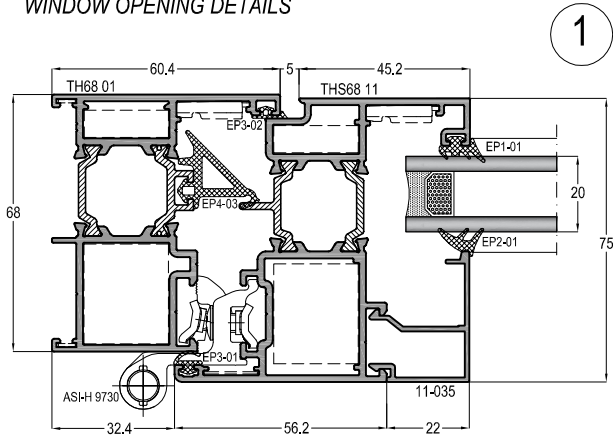
**TH68 - 1,8mm**

YALITIMLI KAPI-PENCERE SİSTEMİ  
THERMAL WINDOW&DOOR SYSTEM

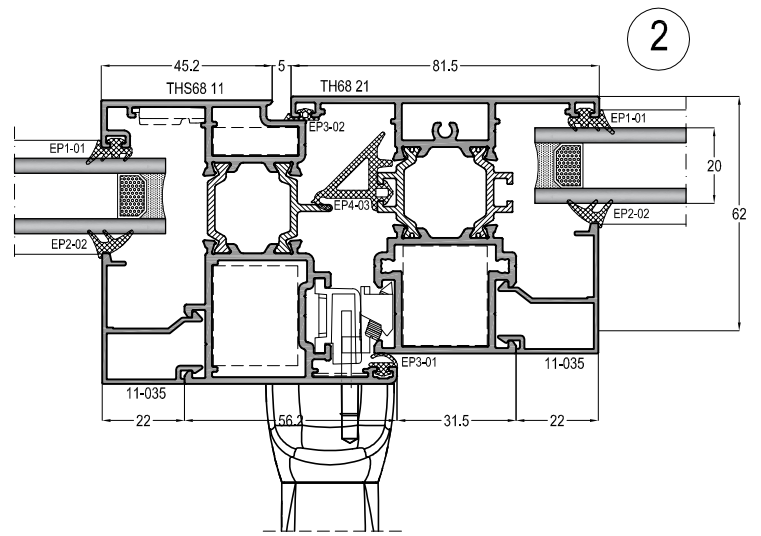
**ASISTAL**

**THS SİSTEM DETAYLARI**  
*THS SYSTEM DETAILS*

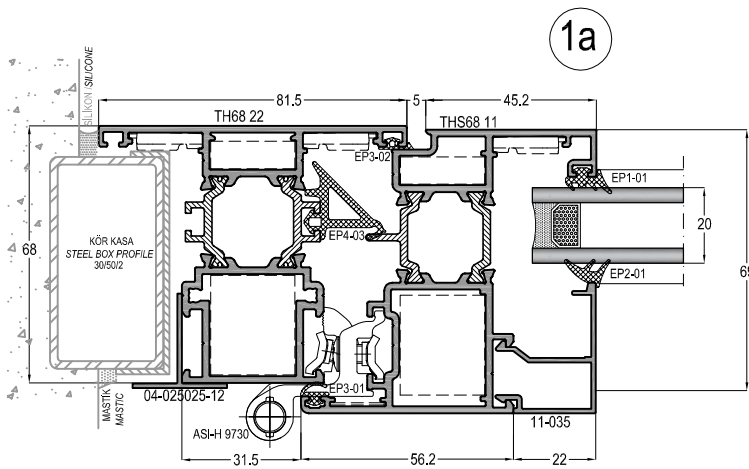
PENCERE AÇILIM DETAYLARI  
WINDOW OPENING DETAILS



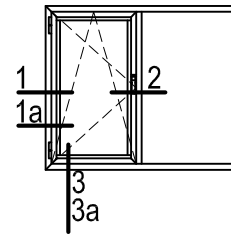
1



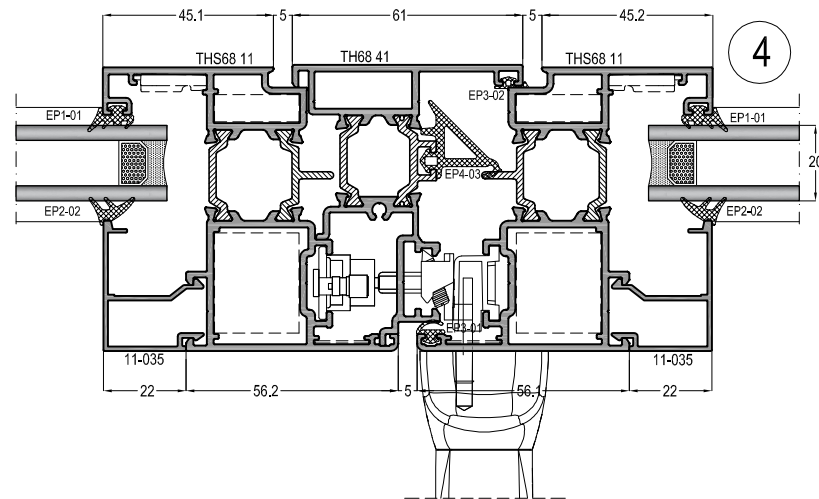
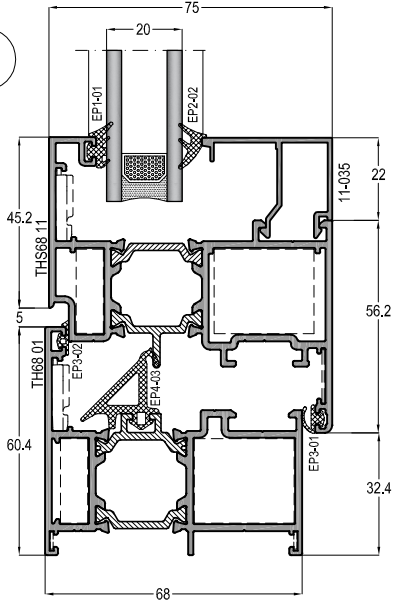
2



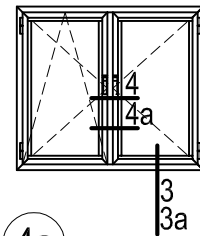
1a



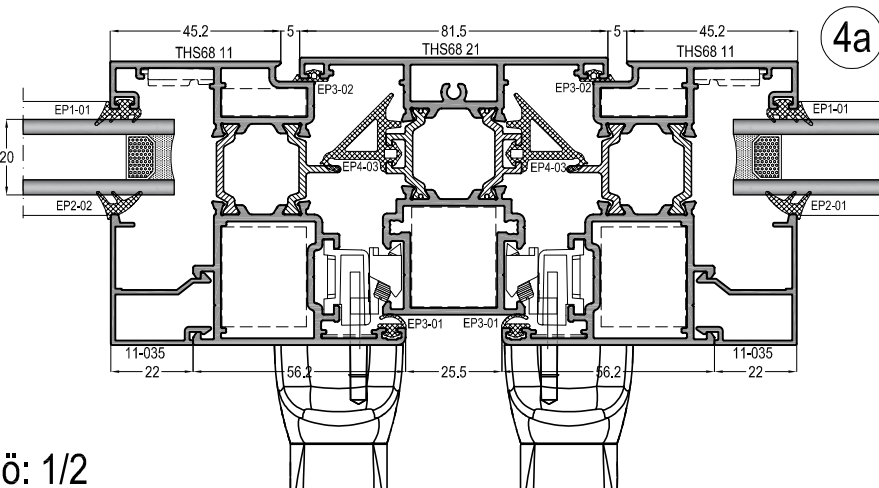
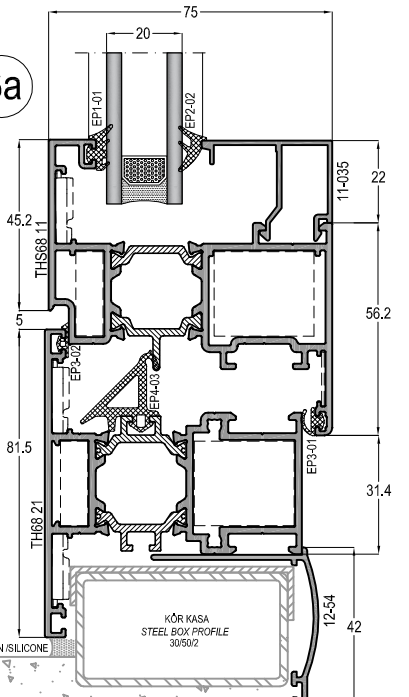
3



4

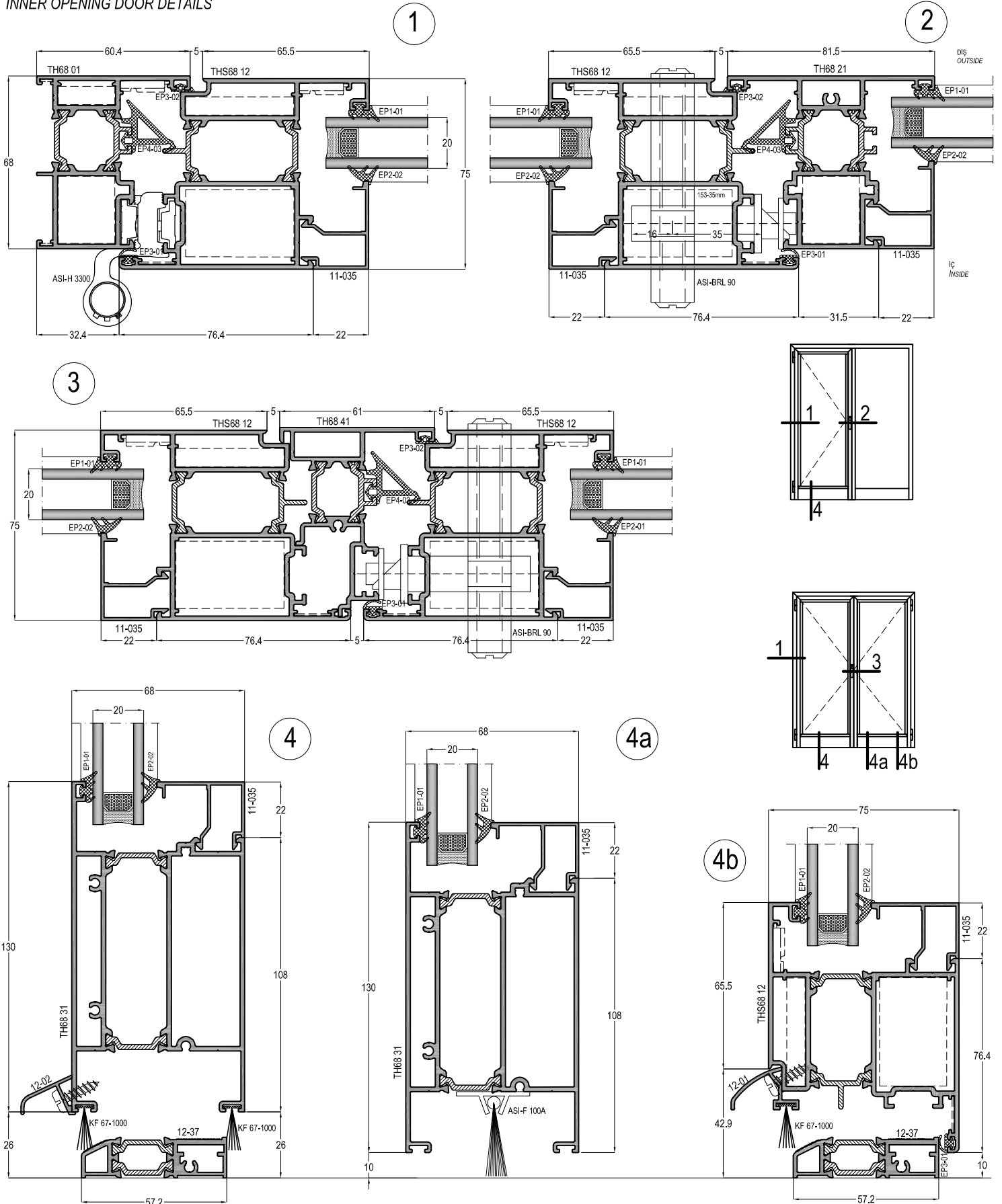


3a

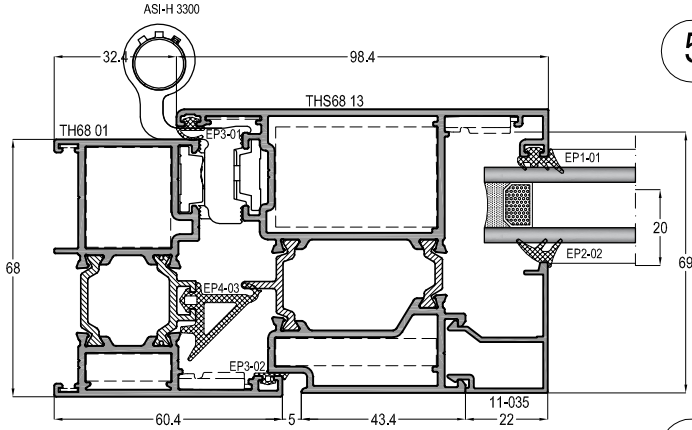


4a

### İÇE AÇILIR KAPI DETAYLARI INNER OPENING DOOR DETAILS

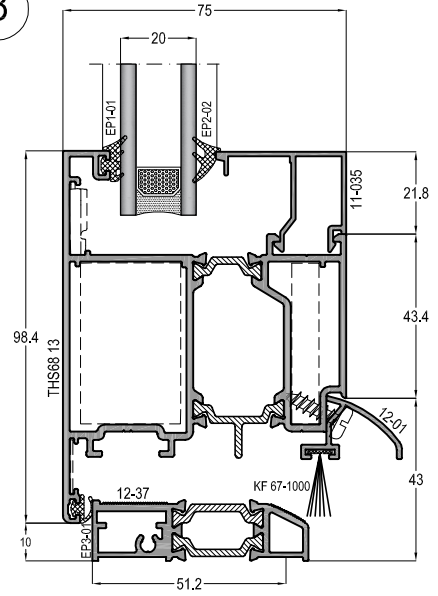


DIŞA AÇILIR KAPI DETAYLARI  
OUTER OPENING DOOR DETAILS

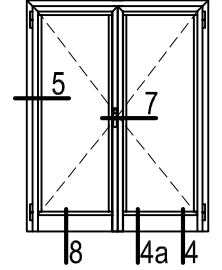
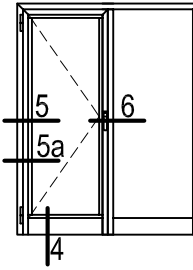
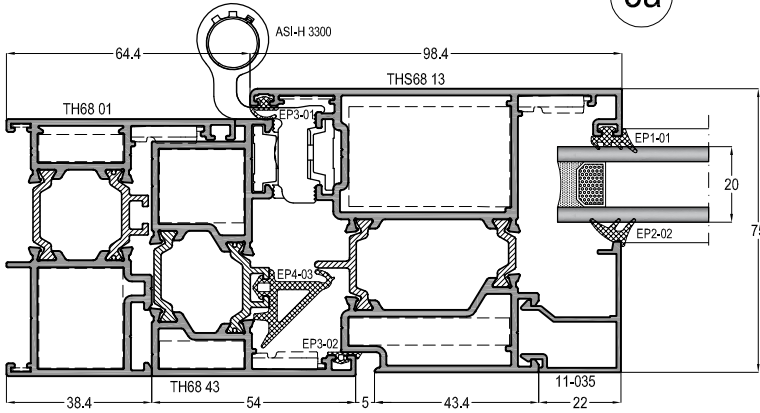


5

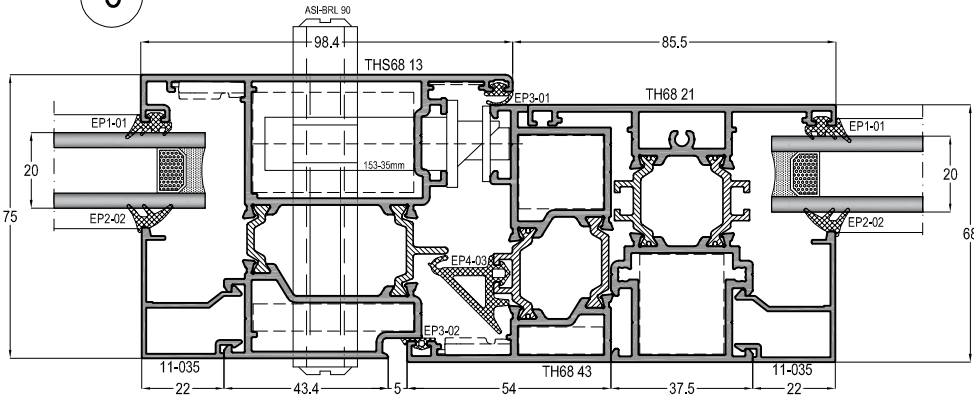
8



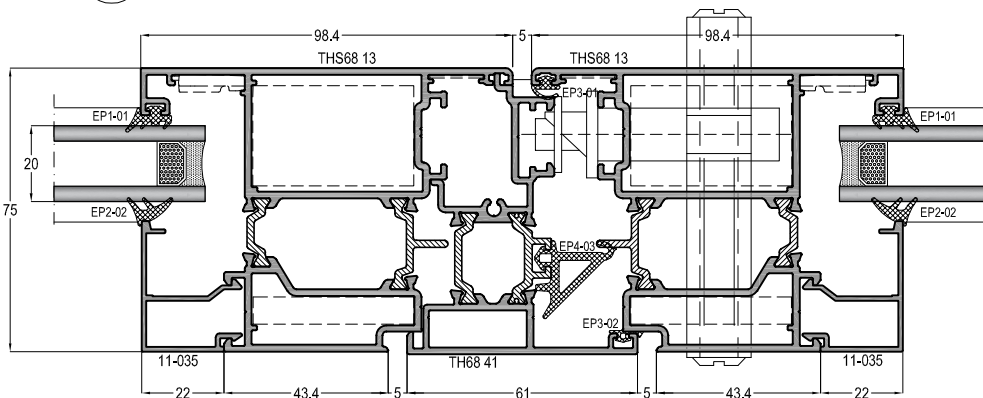
5a



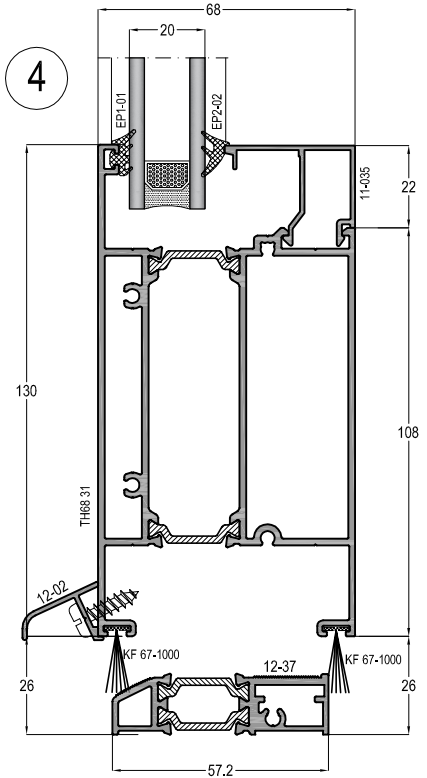
6



7



4



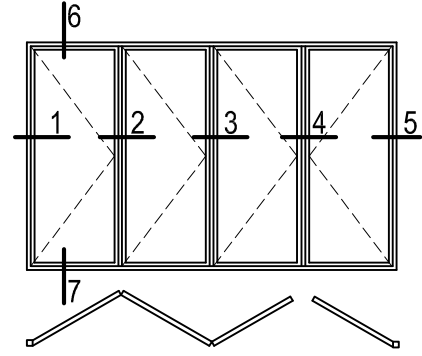
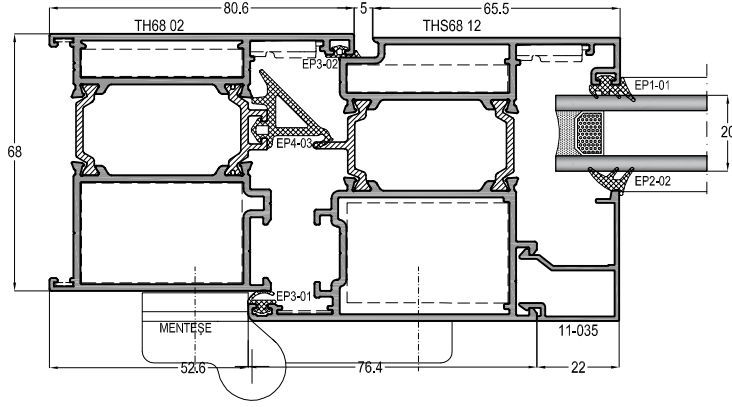
# TH68 - 1,8mm

YALITIMLI KAPI-PENCERE SİSTEMİ  
THERMAL WINDOW&DOOR SYSTEM

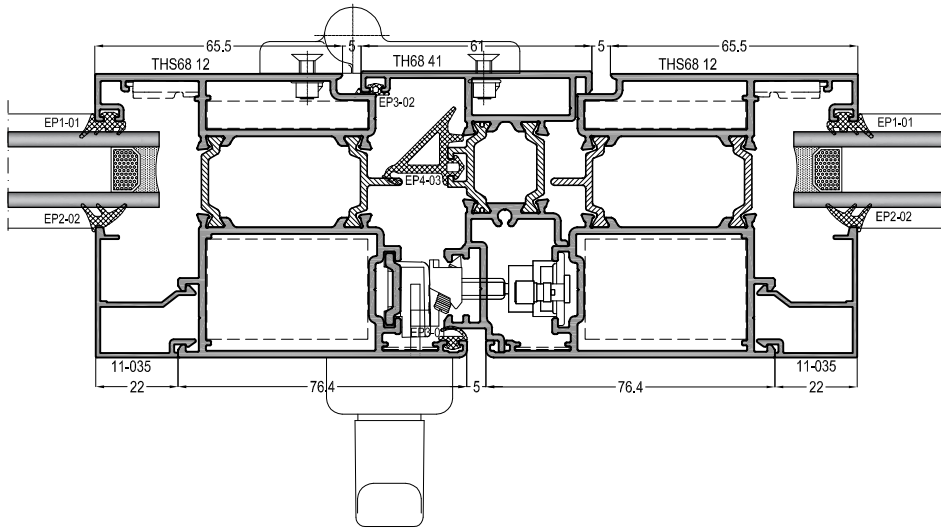


## KATLANIR KAPI DETAYLARI FOLDING DOOR DETAILS

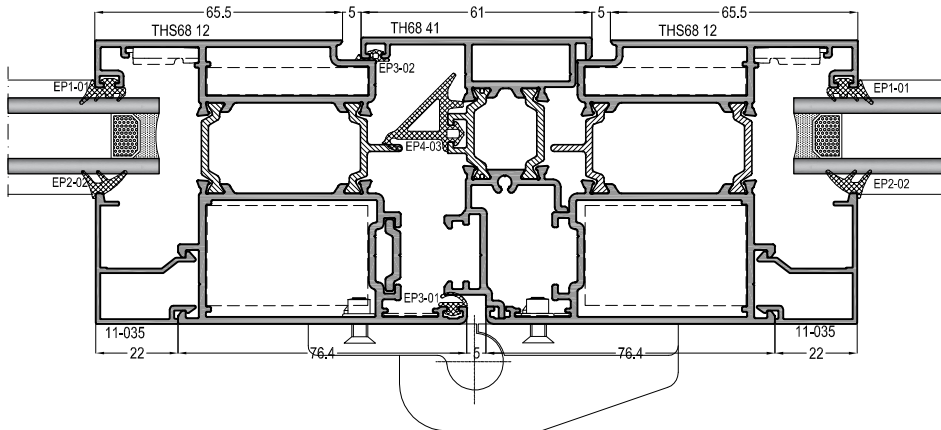
1



2

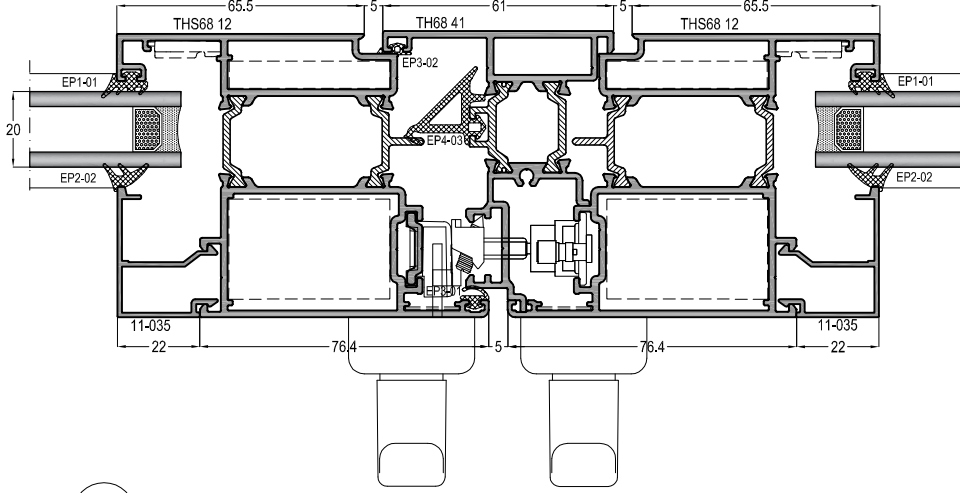


3

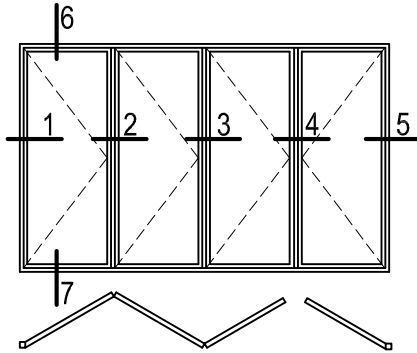
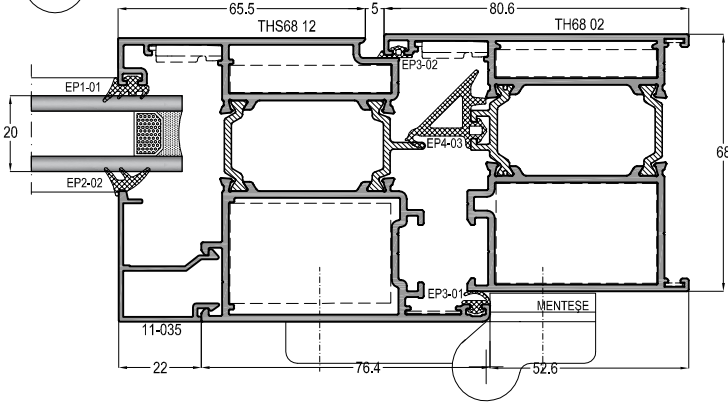


### KATLANIR KAPI DETAYLARI FOLDING DOOR DETAILS

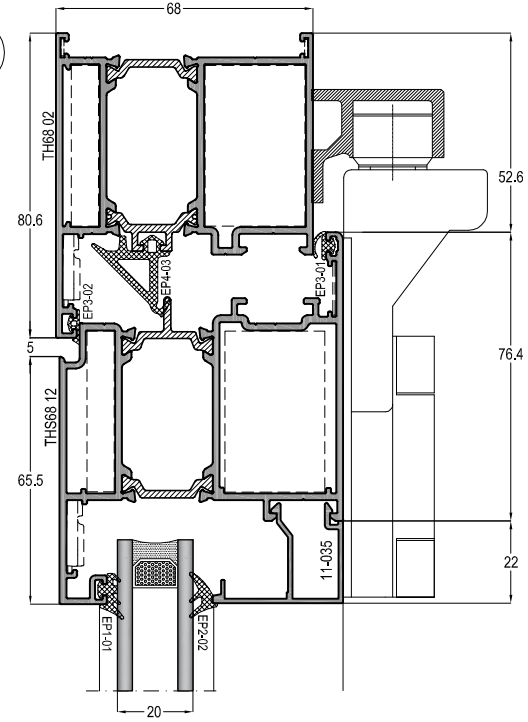
4



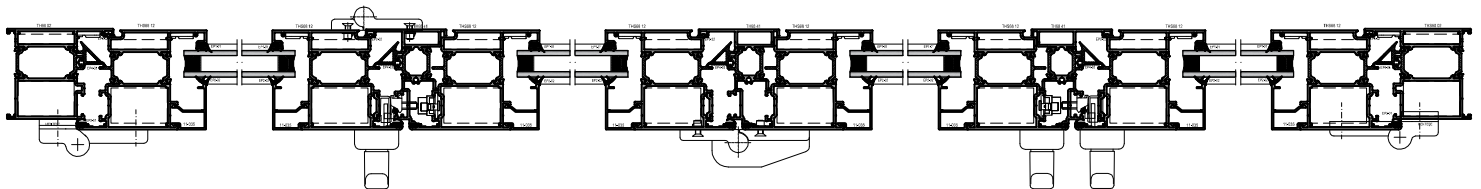
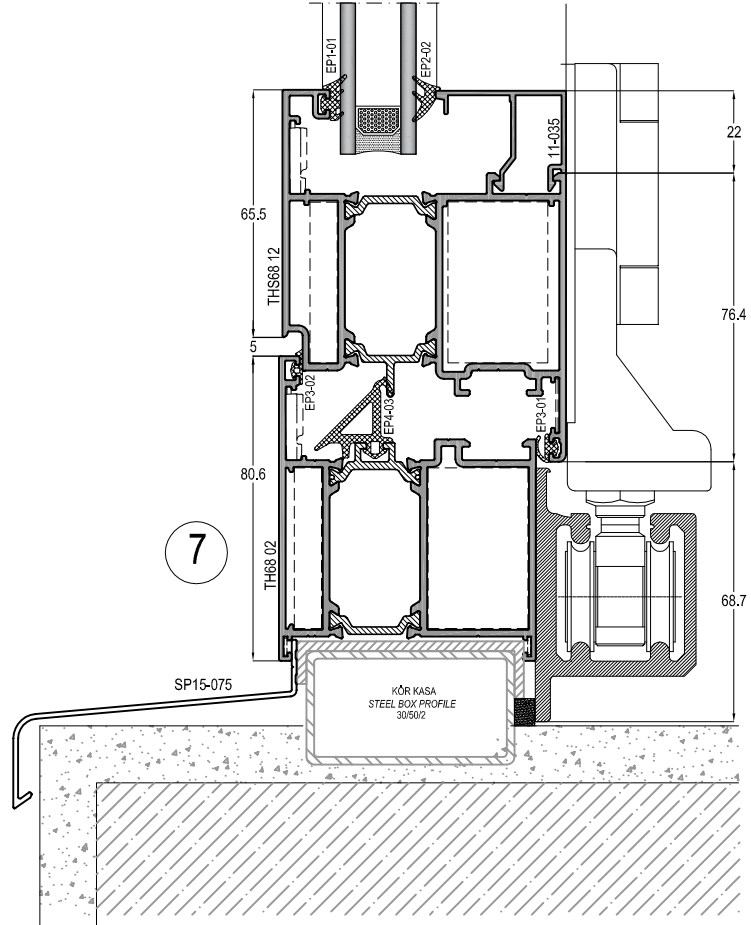
5



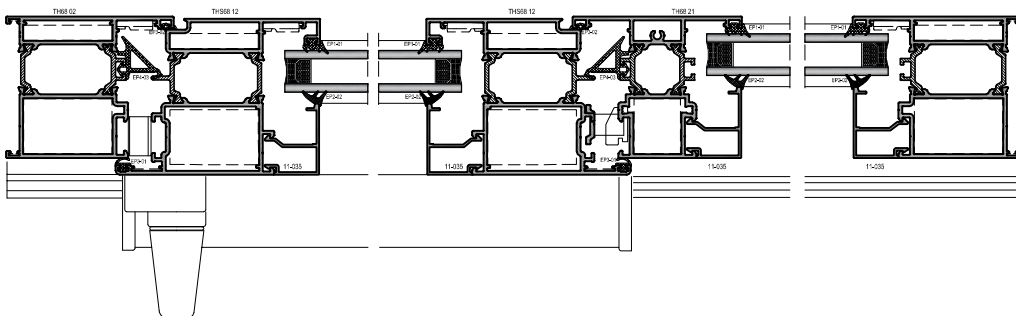
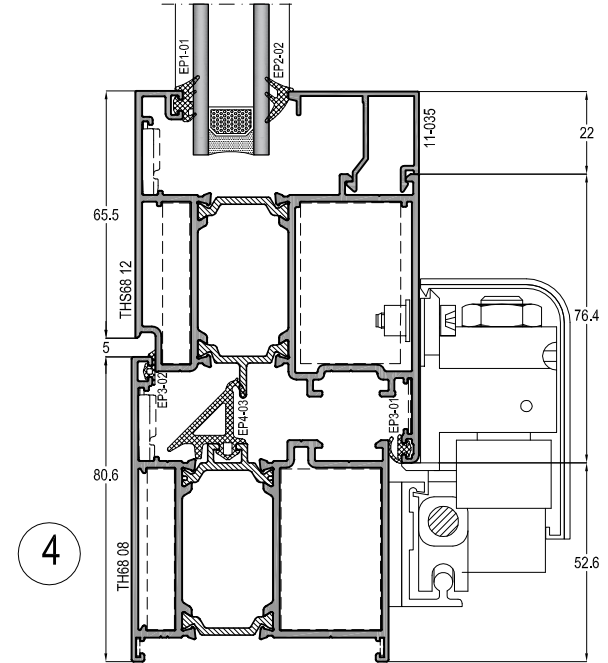
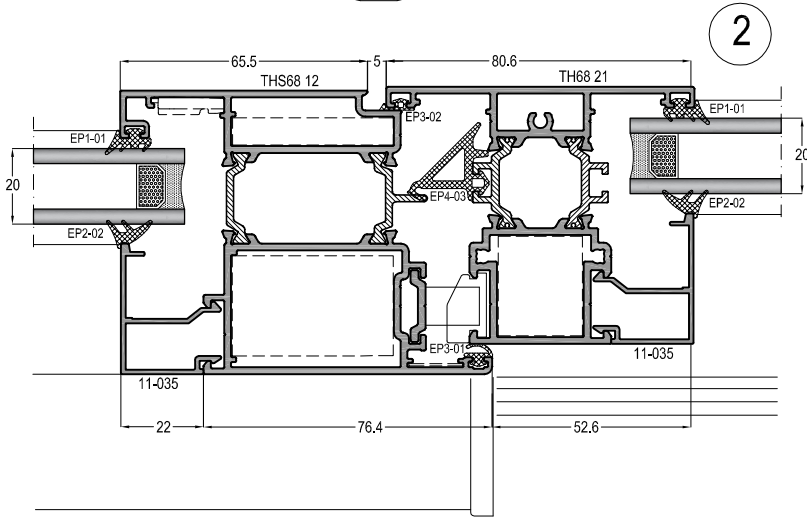
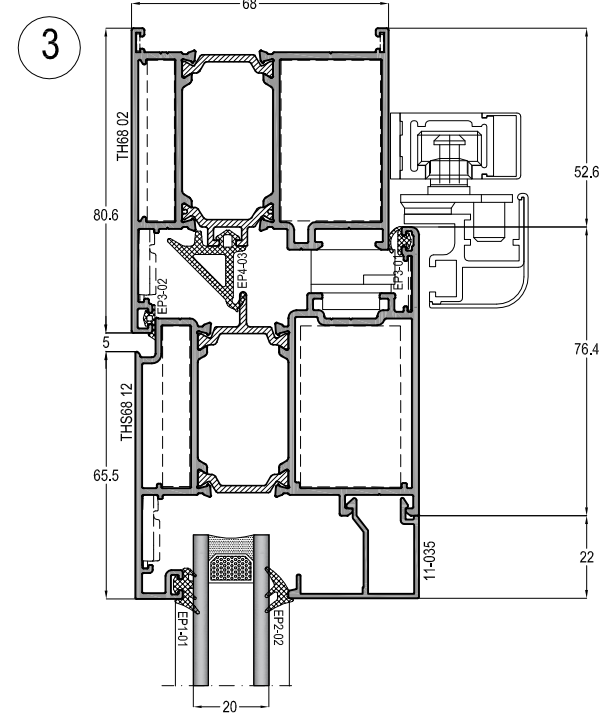
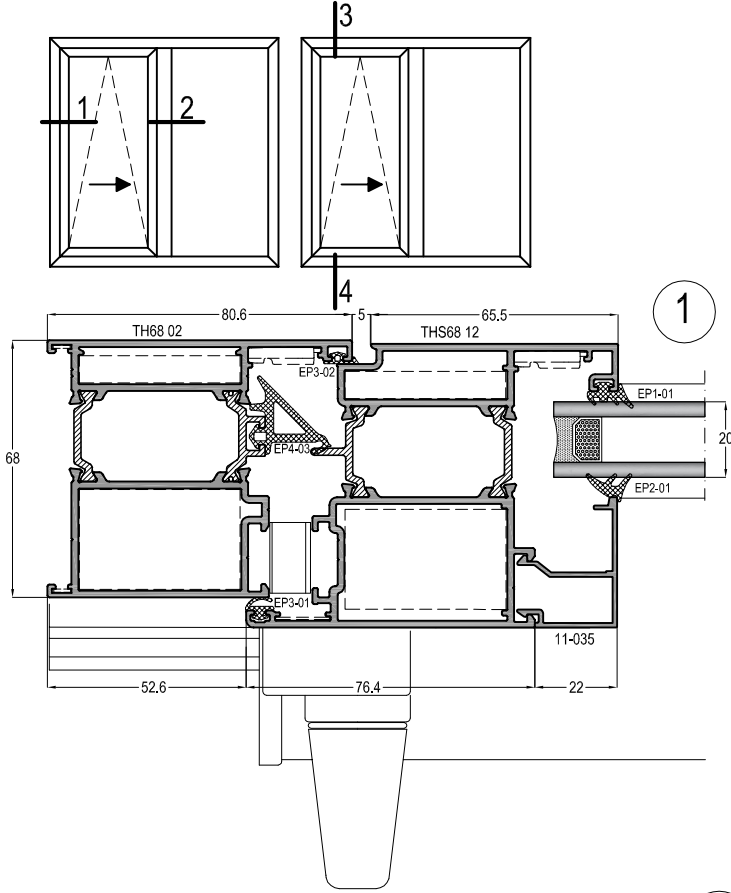
6



7



### PARALEL SÜRME DETAYLARI PARALLE SLIDING DETAILS



**TH68 - 1,8mm**

YALITIMLI KAPI-PENCERE SİSTEMİ  
THERMAL WINDOW&DOOR SYSTEM

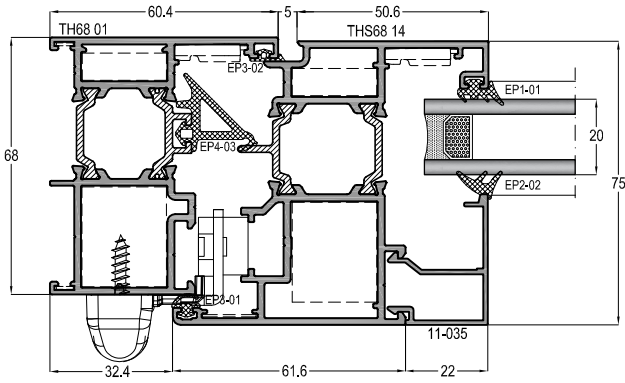
**ASISTAL**

**ÇOK NOKTADAN KİLİTLEME THS SİSTEM DETAYLARI**  
***MULTI POINT LOCKING THS SYSTEM DETAILS***

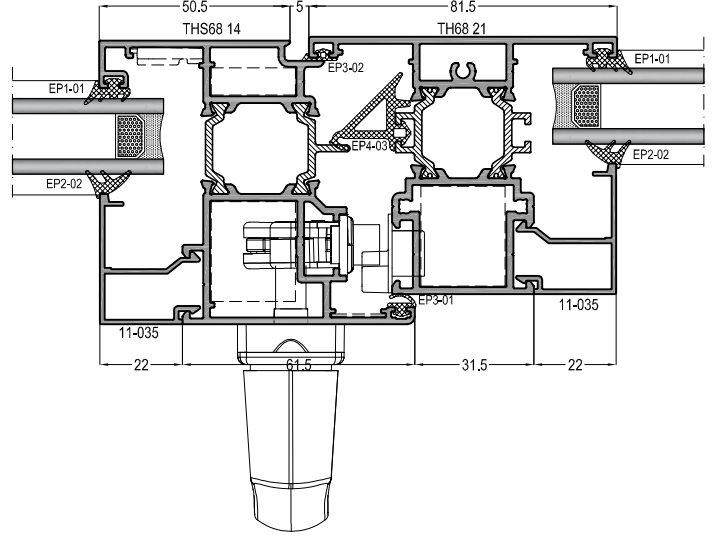


PENCERE AÇILIM DETAYLARI  
WINDOW OPENING DETAILS

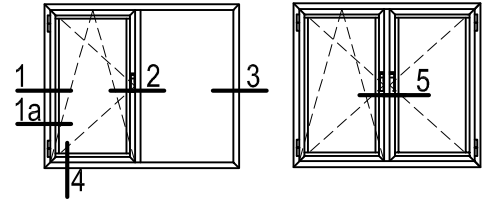
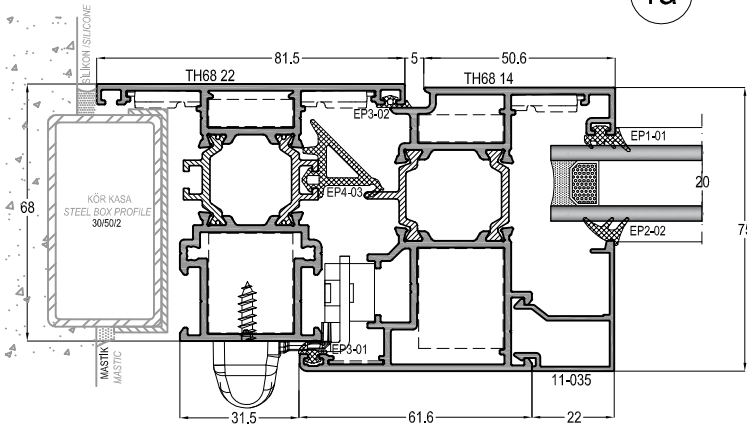
1



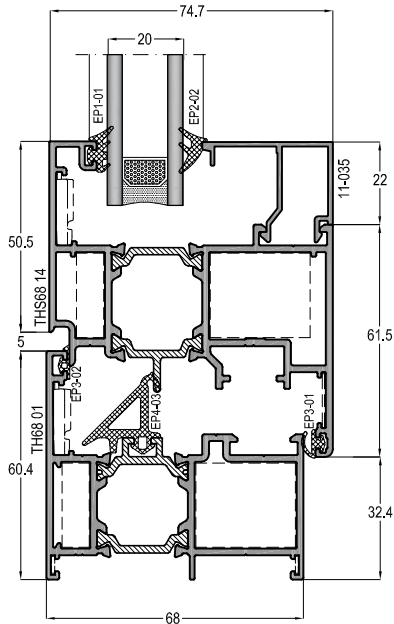
2



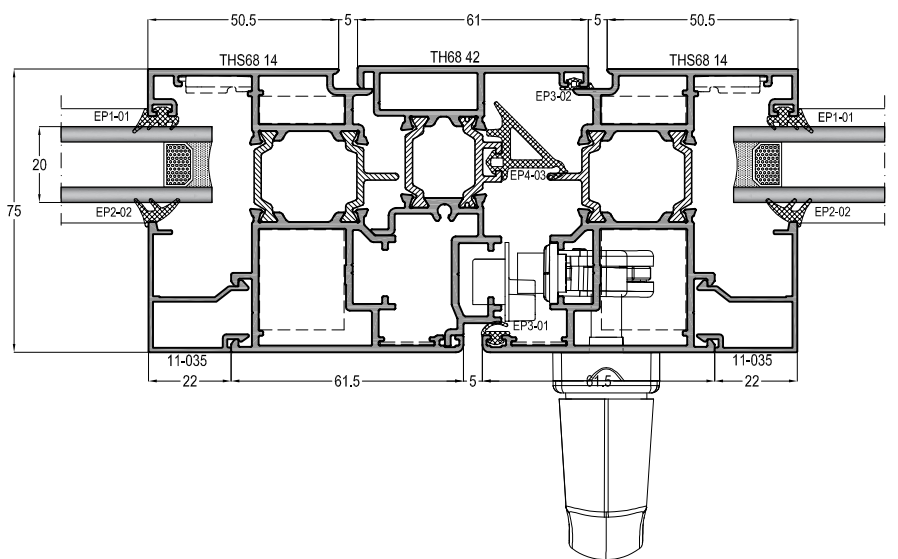
1a



4



5



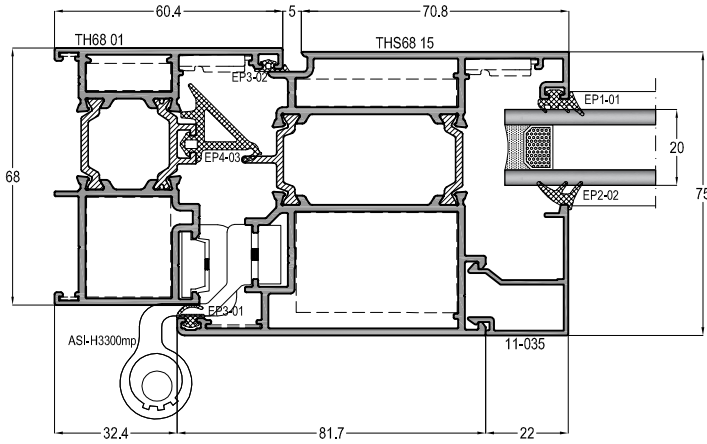
# TH68 - 1,8mm

YALITIMLI KAPI-PENCERE SİSTEMİ  
THERMAL WINDOW&DOOR SYSTEM

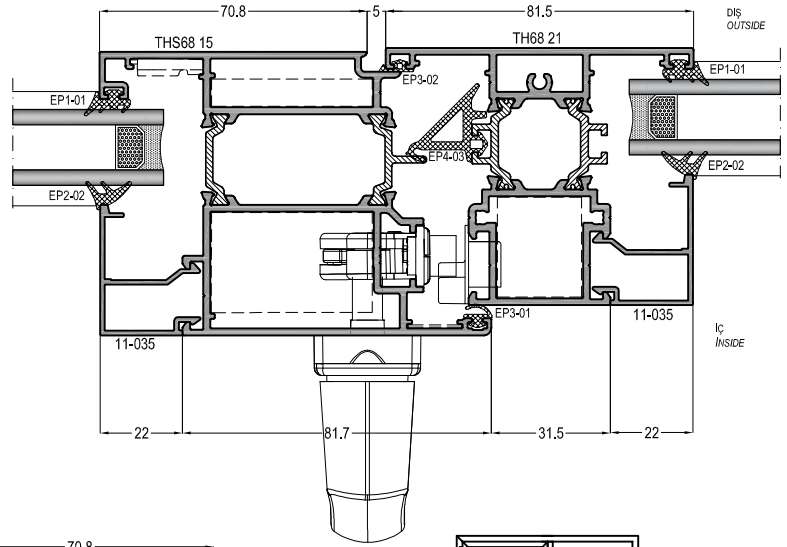
## ASISTAL

### İÇE AÇILIR KAPI DETAYLARI INNER OPENING DOOR DETAILS

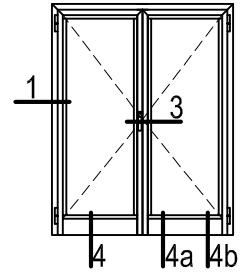
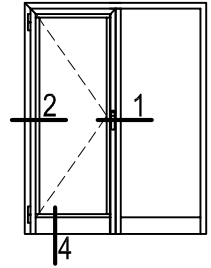
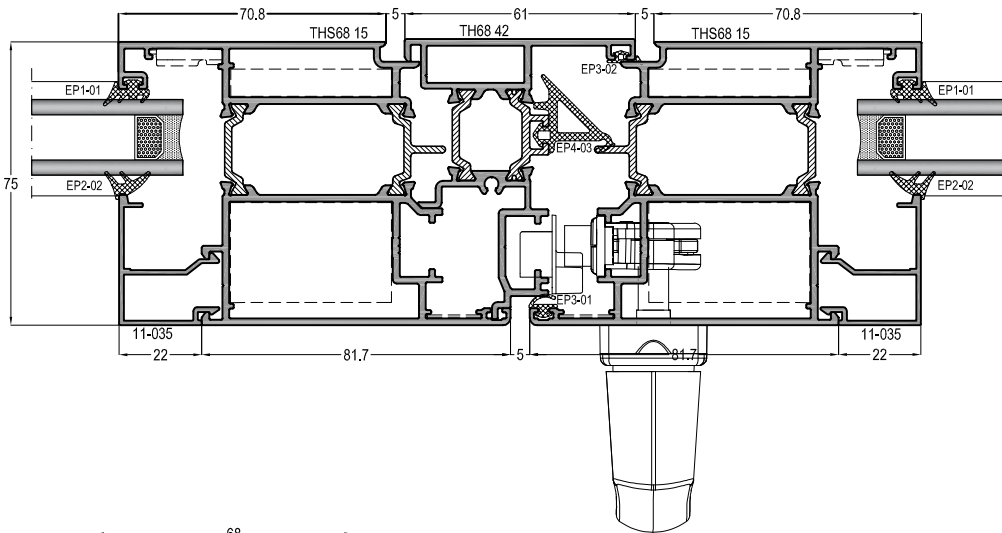
1



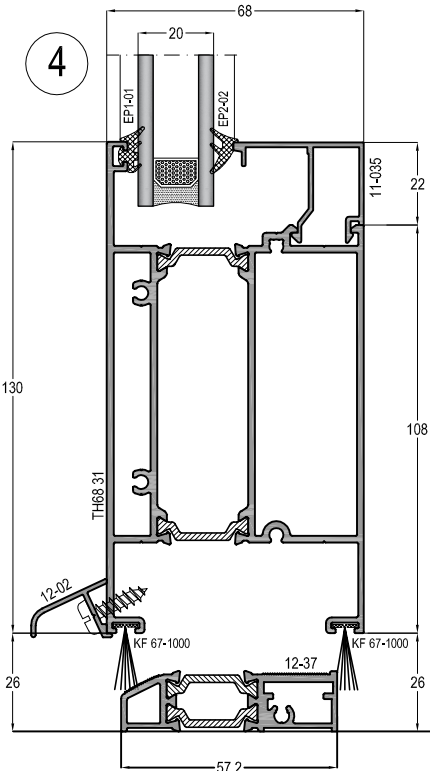
2



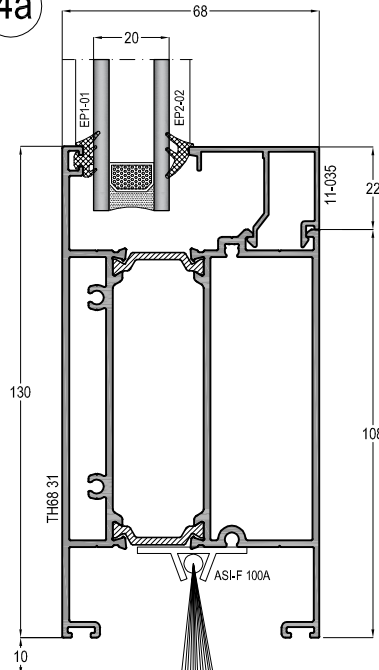
3



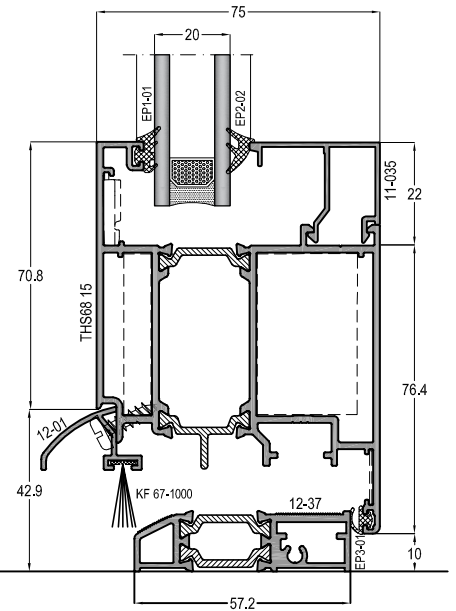
4



4a



4b

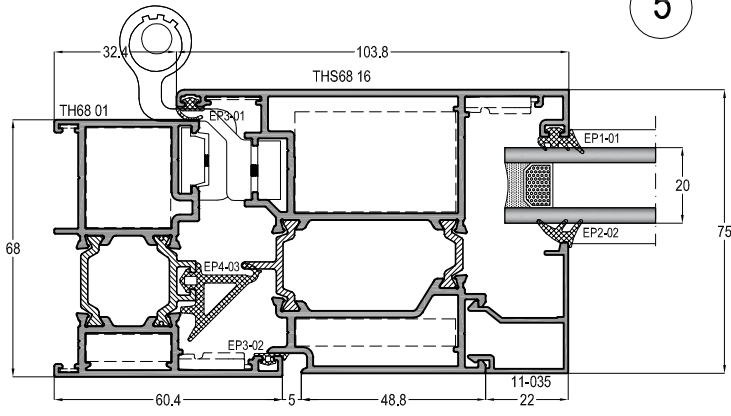


ö: 1/2

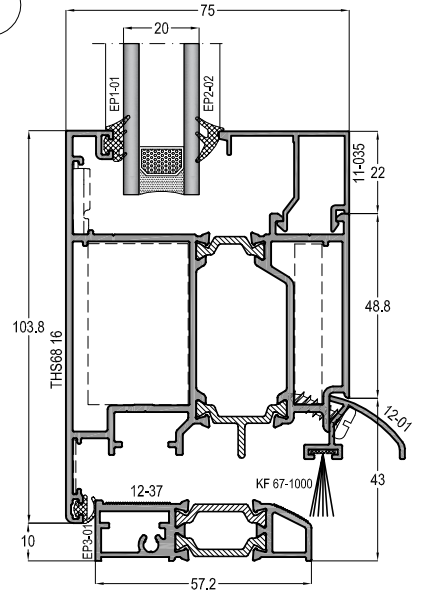
Profil ağırlıklarımız teorik olup; teslim anındaki tartımız geçerlidir.

DIŞA AÇILIR KAPI DETAYLARI  
OUTER OPENING DOOR DETAILS

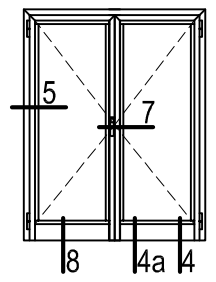
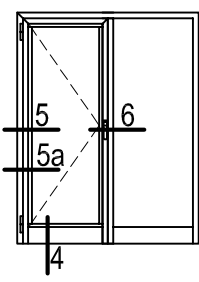
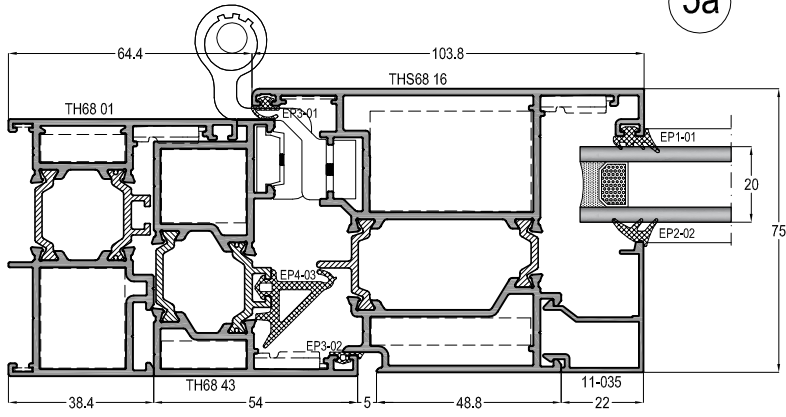
5



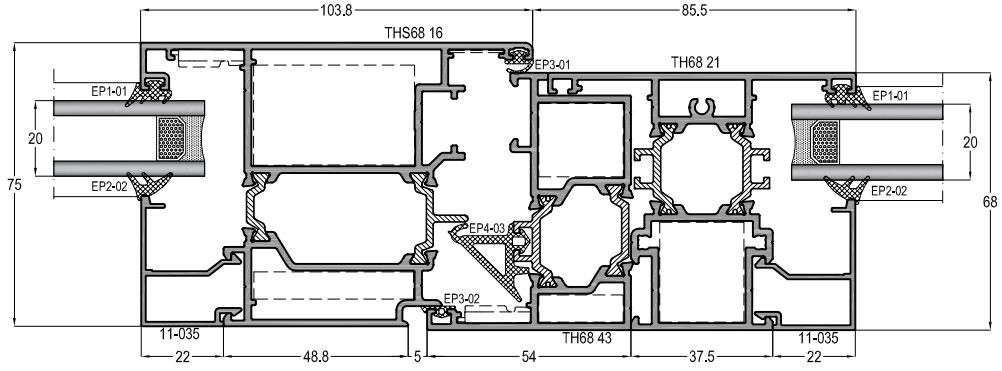
8



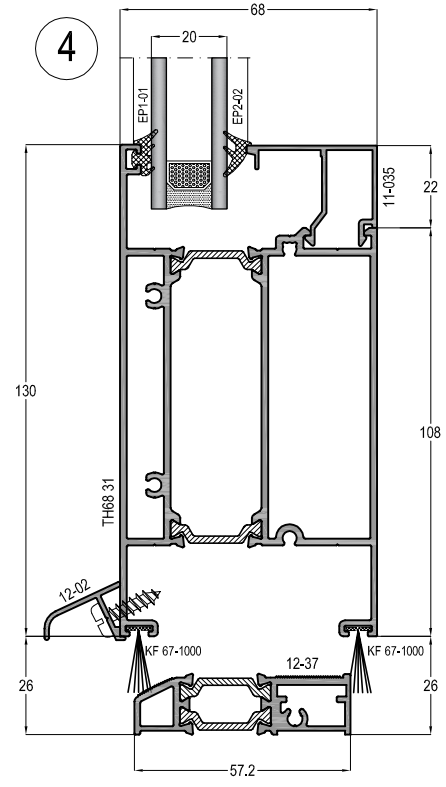
5a



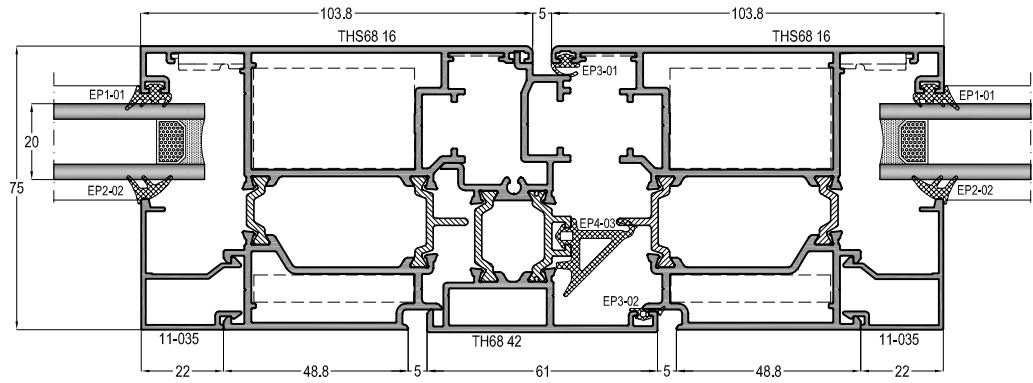
6



4



7



**TH68 - 1,8mm**

YALITIMLI KAPI-PENCERE SİSTEMİ  
THERMAL WINDOW&DOOR SYSTEM

**ASISTAL**

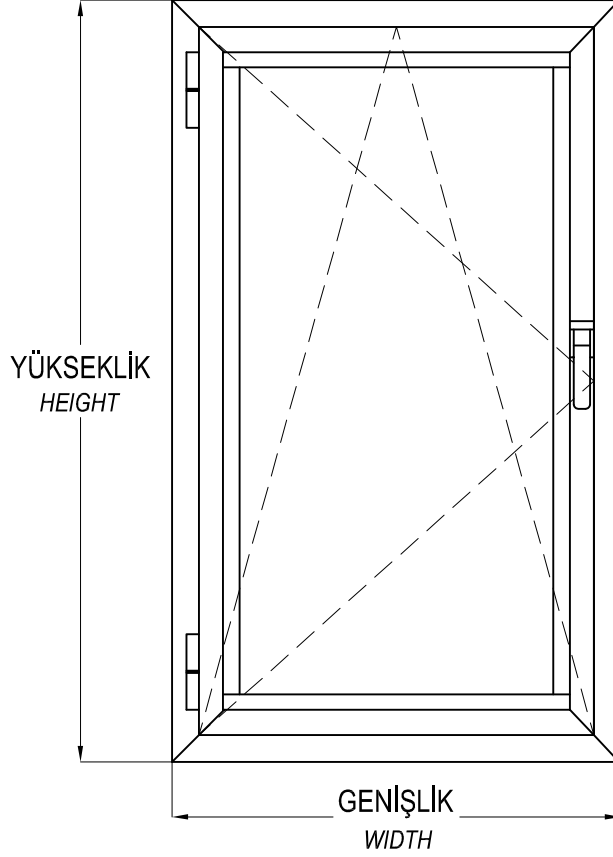
**KESİM ve MONTAJ**  
**CUTTING & ASSEMBLY**

**TH68 - 1,8mm**

YALITIMLI KAPI-PENCERE SİSTEMİ  
THERMAL WINDOW&DOOR SYSTEM

**ASISTAL**

**MULTI POINT SİSTEM (PVC KANALLI) ÇİFT EKSEN AÇILIM AKSESUAR TABLOSU**  
MULTI POINT SYSTEM TILT&TURN OPENING ACCESSORIES TABLE



**MULTI POINT (PVC KANALLI) KİLİTLEME AKSESUAR SEÇİM TABLOSU**  
MULTI POINT SYSTEM ACCESSORIES TABLE

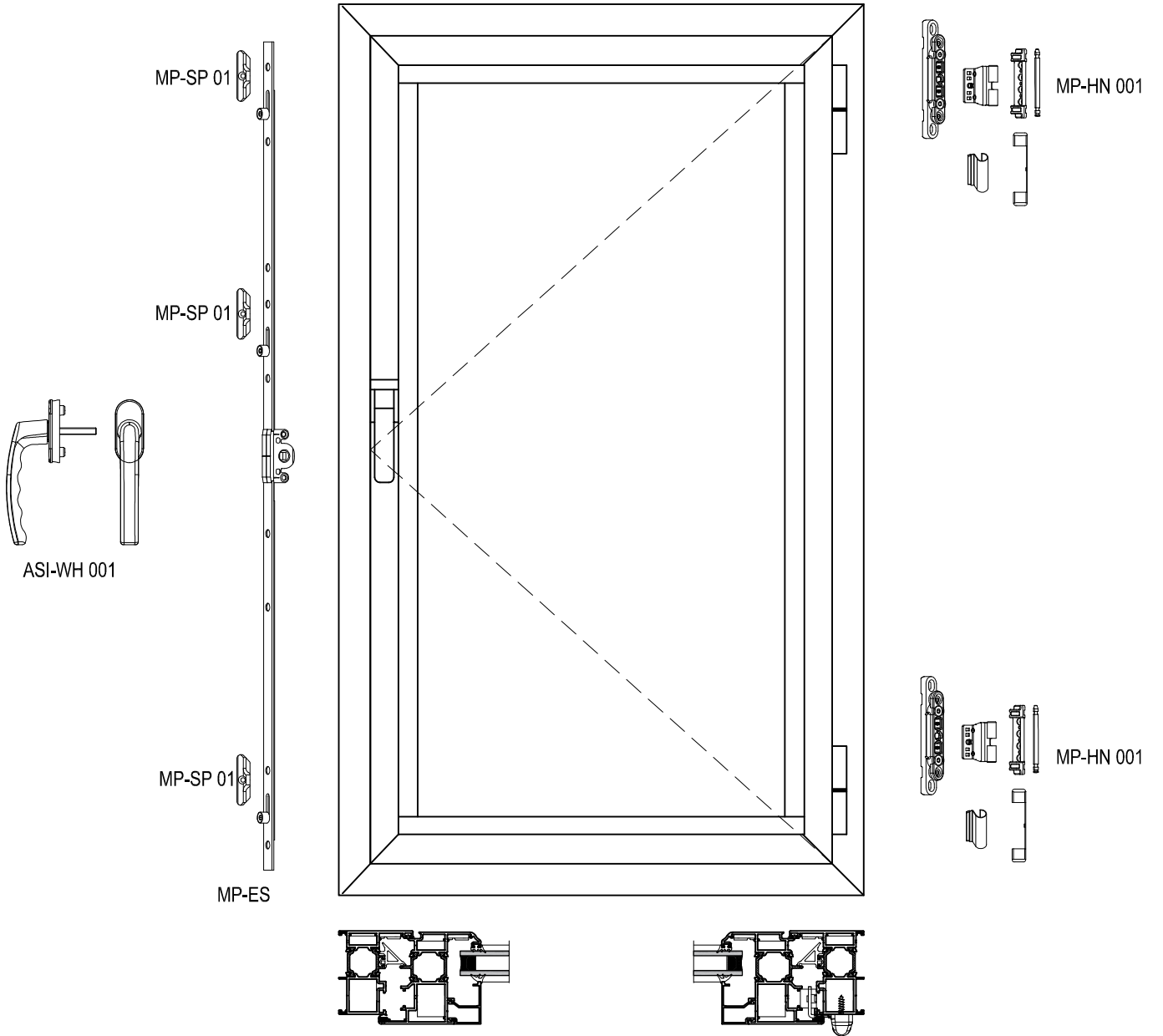
YÜKSEKLİK- HEIGHT	GENİŞLİK - WIDTH			
	400-600mm	600-850mm	850-1100mm	1100-1350mm
450-700 mm	ASI-PVC TT 01	ASI-PVC TT 02	ASI-PVC TT 03	ASI-PVC TT 04
700-1200 mm	ASI-PVC TT 05	ASI-PVC TT 06	ASI-PVC TT 07	ASI-PVC TT 08
1200-1400 mm	ASI-PVC TT 09	ASI-PVC TT 10	ASI-PVC TT 11	ASI-PVC TT 12
1400-1700 mm	ASI-PVC TT 013	ASI-PVC TT 14	ASI-PVC TT 15	ASI-PVC TT 16
1700-2400 mm	ASI-PVC TT 017	ASI-PVC TT 18	ASI-PVC TT 19	ASI-PVC TT 20

**TH68 - 1,8mm**

YALITIMLI KAPI-PENCERE SİSTEMİ  
THERMAL WINDOW&DOOR SYSTEM



**MULTI POINT SİSTEM (PVC KANALLI) TEK EKSEN AÇILIM AKSESUARLARI**  
MULTI POINT SYSTEM SINGLE OPENING WINDOW ACCESSORIES



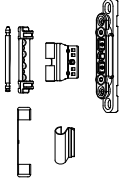
**TH68 - 1,8mm**

YALITIMLI KAPI-PENCERE SİSTEMİ  
THERMAL WINDOW&DOOR SYSTEM

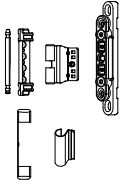


**MULTI POINT SİSTEM (PVC KANALLI) TEK KANAT AÇILIM KAPI AKSESUARLARI**  
MULTI POINT SYSTEM INNER / OUTER OPENING DOOR ACCESSORIES

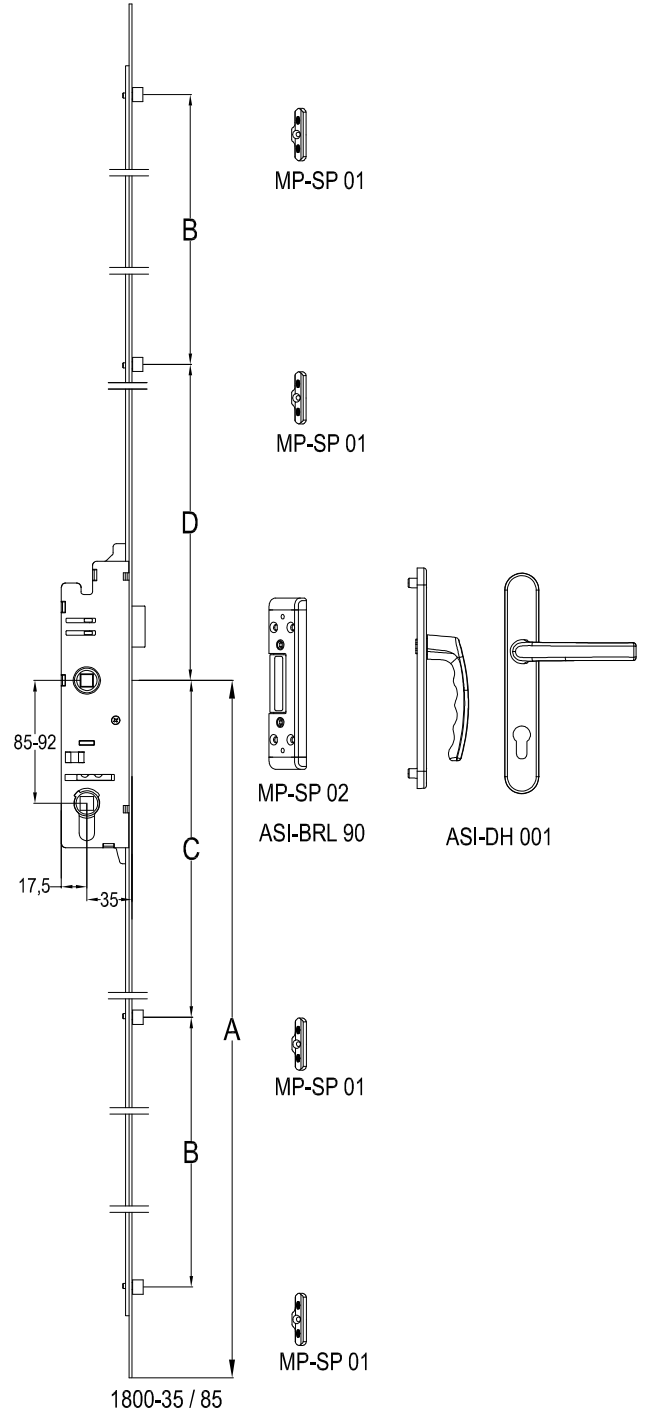
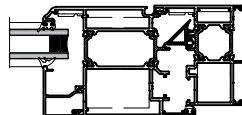
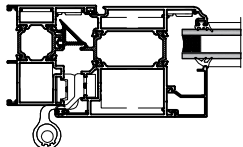
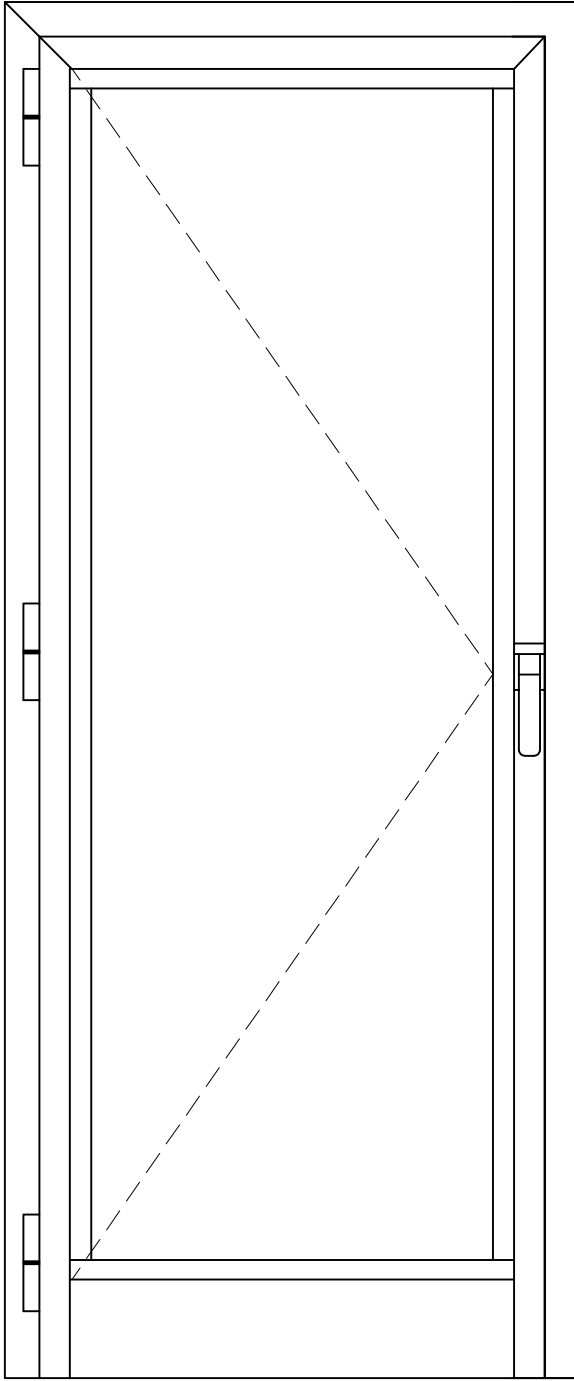
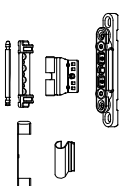
MP-HN 002



MP-HN 002



MP-HN 002



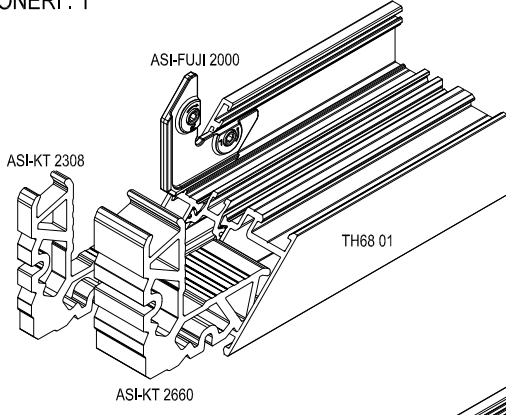
# TH68 - 1,8mm

YALITIMLI KAPI-PENCERE SİSTEMİ  
THERMAL WINDOW&DOOR SYSTEM

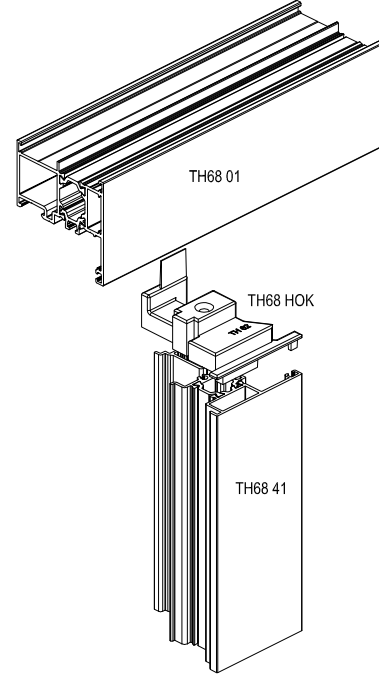
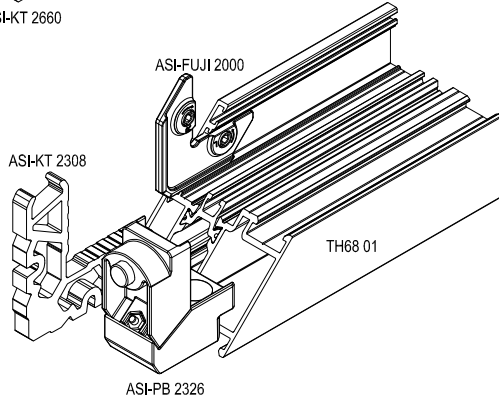
## ASISTAL

### KÖŞE BAĞLANTI DETAYLARI CORNER JOINT DETAILS

#### ÖNERİ : 1

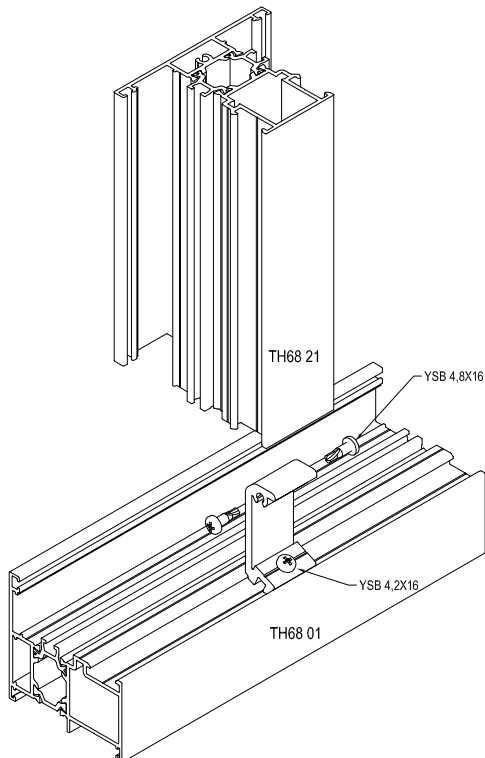


#### ÖNERİ : 2

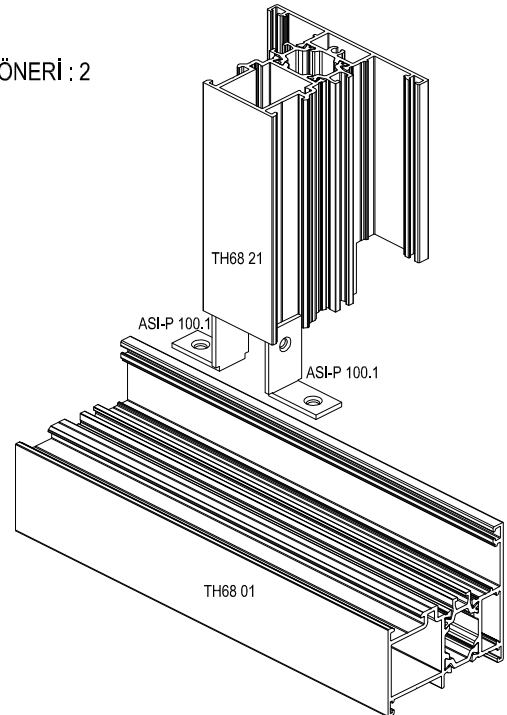


### DİK (ORTA KAYIT) BAĞLANTI DETAYLARI T JOINT DETAILS

#### ÖNERİ : 1



#### ÖNERİ : 2



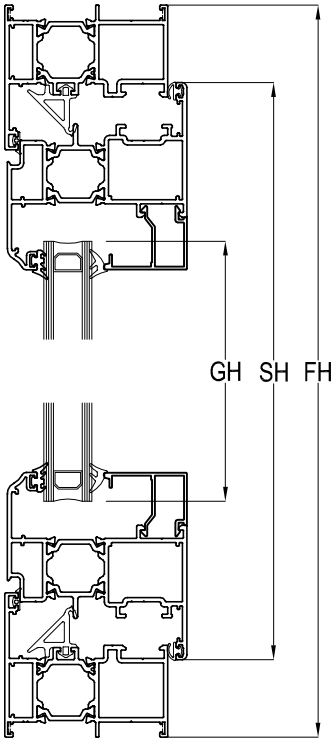
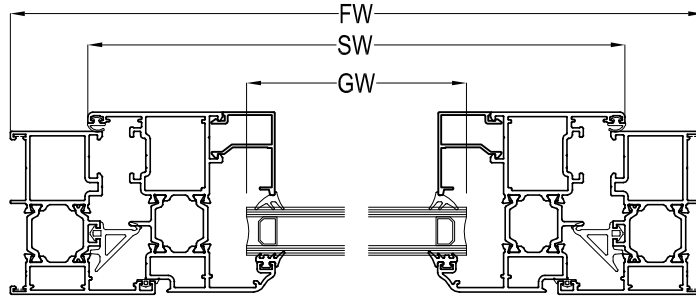
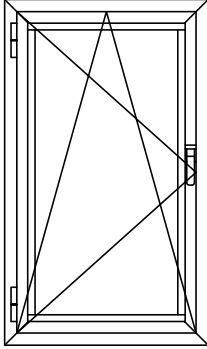


# TH68 - 1,8mm

YALITIMLI KAPI-PENCERE SİSTEMİ  
THERMAL WINDOW&DOOR SYSTEM

## ASISTAL

### TEK KANAT AÇILIM KESİM ÖLÇÜLERİ SINGLE SASH CUTTING SIZES



KASA PROFİLİ FRAME PROFILE	KANAT PROFİLİ SASH PROFILE	KESİM ÖLÇÜLERİ CUTTING SIZES
TH68 01 TH68 01 TH68 01	TH68 11 THS68 11 TH68 18	SW = FW - 64,8mm GW = SW - 122,4mm SH = FH - 64,8mm GH = SH - 122,4mm
TH68 01 TH68 01	TH68 12 THS68 12	SW = FW - 64,8mm GW = SW - 162,8mm SH = FH - 64,8mm GH = SH - 162,8mm
TH68 02 TH68 02 TH68 02	TH68 11 THS68 11 TH68 18	SW = FW - 105,2mm GW = SW - 122,4mm SH = FH - 105,2mm GH = SH - 122,4mm
TH68 02 TH68 02	TH68 12 THS68 12	SW = FW - 105,2mm GW = SW - 162,8mm SH = FH - 105,2mm GH = SH - 162,8mm

FW= KASA GENİŞLİĞİ / FRAME WIDTH  
SW= KANAT GENİŞLİĞİ / SASH WIDTH  
GW= CAM GENİŞLİĞİ / GLASS WIDTH

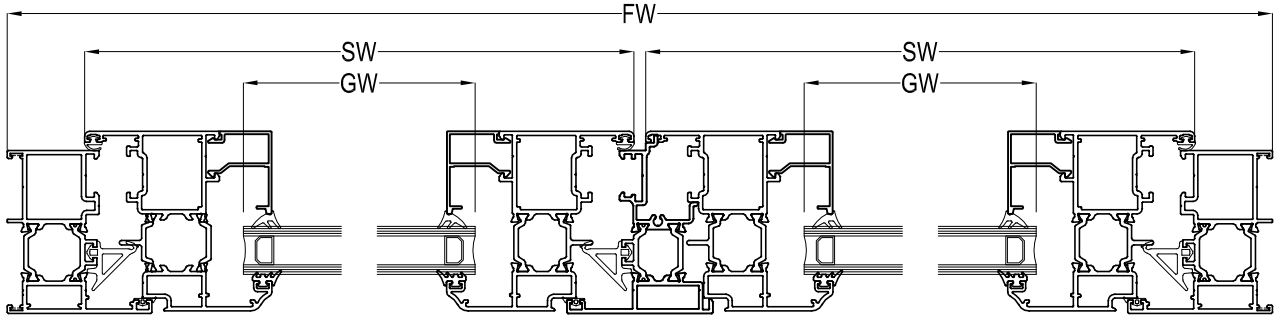
FH= KASA YÜKSEKLİĞİ / FRAME HEIGHT  
SH= KANAT YÜKSEKLİĞİ / SASH HEIGHT  
GH= CAM YÜKSEKLİĞİ / GLASS HEIGHT

# TH68 - 1,8mm

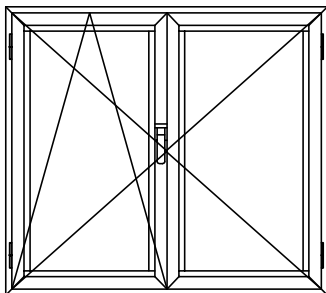
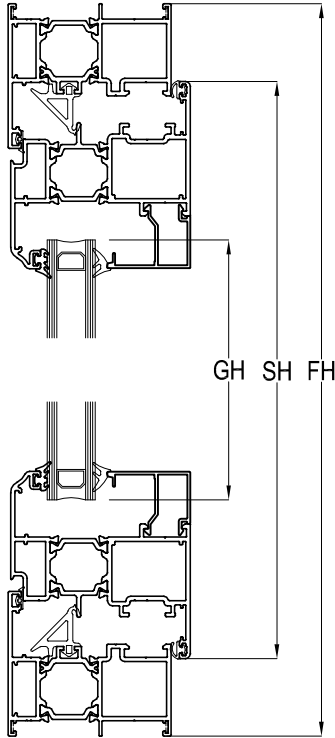
YALITIMLI KAPI-PENCERE SİSTEMİ  
THERMAL WINDOW&DOOR SYSTEM

## ASISTAL

### ÇİFT KANAT AÇILIM KESİM ÖLÇÜLERİ DOUBLE SASH CUTTING SIZES



#### ADAPTÖR PROFİLİ TH68 41 = SH - 69mm



KASA PROFİLİ FRAME PROFILE	KANAT PROFİLİ SASH PROFILE	KESİM ÖLÇÜLERİ CUTTING SIZES
TH68 01 TH68 01 TH68 01	TH68 11 THS68 11 TH68 18	SW = FW / 2 - 34,9mm GW = SW - 122,4mm SH = FH - 64,8mm GH = SH - 122,4mm
TH68 01 TH68 01	TH68 12 THS68 12	SW = FW / 2 - 34,9mm GW = SW - 162,8mm SH = FH - 64,8mm GH = SH - 162,8mm
TH68 02 TH68 02 TH68 02	TH68 11 THS68 11 TH68 18	SW = FW / 2 - 55,1mm GW = SW - 122,4mm SH = FH - 105,2mm GH = SH - 122,4mm
TH68 02 TH68 02	TH68 12 THS68 12	SW = FW / 2 - 55,1mm GW = SW - 162,8mm SH = FH - 105,2mm GH = SH - 162,8mm

FW= KASA GENİŞLİĞİ / FRAME WIDTH  
SW= KANAT GENİŞLİĞİ / SASH WIDTH  
GW= CAM GENİŞLİĞİ / GLASS WIDTH

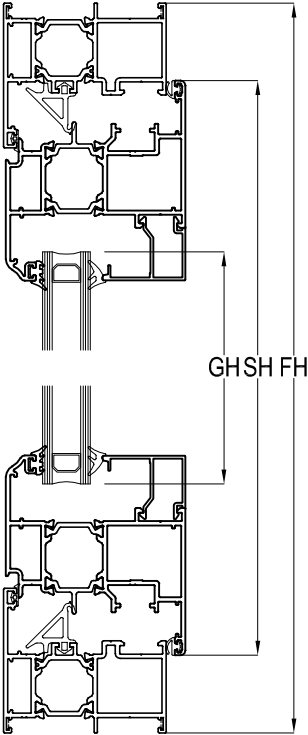
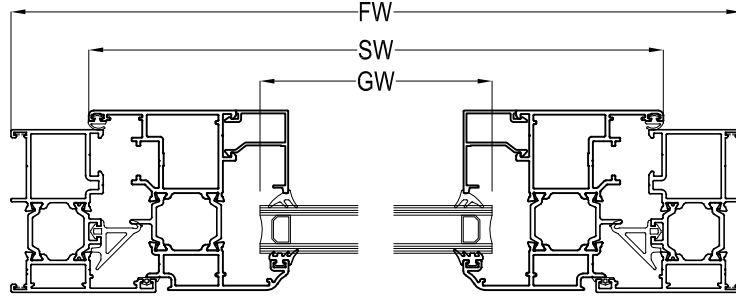
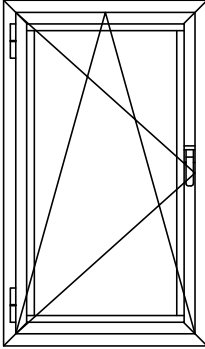
FH= KASA YÜKSEKLİĞİ / FRAME HEIGHT  
SH= KANAT YÜKSEKLİĞİ / SASH HEIGHT  
GH= CAM YÜKSEKLİĞİ / GLASS HEIGHT

# TH68 - 1,8mm

YALITIMLI KAPI-PENCERE SİSTEMİ  
THERMAL WINDOW&DOOR SYSTEM

## ASISTAL

### MULTI POINT (PVC KANALLI) TEK KANAT AÇILIM KESİM ÖLÇÜLERİ MULTI POINT SINGLE SASH CUTTING SIZES



KASA PROFİLİ FRAME PROFILE	KANAT PROFİLİ SASH PROFILE	KESİM ÖLÇÜLERİ CUTTING SIZES
TH68 01 TH68 01	TH68 14 THS68 14	SW = FW - 64,8mm GW = SW - 133mm  SH = FH - 64,8mm GH = SH - 133mm
TH68 01 TH68 01	TH68 15 THS68 15	SW = FW - 64,8mm GW = SW - 173,4mm  SH = FH - 64,8mm GH = SH - 173,4mm
TH68 02 TH68 02	TH68 14 THS68 14	SW = FW - 105,2mm GW = SW - 133mm  SH = FH - 105,2mm GH = SH - 133mm
TH68 02 TH68 02	TH68 15 THS68 15	SW = FW - 105,2mm GW = SW - 173,4mm  SH = FH - 105,2mm GH = SH - 173,4mm

FW= KASA GENİŞLİĞİ / FRAME WIDTH  
SW= KANAT GENİŞLİĞİ / SASH WIDTH  
GW= CAM GENİŞLİĞİ / GLASS WIDTH

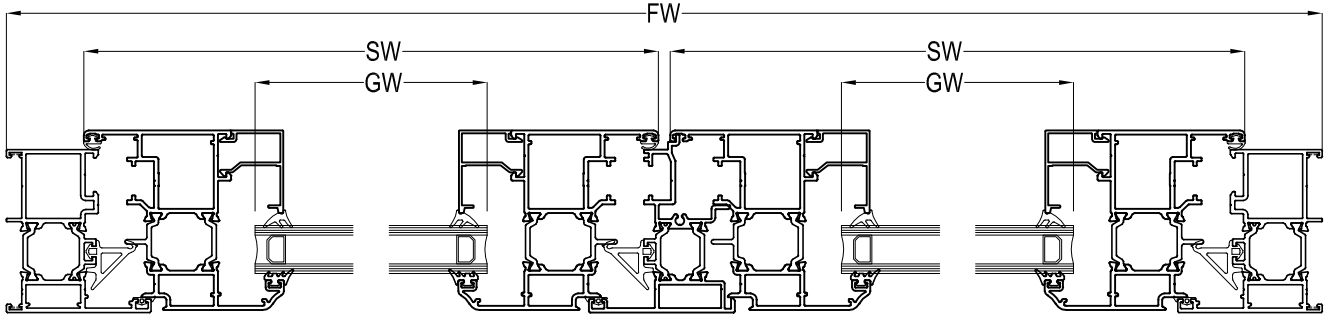
FH= KASA YÜKSEKLİĞİ / FRAME HEIGHT  
SH= KANAT YÜKSEKLİĞİ / SASH HEIGHT  
GH= CAM YÜKSEKLİĞİ / GLASS HEIGHT

# TH68 - 1,8mm

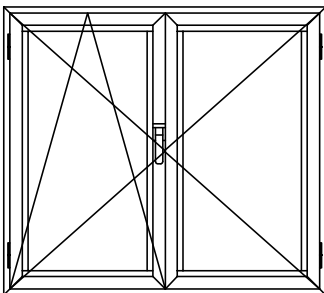
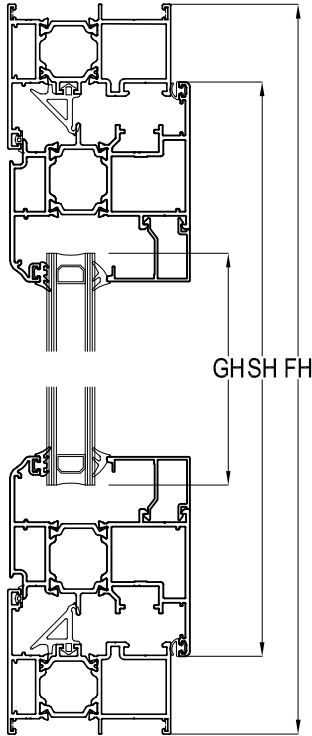
YALITIMLI KAPI-PENCERE SİSTEMİ  
THERMAL WINDOW&DOOR SYSTEM

## ASISTAL

### MULTI POINT (PVC KANALLI) ÇİFT KANAT AÇILIM KESİM ÖLÇÜLERİ MULTI POINT DOUBLE SASH CUTTING SIZES



ADAPTÖR PROFİLİ  
TH68 42 = SH - 69mm



KASA PROFİLİ FRAME PROFILE	KANAT PROFİLİ SASH PROFILE	KESİM ÖLÇÜLERİ CUTTING SIZES
TH68 01 TH68 01	TH68 14 THS68 14	SW = FW / 2 - 34,9mm GW = SW - 133mm  SH = FH - 64,8mm GH = SH - 133mm
TH68 01 TH68 01	TH68 15 THS68 15	SW = FW / 2 - 34,9mm GW = SW - 173,4mm  SH = FH - 64,8mm GH = SH - 173,4mm
TH68 02 TH68 02	TH68 14 THS68 14	SW = FW / 2 - 55,1mm GW = SW - 133mm  SH = FH - 105,2mm GH = SH - 133mm
TH68 02 TH68 02	TH68 15 THS68 15	SW = FW / 2 - 55,1mm GW = SW - 173,4mm  SH = FH - 105,2mm GH = SH - 173,4mm

FW= KASA GENİŞLİĞİ / FRAME WIDTH  
SW= KANAT GENİŞLİĞİ / SASH WIDTH  
GW= CAM GENİŞLİĞİ / GLASS WIDTH

FH= KASA YÜKSEKLİĞİ / FRAME HEIGHT  
SH= KANAT YÜKSEKLİĞİ / SASH HEIGHT  
GH= CAM YÜKSEKLİĞİ / GLASS HEIGHT