

**TH78 - 1,8mm**

YALITIMLI KAPI-PENCERE SİSTEMİ  
THERMAL WINDOW&DOOR SYSTEM

**ASISTAL**

**PROFİL VE AKSESUAR LİSTELERİ**  
*PROFILE & ACCESSORIES LISTS*

# TH78 - 1,8mm

YALITIMLI KAPI-PENCERE SİSTEMİ  
THERMAL WINDOW&DOOR SYSTEM



## PROFİL LİSTESİ - PROFILE LISTS

|   |                    |                    |  |   |                    |                    |  |
|---|--------------------|--------------------|--|---|--------------------|--------------------|--|
| TH78 01   | Jx cm <sup>4</sup> | Jy cm <sup>4</sup> |  | TH78 25   | Jx cm <sup>4</sup> | Jy cm <sup>4</sup> |  |
|   | 45,72              | 12,61              |  |   | 135,67             | 29,50              |  |
| KASA PROFİLİ-60 mm<br>FRAME PROFILE                             | AĞIRLIK / Weight   |                    |  | TAKVİYELİ ORTA KAYIT<br>PROFİLİ<br>SUPPORTED MULLION<br>PROFILE                 | AĞIRLIK / Weight   |                    |  |
|   | 1,588 kg/mt        |                    |  |   | 2,586 kg/mt        |                    |  |
| TH78 201  | Jx cm <sup>4</sup> | Jy cm <sup>4</sup> |  | TH78 11   | Jx cm <sup>4</sup> | Jy cm <sup>4</sup> |  |
|   | 50,54              | 13,58              |  |   | 63,31              | 19,21              |  |
| KASA PROFİLİ-60 mm<br>2mm<br>FRAME PROFILE                      | AĞIRLIK / Weight   |                    |  | KANAT PROFİLİ-45 mm<br>SASH PROFILE   | AĞIRLIK / Weight   |                    |  |
|   | 1,710 kg/mt        |                    |  |   | 1,845 kg/mt        |                    |  |
| TH78 02   | Jx cm <sup>4</sup> | Jy cm <sup>4</sup> |  | THS78 11  | Jx cm <sup>4</sup> | Jy cm <sup>4</sup> |  |
|   | 58,71              | 35,34              |  |   | 64,56              | 20,31              |  |
| KASA PROFİLİ-80 mm<br>FRAME PROFILE                             | AĞIRLIK / Weight   |                    |  | KANAT PROFİLİ-DÜZ<br>SASH PROFILE-FLAT  | AĞIRLIK / Weight   |                    |  |
|   | 1,959 kg/mt        |                    |  |   | 1,863 kg/mt        |                    |  |
| TH78 03   | Jx cm <sup>4</sup> | Jy cm <sup>4</sup> |  | TH78 18   | Jx cm <sup>4</sup> | Jy cm <sup>4</sup> |  |
|   | 60,71              | 26,87              |  |   | 62,90              | 17,32              |  |
| PERVAZLI KASA PROFİLİ<br>FRAME PROFILE                          | AĞIRLIK / Weight   |                    |  | KANAT PROFİLİ-45 mm<br>SASH PROFILE   | AĞIRLIK / Weight   |                    |  |
|   | 1,770 kg/mt        |                    |  |   | 1,828 kg/mt        |                    |  |
| TH78 04   | Jx cm <sup>4</sup> | Jy cm <sup>4</sup> |  | TH78 14   | Jx cm <sup>4</sup> | Jy cm <sup>4</sup> |  |
|   | 54,05              | 18,25              |  |   | 67,53              | 24,33              |  |
| PERVAZLI KASA PROFİLİ<br>FRAME PROFILE                          | AĞIRLIK / Weight   |                    |  | KANAT PROFİLİ-45 mm<br>MULTI POINT SİSTEM<br>SASH PROFILE-MULTI POINT           | AĞIRLIK / Weight   |                    |  |
|   | 1,723 kg/mt        |                    |  |   | 1,964 kg/mt        |                    |  |
| TH78 21   | Jx cm <sup>4</sup> | Jy cm <sup>4</sup> |  | TH78 214  | Jx cm <sup>4</sup> | Jy cm <sup>4</sup> |  |
|   | 51,99              | 18,69              |  |   | 71,36              | 25,10              |  |
| ORTA KAYIT PROFİLİ<br>81 mm (vidalı)<br>TRANSOM-MULLION PROFILE | AĞIRLIK / Weight   |                    |  | KANAT PROFİLİ- 2 mm<br>MULTI POINT SİSTEM<br>SASH PROFILE-MULTI POINT           | AĞIRLIK / Weight   |                    |  |
|   | 1,781 kg/mt        |                    |  |   | 2,063 kg/mt        |                    |  |
| TH78 22   | Jx cm <sup>4</sup> | Jy cm <sup>4</sup> |  | THS78 14  | Jx cm <sup>4</sup> | Jy cm <sup>4</sup> |  |
|   | 51,41              | 18,72              |  |   | 68,77              | 25,58              |  |
| ORTA KAYIT PROFİLİ<br>81 mm<br>TRANSOM-MULLION PROFILE          | AĞIRLIK / Weight   |                    |  | KANAT PROFİLİ-45 mm<br>MULTI POINT SİSTEM<br>SASH PROFILE-MULTI POINT           | AĞIRLIK / Weight   |                    |  |
|   | 1,744 kg/mt        |                    |  |   | 1,981 kg/mt        |                    |  |
| TH78 222  | Jx cm <sup>4</sup> | Jy cm <sup>4</sup> |  | TH78 12   | Jx cm <sup>4</sup> | Jy cm <sup>4</sup> |  |
|   | 57,26              | 20,27              |  |   | 78,72              | 48,38              |  |
| ORTA KAYIT PROFİLİ<br>81 mm - 2 mm<br>TRANSOM-MULLION PROFILE   | AĞIRLIK / Weight   |                    |  | İÇE AÇILIR KAPI<br>KANAT PROFİLİ<br>INNER OPENING DOOR<br>SASH PROFILE          | AĞIRLIK / Weight   |                    |  |
|   | 1,882 kg/mt        |                    |  |   | 2,240 kg/mt        |                    |  |
| TH78 23   | Jx cm <sup>4</sup> | Jy cm <sup>4</sup> |  | TH78 212  | Jx cm <sup>4</sup> | Jy cm <sup>4</sup> |  |
|   | 66,23              | 47,51              |  |   | 84,00              | 50,54              |  |
| ORTA KAYIT PROFİLİ<br>130 mm<br>TRANSOM-MULLION PROFILE         | AĞIRLIK / Weight   |                    |  | İÇE AÇILIR KAPI<br>KANAT PROFİLİ-2mm<br>INNER OPENING DOOR<br>SASH PROFILE-2mm  | AĞIRLIK / Weight   |                    |  |
|   | 2,225 kg/mt        |                    |  |   | 2,295 kg/mt        |                    |  |
| TH78 24   | Jx cm <sup>4</sup> | Jy cm <sup>4</sup> |  | THS78 12  | Jx cm <sup>4</sup> | Jy cm <sup>4</sup> |  |
|   | 223,24             | 29,97              |  |   | 79,89              | 50,09              |  |
| TAKVİYELİ ORTA KAYIT<br>PROFİLİ<br>SUPPORTED MULLION<br>PROFILE | AĞIRLIK / Weight   |                    |  | İÇE AÇILIR KAPI<br>KANAT PROFİLİ-DÜZ<br>INNER OPENING DOOR<br>SASH PROFILE-FLAT | AĞIRLIK / Weight   |                    |  |
|   | 2,816 kg/mt        |                    |  |   | 2,257 kg/mt        |                    |  |

\* Sipariş öncesi kalıp bilgisi kontrol edilmeli

Profil ağırlıklarımız teorik olup; teslim anındaki tartımız geçerlidir.

# TH78 - 1,8mm

YALITIMLI KAPI-PENCERE SİSTEMİ  
THERMAL WINDOW&DOOR SYSTEM







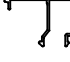











## PROFİL LİSTESİ - PROFILE LISTS








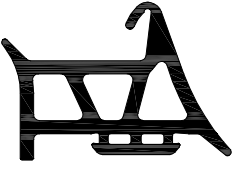




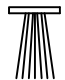


|   |                                 |  |  |              |  |
|---|---------------------------------|--|--|--------------|--|
| TH78 15   | Jx cm <sup>4</sup><br>82,88     | Jy cm <sup>4</sup><br>57,68                        |  | TH78 41      |  |
| İÇE AÇILIR KAPI KANAT PROFİLİ-MULTI POINT<br>INNER OPENING DOOR SASH PROFILE-MULTI POINT    | AĞIRLIK / Weight<br>2,358 kg/mt | AĞIRLIK / Weight<br>1,377 kg/mt                    |  |              |  |
| THS78 15  | Jx cm <sup>4</sup><br>84,10     | Jy cm <sup>4</sup><br>59,64                        |  | TH78 42      |  |
| İÇE AÇILIR KAPI KANAT PROFİLİ-MULTI POINT<br>INNER OPENING DOOR SASH PROFILE-MULTI POINT    | AĞIRLIK / Weight<br>2,376 kg/mt | AĞIRLIK / Weight<br>1,399 kg/mt                    |  |              |  |
| TH78 13   | Jx cm <sup>4</sup><br>77,57     | Jy cm <sup>4</sup><br>48,50                        |  | TH78 43      |  |
| DIŞA AÇILIR KAPI KANAT PROFİLİ<br>OUTWARD OPENING DOOR SASH PROFILE                         | AĞIRLIK / Weight<br>2,269 kg/mt | AĞIRLIK / Weight<br>1,461 kg/mt                    |  |              |  |
| THS78 13  | Jx cm <sup>4</sup><br>78,73     | Jy cm <sup>4</sup><br>50,17                        |  | 10-010225-00 |  |
| DIŞA AÇILIR KAPI KANAT PROFİLİ<br>OUTWARD OPENING DOOR SASH PROFILE                         | AĞIRLIK / Weight<br>2,288 kg/mt | KÖŞE TAKOZU-22,5 mm<br>CORNER JOINT<br>3,566 kg/mt |  |              |  |
| TH78 16   | Jx cm <sup>4</sup><br>81,87     | Jy cm <sup>4</sup><br>58,04                        |  | 10-010429-00 |  |
| DIŞA AÇILIR KAPI KANAT PROFİLİ-MULTI POINT<br>OUTWARD OPENING DOOR SASH PROFILE-MULTI POINT | AĞIRLIK / Weight<br>2,390 kg/mt | KÖŞE TAKOZU-42,7 mm<br>CORNER JOINT<br>5,483 kg/mt |  |              |  |
| THS78 16  | Jx cm <sup>4</sup><br>83,01     | Jy cm <sup>4</sup><br>59,94                        |  | 12-91        |  |
| DIŞA AÇILIR KAPI KANAT PROFİLİ-MULTI POINT<br>OUTWARD OPENING DOOR SASH PROFILE-MULTI POINT | AĞIRLIK / Weight<br>2,408 kg/mt | DIK BAĞLANTI<br>T JOINT<br>0,794 kg/mt             |  |              |  |
| TH78 31   | Jx cm <sup>4</sup><br>136,54    | Jy cm <sup>4</sup><br>92,88                        |  | 04-025025-12 |  |
| ETEK PROFİLİ-130 mm<br>BOTTOM PLATE PROFILE   | AĞIRLIK / Weight<br>2,905 kg/mt | KASA T 'Sİ - 30 mm<br>FRAME BORDER<br>0,159 kg/mt  |  |              |  |
| 12-32   |                                 |  |  |              |  |
| EŞİK PROFİLİ<br>BOTTOM RAIL PROFILE   | AĞIRLIK / Weight<br>0,865 kg/mt |  |  |              |  |
| TH78 52   | Jx cm <sup>4</sup><br>31,05     | Jy cm <sup>4</sup><br>43,95                        |  |              |  |
| EKSENEL DÖNÜŞ PROFİLİ<br>CORNER PROFILE   | AĞIRLIK / Weight<br>1,751 kg/mt |  |  |              |  |
| TH78 53   | Jx cm <sup>4</sup><br>44,84     | Jy cm <sup>4</sup><br>52,74                        |  |              |  |
| 90° KÖŞE PROFİLİ<br>CORNER PROFILE  | AĞIRLIK / Weight<br>1,702 kg/mt |  |  |              |  |

⚙ Sipariş öncesi kalıp bilgisi kontrol edilmeli

Profil ağırlıklarımız teorik olup; teslim anındaki tartımız geçerlidir.


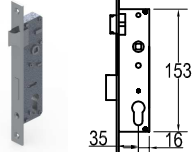



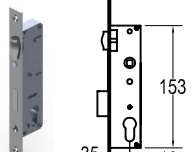









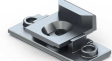


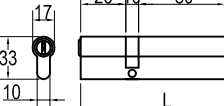
## PROFİL LİSTESİ - PROFILE LISTS

|  |                                 |   |   |                                 |   |
|--|---------------------------------|---|---|---------------------------------|---|
| 11-004                                   |                                 |    | 11-032  |                                 |    |
| CAM ÇİTASI-4 mm<br>GLAZING BEAD PROFILE  | AĞIRLIK / Weight<br>0,181 kg/mt |   | CAM ÇİTASI-32 mm<br>GLAZING BEAD PROFILE          | AĞIRLIK / Weight<br>0,315 kg/mt |   |
| 11-006                                   |                                 |    | 11-028  |                                 |    |
| CAM ÇİTASI-6 mm<br>GLAZING BEAD PROFILE  | AĞIRLIK / Weight<br>0,218 kg/mt |   | CAM ÇİTASI-35 mm<br>GLAZING BEAD PROFILE          | AĞIRLIK / Weight<br>0,323 kg/mt |   |
| 11-010                                   |                                 |    | 11-038  |                                 |    |
| CAM ÇİTASI-10 mm<br>GLAZING BEAD PROFILE | AĞIRLIK / Weight<br>0,233 kg/mt |   | CAM ÇİTASI-38 mm<br>GLAZING BEAD PROFILE          | AĞIRLIK / Weight<br>0,334 kg/mt |   |
| 11-015                                   |                                 |    | 12-01   |                                 |    |
| CAM ÇİTASI-15 mm<br>GLAZING BEAD PROFILE | AĞIRLIK / Weight<br>0,241 kg/mt |   | DAMLALIK PROFİLİ<br>RAINDROP PROFILE              | AĞIRLIK / Weight<br>0,198 kg/mt |   |
| 11-017                                   |                                 |  | 12-02   |                                 |  |
| CAM ÇİTASI-17 mm<br>GLAZING BEAD PROFILE | AĞIRLIK / Weight<br>0,250 kg/mt |   | DAMLALIK PROFİLİ<br>RAINDROP PROFILE              | AĞIRLIK / Weight<br>0,136 kg/mt |   |
| 11-020                                   |                                 |  | 12-03   |                                 |  |
| CAM ÇİTASI-20 mm<br>GLAZING BEAD PROFILE | AĞIRLIK / Weight<br>0,276 kg/mt |   | DAMLALIK PROFİLİ<br>RAINDROP PROFILE              | AĞIRLIK / Weight<br>0,313 kg/mt |   |
| 11-022                                   |                                 |  | 12-52   |                                 |  |
| CAM ÇİTASI-22 mm<br>GLAZING BEAD PROFILE | AĞIRLIK / Weight<br>0,282 kg/mt |   | PERVAZ PROFİLİ<br>BORDER PROFILE                  | AĞIRLIK / Weight<br>0,279 kg/mt |   |
| 11-026                                   |                                 |  | 12-53   |                                 |  |
| CAM ÇİTASI-26 mm<br>GLAZING BEAD PROFILE | AĞIRLIK / Weight<br>0,296 kg/mt |   | PERVAZ MONTAJ<br>PROFİLİ<br>BORDER FIXING PROFILE | AĞIRLIK / Weight<br>0,177 kg/mt |   |
| 11-028                                   |                                 |  | 12-54   |                                 |  |
| CAM ÇİTASI-28 mm<br>GLAZING BEAD PROFILE | AĞIRLIK / Weight<br>0,302 kg/mt |   | PERVAZ PROFİLİ<br>BORDER PROFILE                  | AĞIRLIK / Weight<br>0,326 kg/mt |   |
| 11-030                                   |                                 |  | 12-41   |                                 |  |
| CAM ÇİTASI-30 mm<br>GLAZING BEAD PROFILE | AĞIRLIK / Weight<br>0,308 kg/mt |   | TİJ PROFİLİ<br>SASH PROFILE                       | AĞIRLIK / Weight<br>0,118 kg/mt |   |

|   |   |   |  |  |   |
|---|---|---|--|--|---|
| EP1-01  |   |    | ASI-H 9730   |  |    |
| DIŞ CAM FİTİLİ - 2,5 mm<br>OUTER GLAZING GASKET | KOLİ MİKTARI/Package<br>250 mt / 15 kg  |   | SİSTEM İKİLİ MENTEŞE<br>DOUBLE SYSTEM HINGE                                  | KOLİ MİKTARI/Package<br>250 Adet / Piece |   |
| EP2-01  |   |    | ASI-H 9733   |  |    |
| İÇ CAM FİTİLİ - 3 mm<br>INNER GLAZING GASKET    | KOLİ MİKTARI/Package<br>440 mt / 15 kg  |   | SİSTEM ÜÇLÜ MENTEŞE<br>TRIPLE SYSTEM HINGE                                   | KOLİ MİKTARI/Package<br>250 Adet / Piece |   |
| EP2-02  |   |    | ASI-H 3300   |  |    |
| İÇ CAM FİTİLİ - 4 mm<br>INNER GLAZING GASKET    | KOLİ MİKTARI/Package<br>300 mt / 15 kg  |   | SİSTEM KAPI MENTEŞESİ<br>SYSTEM DOOR HINGE                                   | KOLİ MİKTARI/Package<br>Adet / Piece     |   |
| EP2-03  |   |    | ASI-V 820  |  |    |
| İÇ CAM FİTİLİ - 5 mm<br>INNER GLAZING GASKET    | KOLİ MİKTARI/Package<br>250 mt / 15 kg  |   | VASİSTAS AÇILIM KOLU<br>TRANSOM OPENING HANDLE                               | KOLİ MİKTARI/Package<br>30 Adet / Piece  |   |
| EP4-07  |   |  | ASI-V 816  |  |  |
| ORTA BİNİ FİTİLİ<br>GASKET FOR OPEN JOINT       | KOLİ MİKTARI/Package<br>150 mt / 15 kg  |   | VASİSTAS AÇILIM KOLU<br>TRANSOM OPENING HANDLE                               | KOLİ MİKTARI/Package<br>50 Adet / Piece  |   |
| EP3-01  |   |  | ASI-V 1000   |  |  |
| KANAT BİNİ FİTİLİ<br>SASH GASKET                | KOLİ MİKTARI/Package<br>430 mt / 15 kg  |   | VASİSTAS MAKAS (PVC)<br>TRANSOM RESTRICTER                                   | KOLİ MİKTARI/Package<br>120 Adet / Piece |   |
| EP3-02  |   |  | ASI-V 1080   |  |  |
| KASA BİNİ FİTİLİ<br>FRAME GASKET                | KOLİ MİKTARI/Package<br>300 mt / 15 kg  |   | VASİSTAS MAKAS<br>TRANSOM RESTRICTER   | KOLİ MİKTARI/Package<br>60 Adet / Piece  |   |
| KF 67-1000                                      |   |  | ASI-V 1275-3   |  |  |
| FİRÇA FİTİL<br>BRUSH GASKET                     | KOLİ MİKTARI/Package<br>600 mt          |   | VASİSTAS 3 KADEMELİ<br>ÇELİK MAKAS<br>TRANSOM RESTRICTER<br>WITH 3 POSITIONS | KOLİ MİKTARI/Package<br>10 Adet / Piece  |   |
| ASI-F 100A                                      |   |  | ASI-V 1275-5   |  |  |
| KAPI ALTI FİRÇASI<br>DOOR BRUSH GASKET          | KOLİ MİKTARI/Package<br>Adet / Piece    |   | VASİSTAS 5 KADEMELİ<br>ÇELİK MAKAS<br>TRANSOM RESTRICTER<br>WITH 5 POSITIONS | KOLİ MİKTARI/Package<br>10 Adet / Piece  |   |
| TH78 HOK  |   |  | ASI-V 0148   |  |  |
| ADAPTÖR KAPAĞI<br>ADAPTER COVER                 | KOLİ MİKTARI/Package<br>alt-üst 1 takım |   | VASİSTAS ÇELİK MAKAS<br>TRANSOM STEEL RESTRICTER                             | KOLİ MİKTARI/Package<br>100 Adet / Piece |   |

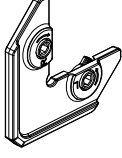


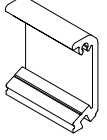

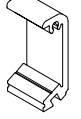
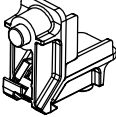
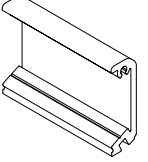
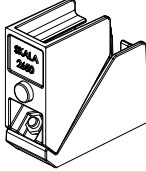
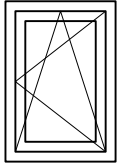
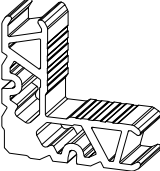
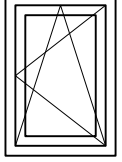
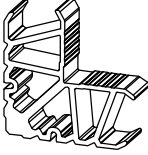
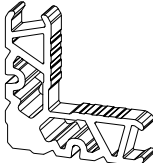
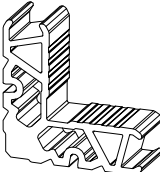
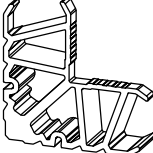
**TH78 - 1,8mm**YALITIMLI KAPI-PENCERE SİSTEMİ  
THERMAL WINDOW&DOOR SYSTEM**ASISTAL**

AKSESUAR LİSTESİ - ACCESSORIES LISTS

|  |  |   |  |  |   |
|--|--|---|--|--|---|
| <b>ASI-WH 0760</b>   |  |    | <b>ASI-153 35</b>                                  |  |    |
| PENCERE KOLU<br>WINDOW HANDLE                              | KOLİ MİKTARI/Package<br>Adet / Piece     |   | DİLLİ KİLİT<br>MOURTISE LOCK WITH<br>CYLINDER      | KOLİ MİKTARI/Package<br>Adet / Piece     |   |
| <b>ASI-WH 0790</b>   |  |    | <b>ASI-LS 90815D</b>                               |  |    |
| PENCERE KOLU<br>WINDOW HANDLE                              | KOLİ MİKTARI/Package<br>Adet / Piece     |   | DİLLİ KİLİT KARŞILIĞI<br>LOCK STRIKES              | KOLİ MİKTARI/Package<br>Adet / Piece     |   |
| <b>ASI-KA M108</b>   |  |    | <b>ASI-155 35</b>                                  |  |    |
| EKSENEL KOL KİLİTLEME<br>MEKANİZMASI<br>LOCKING FOR WINDOW | KOLİ MİKTARI/Package<br>Adet / Piece     |   | MAKARALI KİLİT<br>MOURTISE LOCK WITH<br>ROLLER     | KOLİ MİKTARI/Package<br>Adet / Piece     |   |
| <b>ASI-KA P200</b>   |  |    | <b>ASI-LS 90185M</b>                               |  |    |
| EKSENEL KOL KİLİTLEME<br>MEKANİZMASI<br>LOCKING FOR WINDOW | KOLİ MİKTARI/Package<br>Adet / Piece     |   | MAKARALI KİLİT<br>KARŞILIĞI<br>ROLLER LOCK STRIKES | KOLİ MİKTARI/Package<br>Adet / Piece     |   |
| <b>ASI-KA VNT</b>  |  |  | <b>ASI-B 2217</b>                                  |  |  |
| KANAT SABİTLEME<br>SASH FIXING                             | KOLİ MİKTARI/Package<br>Adet / Piece     |   | SÜRGÜ KİLİTLEME-KISA<br>SASH FIXING LOCK-SHORT     | KOLİ MİKTARI/Package<br>240 Adet / Piece |   |
| <b>ASI-DH 2051</b>   |  |  | <b>ASI-B 2215</b>                                  |  |  |
| KAPI KOLU<br>DOOR HANDLE                                   | KOLİ MİKTARI/Package<br>Adet / Piece     |   | SÜRGÜ KİLİTLEME-UZUN<br>SASH FIXING LOCK-LONG      | KOLİ MİKTARI/Package<br>120 Adet / Piece |   |
| <b>ASI-DH 2070</b>   |  |  | <b>ASI-RP 001</b>                                  |  |  |
| KAPI KOLU<br>DOOR HANDLE                                   | KOLİ MİKTARI/Package<br>Adet / Piece     |   | TİJ PİMİ<br>ROD PROFILE LOCKING                    | KOLİ MİKTARI/Package<br>Adet / Piece     |   |
| <b>ASI-DH 60Y</b>  |  |  | <b>ASI-RS 001</b>                                  |  |  |
| ÇEKME KAPI KOLU<br>DOOR HANDLE                             | KOLİ MİKTARI/Package<br>Adet / Piece     |   | PİM KARŞILIĞI<br>ROD PROFILE STRIKES               | KOLİ MİKTARI/Package<br>120 Adet / Piece |   |
| <b>ASI-DH 40KB</b>   |  |  | <b>ASI-WDC 01</b>                                  |  |  |
| ÇEKME KAPI KOLU<br>DOOR HANDLE                             | KOLİ MİKTARI/Package<br>Adet / Piece     |   | YAĞMUR TAHLİYE<br>KAPAĞI<br>WATER REJECT COVER     | KOLİ MİKTARI/Package<br>Adet / Piece     |   |
| <b>ASI-BRL 116</b>   |  |  |  |  |   |
| 116 LİK BAREL<br>CYLINDER 116                              | KOLİ MİKTARI/Package<br>250 Adet / Piece |   |  |  |   |



## AKSESUAR LİSTESİ - ACCESSORIES LISTS

|   |   |   |   |  |   |
|---|---|---|---|--|---|
| <b>ASI-FUJI 2000</b>                    |   |    | <b>ASI-P 100.1</b>                                    |  |    |
| AYARLI KÖŞE GÖNYESİ<br>CORNER ALIGNMENT | KOLİ MİKTARI/Package<br>Adet / Piece      |   | ORTA KAYIT BAĞLANTI<br>T JOINT                        | KOLİ MİKTARI/Package<br>250 Adet / Piece |   |
| <b>ASI-SB 19</b>                        |   |    | <b>ASI-DB 9143</b>                                    |  |    |
| KÖŞE GÖNYESİ<br>CORNER ALIGNMENT        | KOLİ MİKTARI/Package<br>1000 Adet / Piece |   | DİK BAĞLANTI<br>T JOINT                               | KOLİ MİKTARI/Package<br>Adet / Piece     |   |
| <b>ASI-SB 19.1</b>                      |   |    | <b>ASI-DB 9123</b>                                    |  |    |
| KÖŞE GÖNYESİ<br>CORNER ALIGNMENT        | KOLİ MİKTARI/Package<br>1000 Adet / Piece |   | DİK BAĞLANTI<br>T JOINT                               | KOLİ MİKTARI/Package<br>Adet / Piece     |   |
| <b>ASI-PB 2326</b>                      |   |    | <b>ASI-DB 9170</b>                                    |  |   |
| PİMLİ KÖŞE BAĞLANTI<br>CORNER JOINT     | KOLİ MİKTARI/Package<br>200 Adet / Piece  |   | DİK BAĞLANTI<br>T JOINT                               | KOLİ MİKTARI/Package<br>Adet / Piece     |   |
| <b>ASI-PB 2650</b>                      |   |  | <b>ASI-ALU TT</b>                                     |  |  |
| PİMLİ KÖŞE BAĞLANTI<br>CORNER JOINT     | KOLİ MİKTARI/Package<br>150 Adet / Piece  |   | ÇİFT EKSEN AÇILIM<br>MEKANİZMASI<br>TILT&TURN OPENING | KOLİ MİKTARI/Package<br>Takım / Set      |   |
| <b>ASI-KT 2660</b>                      |   |  | <b>ASI-PVC TT</b>                                     |  |  |
| KÖŞE TAKOZU<br>CORNER JOINT             | KOLİ MİKTARI/Package<br>Adet / Piece      |   | ÇİFT EKSEN AÇILIM<br>MEKANİZMASI<br>TILT&TURN OPENING | KOLİ MİKTARI/Package<br>Takım / Set      |   |
| <b>ASI-KT 2650</b>                      |   |  |   |  |   |
| KÖŞE TAKOZU<br>CORNER JOINT             | KOLİ MİKTARI/Package<br>Adet / Piece      |   |   |  |   |
| <b>ASI-KT 2308</b>                      |   |  |   |  |   |
| KÖŞE TAKOZU<br>CORNER JOINT             | KOLİ MİKTARI/Package<br>Adet / Piece      |   |   |  |   |
| <b>ASI-KT 2319</b>                      |   |  |   |  |   |
| KÖŞE TAKOZU<br>CORNER JOINT             | KOLİ MİKTARI/Package<br>Adet / Piece      |   |   |  |   |
| <b>ASI-KT 4308</b>                      |   |  |   |  |   |
| KÖŞE TAKOZU<br>CORNER JOINT             | KOLİ MİKTARI/Package<br>Adet / Piece      |   |   |  |   |

**TH78 - 1,8mm**

YALITIMLI KAPI-PENCERE SİSTEMİ  
THERMAL WINDOW&DOOR SYSTEM

**ASISTAL**

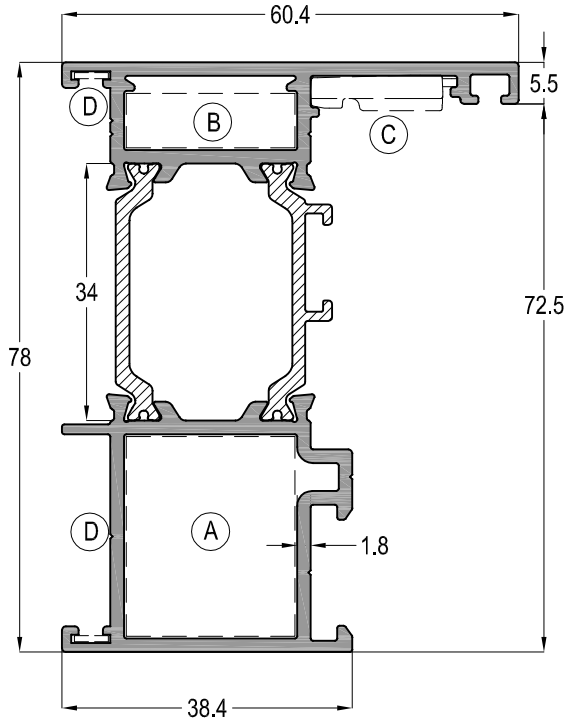
**PROFİL DETAYLARI**  
*PROFILE DETAILS*

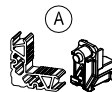
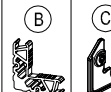
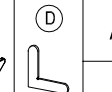



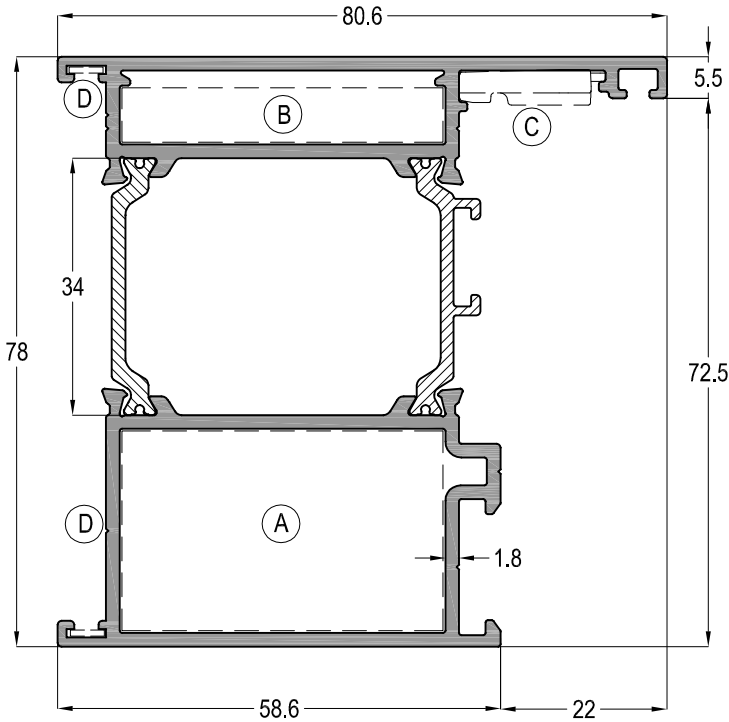
# TH78 - 1,8mm

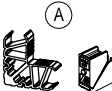
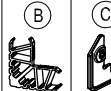
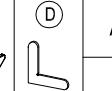

YALITIMLI KAPIL-PENCERE SİSTEMİ  
THERMAL WINDOW&DOOR SYSTEM

ASISTAL



| TH78 01   |  | Jx cm <sup>4</sup>  | Jy cm <sup>4</sup>   |
|---|--|---|--|
|   |  | 45,72   | 12,61  |
| AĞIRLIK / Weight  |  | 1,588 kg/mt   |  |
|  A<br>ASI-KT 2660-ASI-PB 2326 |  B<br>ASI-KT 2308 |  C<br>ASI-FUJJI 200Q |  D<br>ASI-SB 19 |

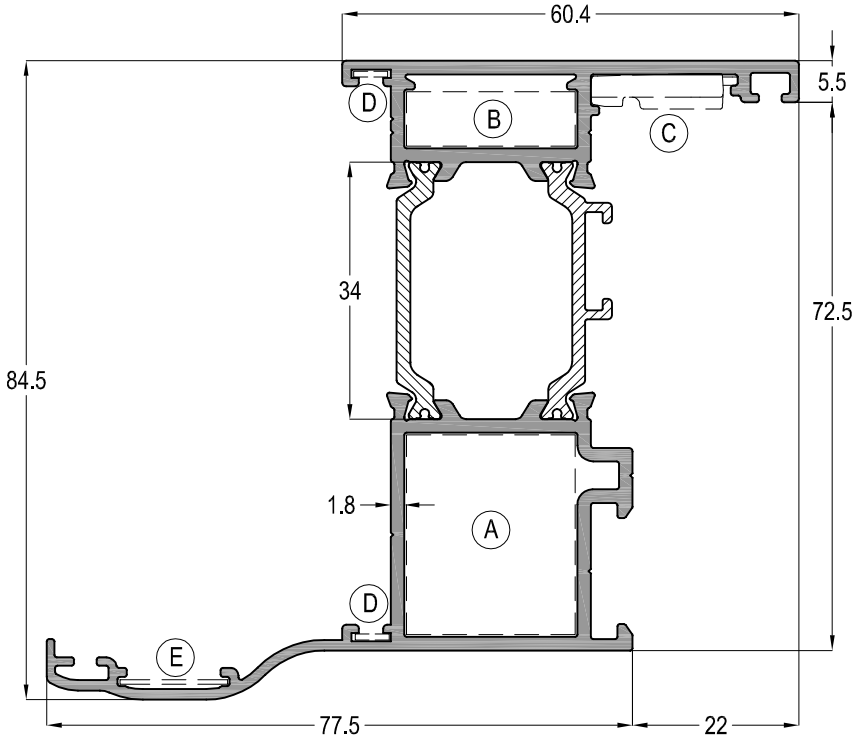


| TH78 02   |  | Jx cm <sup>4</sup>  | Jy cm <sup>4</sup>   |
|---|--|---|--|
|   |  | 58,71   | 35,34  |
| AĞIRLIK / Weight  |  | 1,959 kg/mt   |  |
|  A<br>ASI-KT 2650-ASI-PB 2650 |  B<br>ASI-KT 4308 |  C<br>ASI-FUJJI 200Q |  D<br>ASI-SB 19 |

# TH78 - 1,8mm

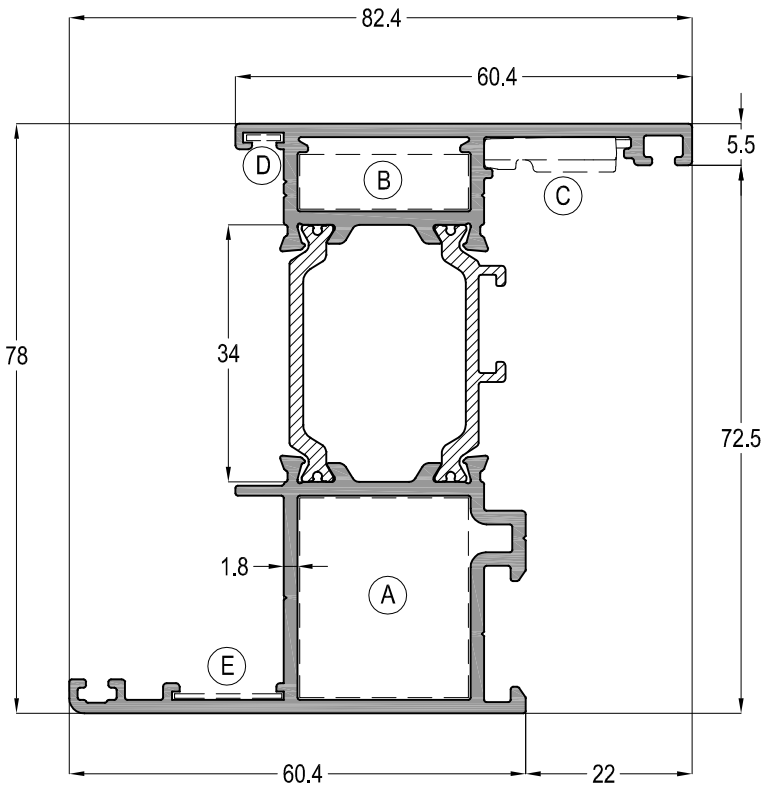
YALITIMLI KAPI-PENCERE SİSTEMİ  
THERMAL WINDOW&DOOR SYSTEM

**ASISTAL**



| TH78 03          |  | Jx cm <sup>4</sup> | Jy cm <sup>4</sup> |
|------------------|--|--------------------|--------------------|
|                  |  | 60,71              | 26,87              |
| AĞIRLIK / Weight |  | 1,770 kg/mt        |                    |

| A                       | B           | C             | E           |
|-------------------------|-------------|---------------|-------------|
|                         |             |               |             |
| ASI-KT 2660-ASI-PB 2326 | ASI-KT 2308 | ASI-FUJI 2000 | ASI-SB 19.1 |



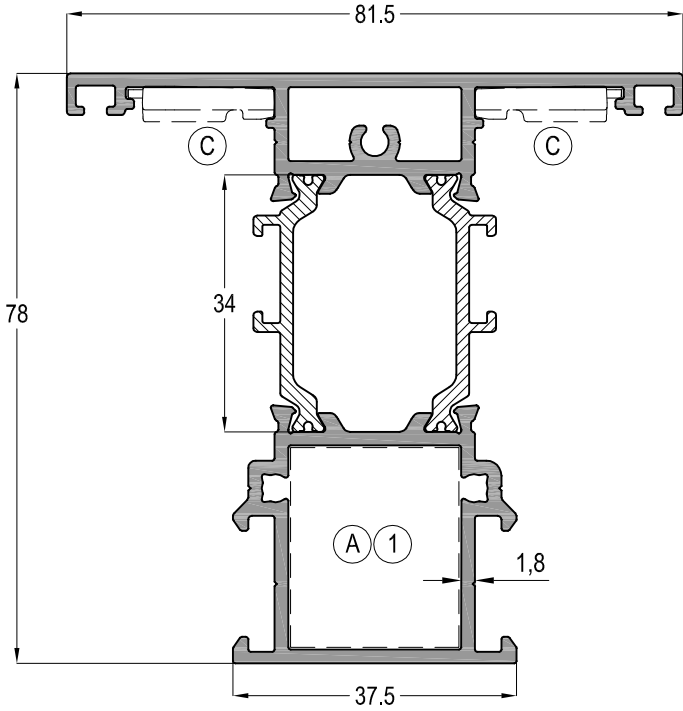
| TH78 04          |  | Jx cm <sup>4</sup> | Jy cm <sup>4</sup> |
|------------------|--|--------------------|--------------------|
|                  |  | 54,05              | 18,25              |
| AĞIRLIK / Weight |  | 1,723 kg/mt        |                    |




| A                       | B           | C             | E           |
|-------------------------|-------------|---------------|-------------|
|                         |             |               |             |
| ASI-KT 2660-ASI-PB 2326 | ASI-KT 2308 | ASI-FUJI 2000 | ASI-SB 19.1 |

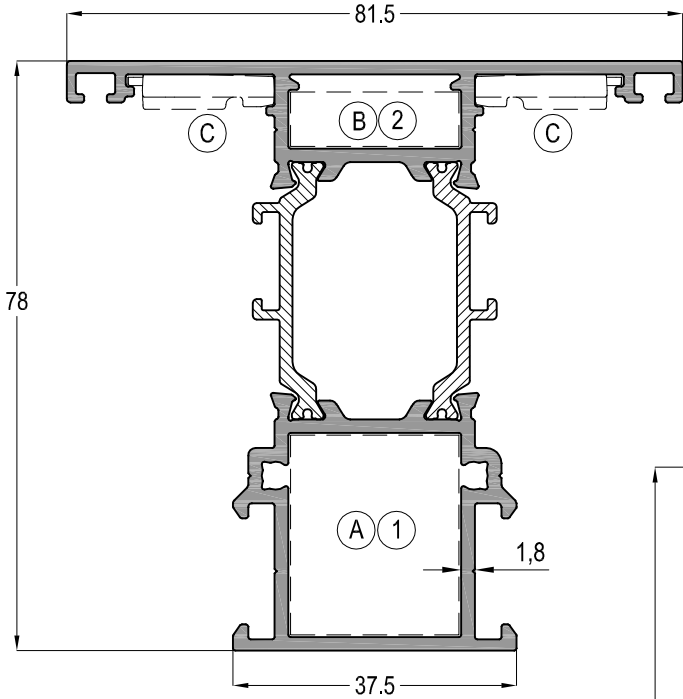
# TH78 - 1,8mm

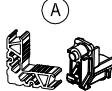

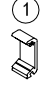
YALITIMLI KAPI-PENCERE SİSTEMİ  
THERMAL WINDOW&DOOR SYSTEM

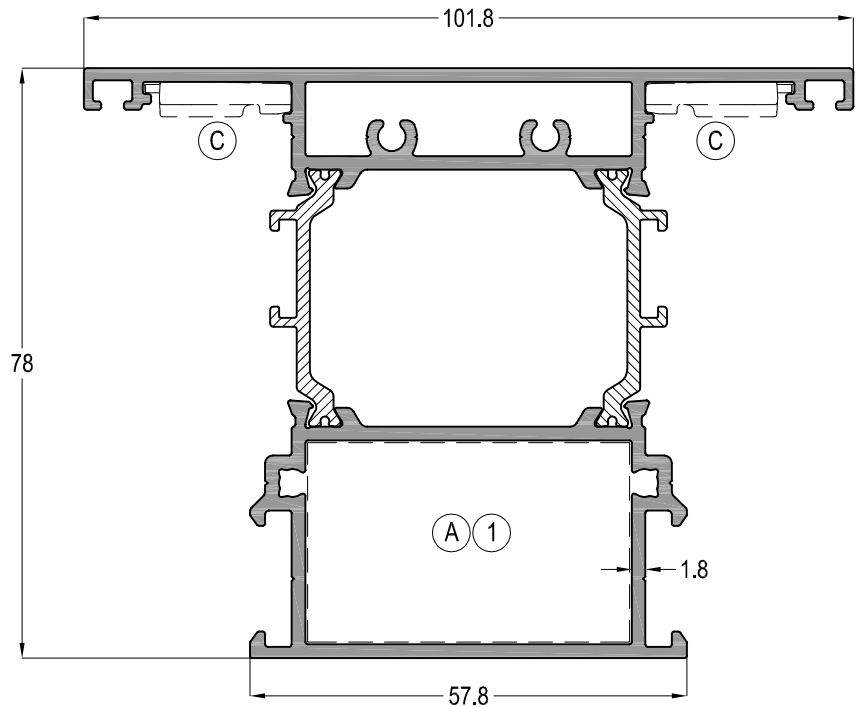
## ASISTAL

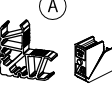

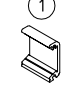


| TH78 21  |   |   | Jx cm <sup>4</sup> | Jy cm <sup>4</sup> |
|--|---|---|--------------------|--------------------|
|  |   |   | 51,99              | 18,69              |
|  |  |  | AĞIRLIK / Weight   |                    |
|  |   |   | 1,781 kg/mt        |                    |



| TH78 22  |   |   | Jx cm <sup>4</sup> | Jy cm <sup>4</sup> |
|--|---|---|--------------------|--------------------|
|  |   |   | 51,41              | 18,72              |
|  |  |  | AĞIRLIK / Weight   |                    |
|  |   |   | 1,744 kg/mt        |                    |

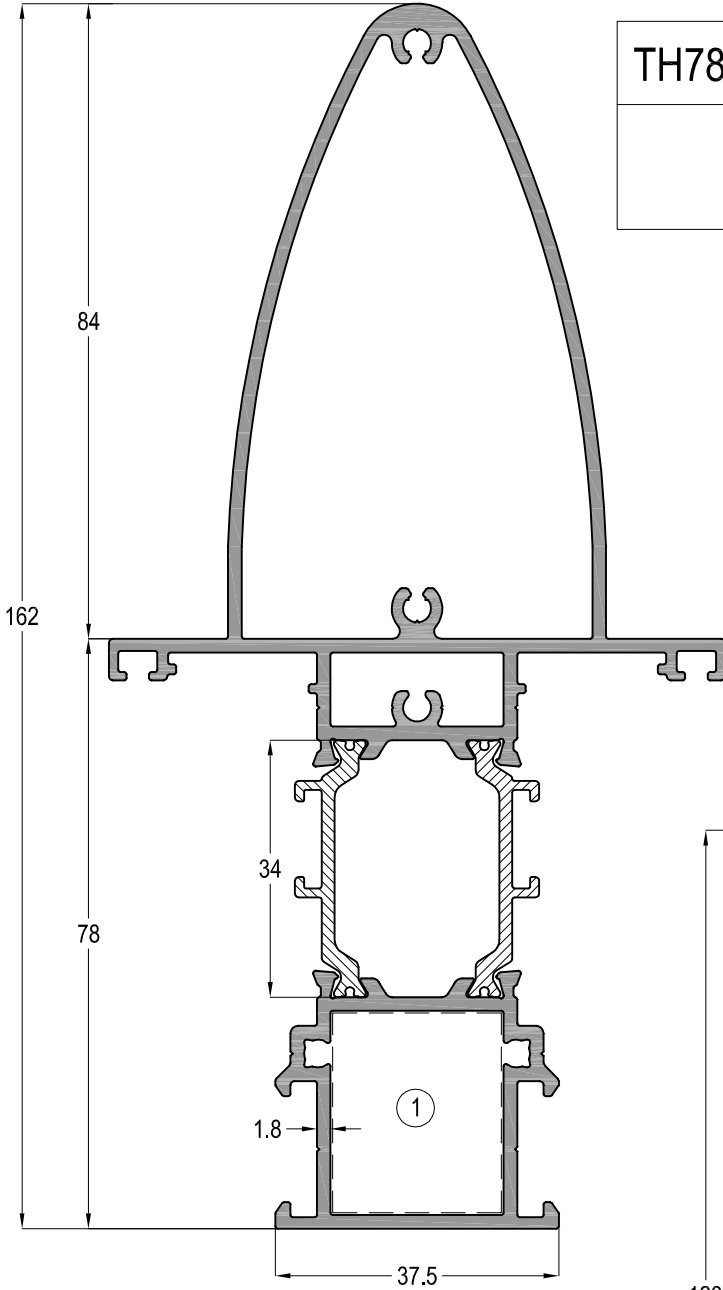



| TH78 23   |   |   | Jx cm <sup>4</sup> | Jy cm <sup>4</sup> |
|---|---|---|--------------------|--------------------|
|   |   |   | 66,23              | 47,51              |
|  |  |  | AĞIRLIK / Weight   |                    |
|   |   |   | 2,225 kg/mt        |                    |

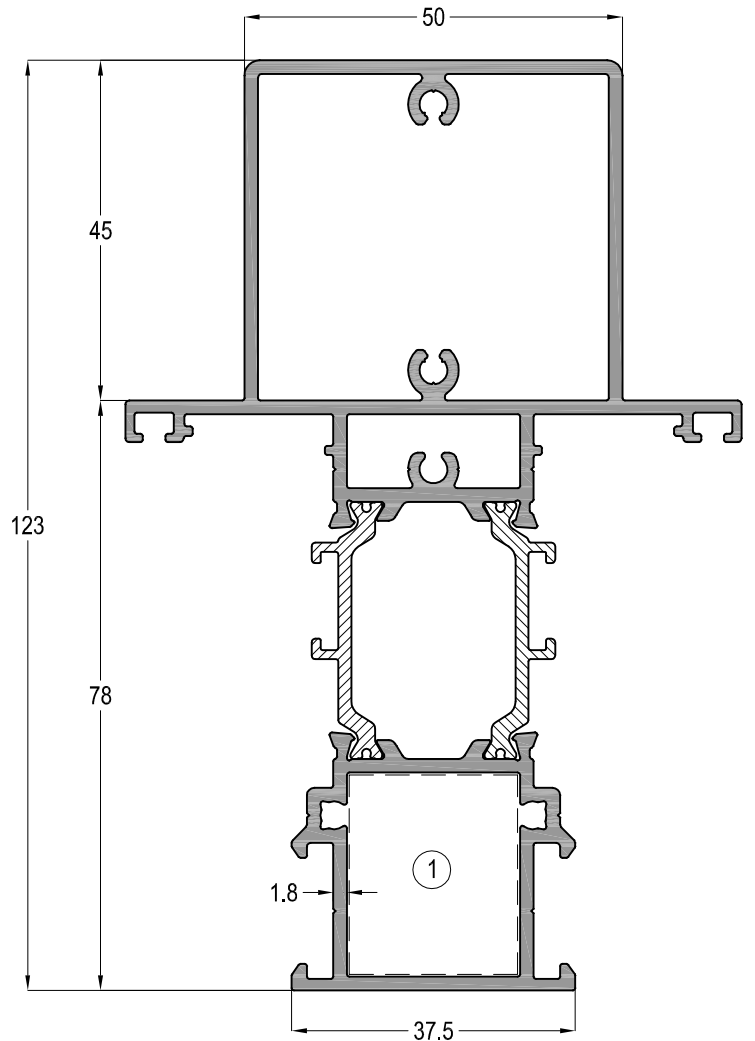
Profil ağırlıklarımız teorik olup; teslim anındaki tartımız geçerlidir.


# TH78 - 1,8mm

YALITIMLI KAPI-PENCERE SİSTEMİ  
THERMAL WINDOW&DOOR SYSTEM



|   |                    |                    |
|---|--------------------|--------------------|
| TH78 24   | Jx cm <sup>4</sup> | Jy cm <sup>4</sup> |
|   | 223,24             | 29,97              |
| <br>ASI-DB 9123 | AĞIRLIK / Weight   |                    |
|   | 2,816 kg/mt        |                    |



|  |                    |                    |
|--|--------------------|--------------------|
| TH78 25  | Jx cm <sup>4</sup> | Jy cm <sup>4</sup> |
|  | 135,67             | 29,50              |
| <br>ASFDDB 9123 | AĞIRLIK / Weight   |                    |
|  | 2,586 kg/mt        |                    |

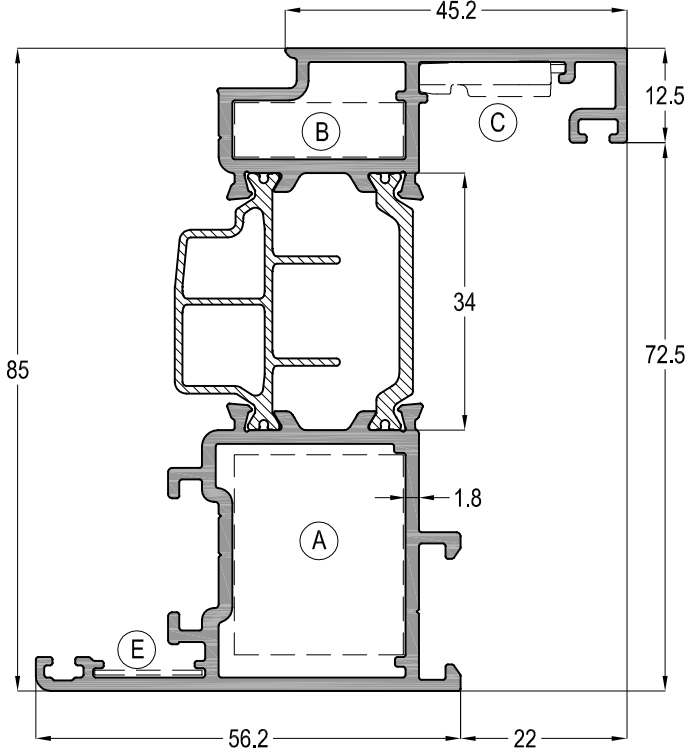
Profil ağırlıklarımız teorik olup; teslim anındaki tartımız geçerlidir.

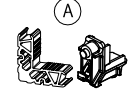
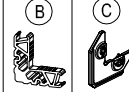
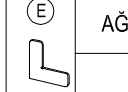
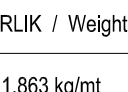
# TH78 - 1,8mm

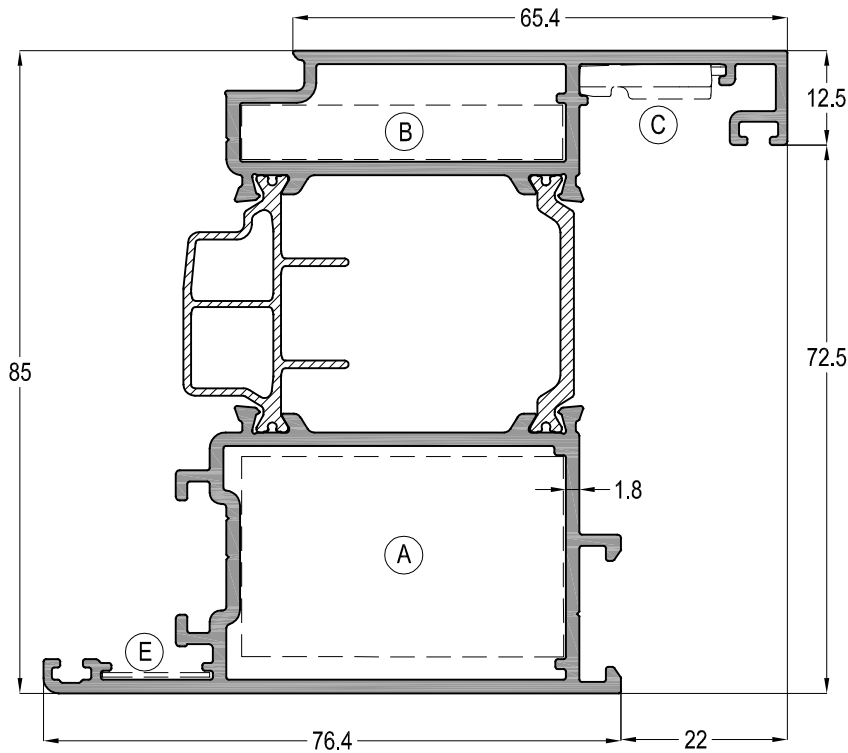
YALITIMLI KAPI-PENCERE SİSTEMİ  
THERMAL WINDOW&DOOR SYSTEM


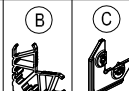
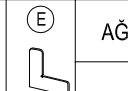



## THS SERİSİ DÜZ KANAT PROFİLLERİ THS SERIES FLAT SASH PROFILES



| THS78 11   |   |   |   | Jx cm <sup>4</sup> | Jy cm <sup>4</sup> |
|--|---|---|---|--------------------|--------------------|
|  |   |   |   | 64,56              | 20,31              |
|  |  |  |  | AĞIRLIK / Weight   |                    |
| ASI-KT 2660-ASI-PB 2326  |   |   |   | 1,863 kg/mt        |                    |
| ASI-KT 2308  |   |   |   |                    |                    |
| ASI-FUJJI 2000   |   |   |   |                    |                    |
| ASI-SB 19,1  |   |   |   |                    |                    |



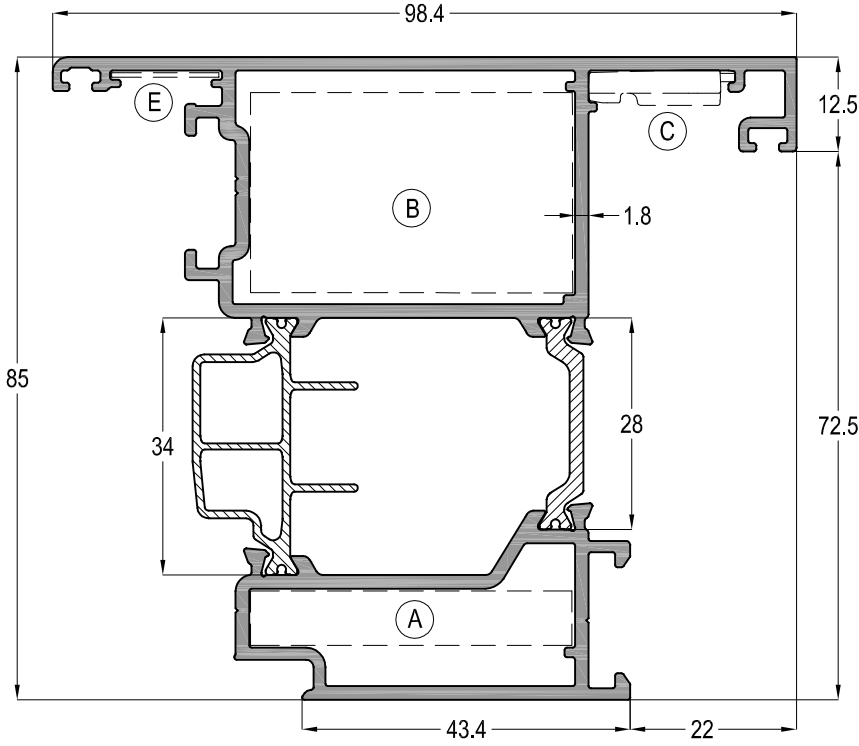
| THS78 12   |   |   |   | Jx cm <sup>4</sup> | Jy cm <sup>4</sup> |
|--|---|---|---|--------------------|--------------------|
|  |   |   |   | 79,89              | 50,09              |
|  |  |  |  | AĞIRLIK / Weight   |                    |
| ASI-KT 2650-ASI-PB 2650  |   |   |   | 2,257 kg/mt        |                    |
| ASI-KT 4308  |   |   |   |                    |                    |
| ASI-FUJJI 2000   |   |   |   |                    |                    |
| ASI-SB 19,1  |   |   |   |                    |                    |

# TH78 - 1,8mm

YALITIMLI KAPI-PENCERE SİSTEMİ  
THERMAL WINDOW&DOOR SYSTEM



## THS SERİSİ DÜZ KANAT PROFİLLERİ THS SERIES FLAT SASH PROFILES



| THS78 13         |     | Jx cm <sup>4</sup> | Jy cm <sup>4</sup> |
|------------------|-----|--------------------|--------------------|
|                  |     | 78,73              | 50,17              |
| (A)              | (B) | (C)                | (E)                |
|                  |     |                    |                    |
| AĞIRLIK / Weight |     |                    |                    |
| 2,288 kg/mt      |     |                    |                    |

# TH78 - 1,8mm

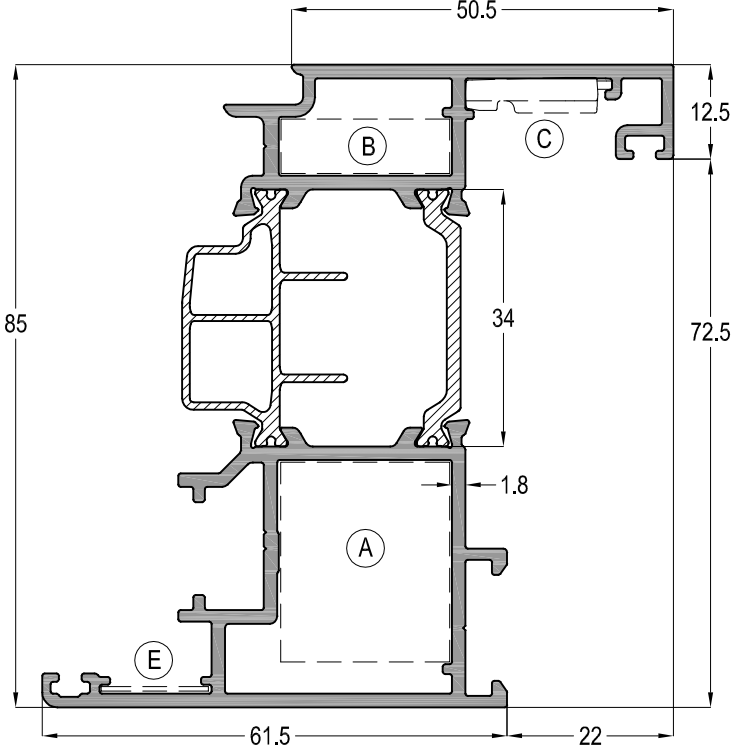
YALITIMLI KAPI-PENCERE SİSTEMİ  
THERMAL WINDOW&DOOR SYSTEM



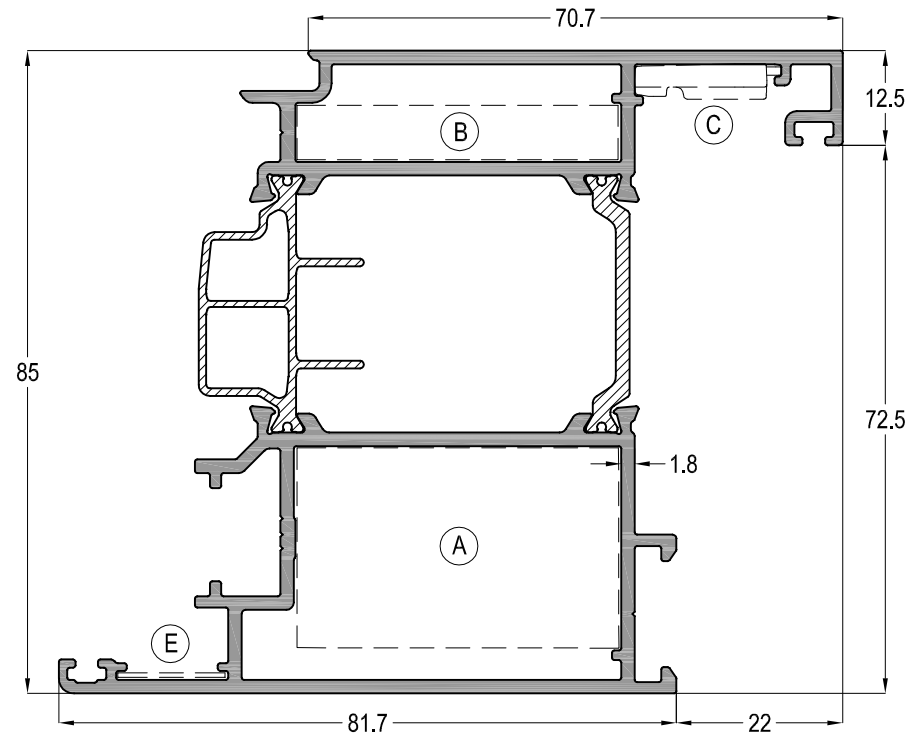
## THS SERİSİ ÇOK NOKTADAN KİLİTLEME

### KANAT PROFİLLERİ

THS SERIES MULTI POINT LOCK SASH PROFILES



| THS78 14         |     | Jx cm <sup>4</sup> | Jy cm <sup>4</sup> |
|------------------|-----|--------------------|--------------------|
|                  |     | 68,77              | 25,58              |
| (A)              | (B) | (C)                | (E)                |
| AĞIRLIK / Weight |     |                    |                    |
| 1,981 kg/mt      |     |                    |                    |



| THS78 15         |     | Jx cm <sup>4</sup> | Jy cm <sup>4</sup> |
|------------------|-----|--------------------|--------------------|
|                  |     | 84,10              | 59,64              |
| (A)              | (B) | (C)                | (E)                |
| AĞIRLIK / Weight |     |                    |                    |
| 2,376 kg/mt      |     |                    |                    |

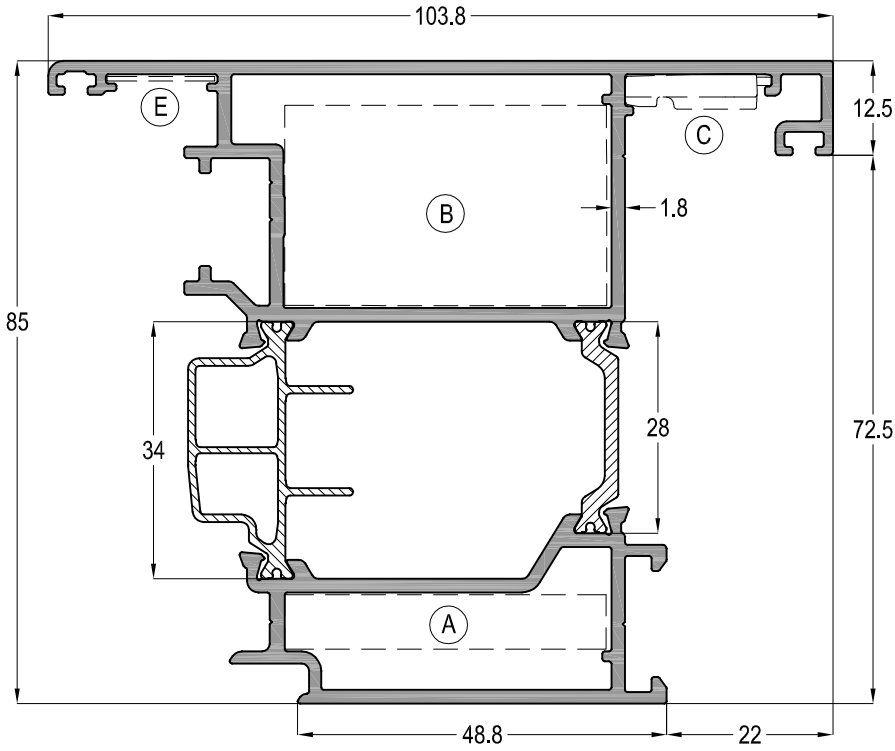
# TH78 - 1,8mm

YALITIMLI KAPI-PENCERE SİSTEMİ  
THERMAL WINDOW&DOOR SYSTEM



## THS SERİSİ ÇOK NOKTADAN KİLİTLEME KANAT PROFİLLERİ

THS SERIES MULTI POINT LOCK SASH PROFILES



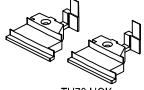
| THS78 16    |                         |                |             | Jx cm <sup>4</sup> | Jy cm <sup>4</sup> |
|-------------|-------------------------|----------------|-------------|--------------------|--------------------|
|             |                         |                |             | 83,01              | 59,94              |
| (A)         | (B)                     | (C)            | (E)         | AĞIRLIK / Weight   |                    |
| ASI-KT 4308 | ASI-KT 2650-ASI-PB 2650 | ASI-FUJII 2000 | ASI-SB 19.1 | 2,408 kg/mt        |                    |

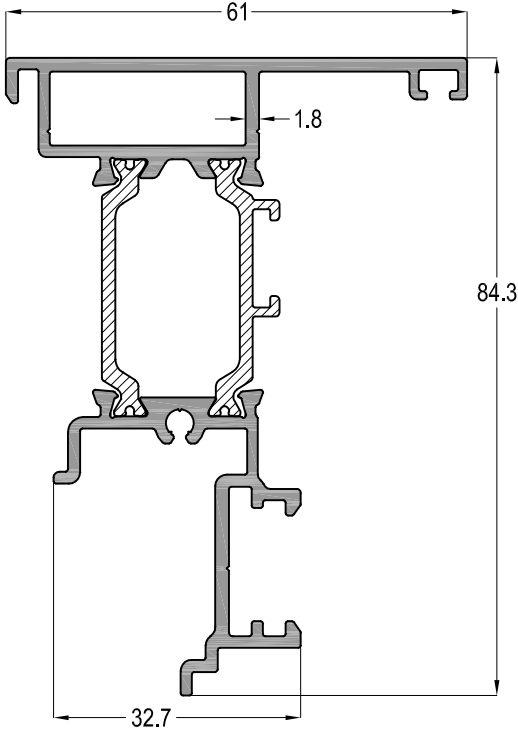



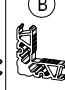

# TH78 - 1,8mm

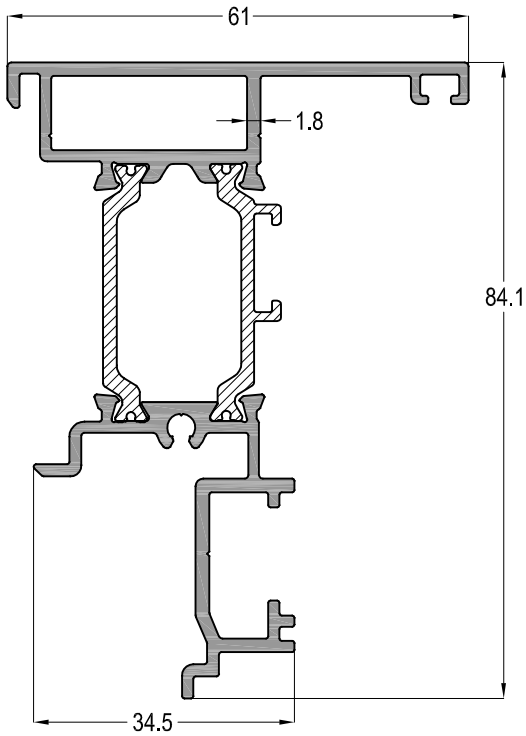
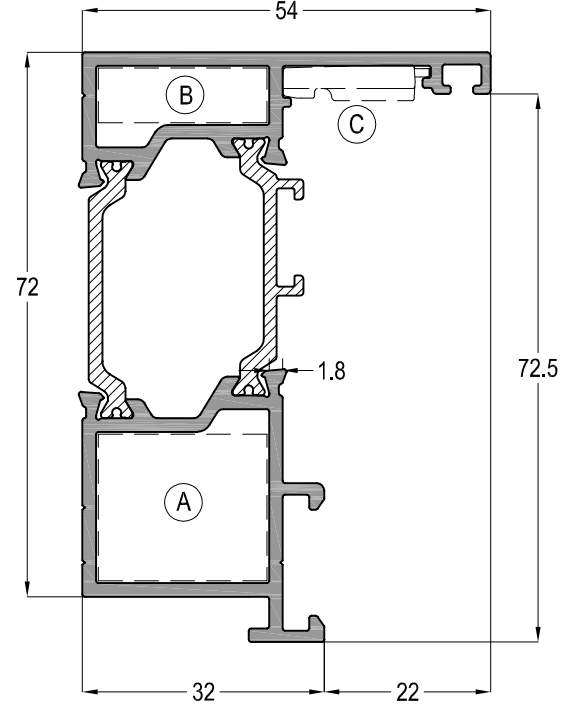
YALITIMLI KAPI-PENCERE SİSTEMİ  
THERMAL WINDOW&DOOR SYSTEM

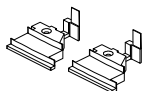


|   |                  |
|---|------------------|
| <b>TH78 41</b>  |                  |
| <br>TH78 HOK | AĞIRLIK / Weight |
|   | 1,377 kg/mt      |



|   |  |   |
|---|--|---|
| <b>TH78 43</b>  |  |   |
| <br>ASI-KT 2320 | <br>ASI-KT 2308 | <br>ASI-FUJII 2000 |
| AĞIRLIK / Weight  |  |   |
| 1,461 kg/mt   |  |   |



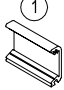
|   |                  |
|---|------------------|
| <b>TH78 42</b>  |                  |
| <br>TH78 HOK | AĞIRLIK / Weight |
|   | 1,399 kg/mt      |

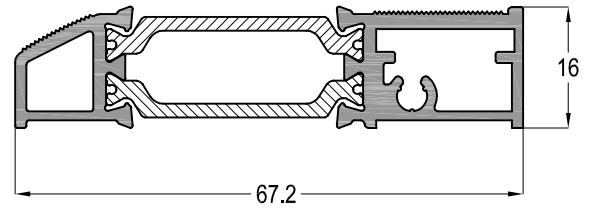
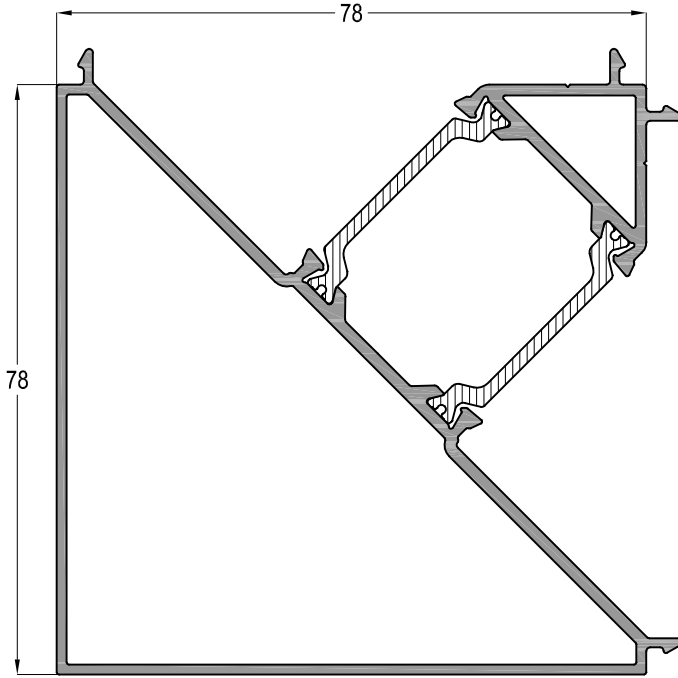
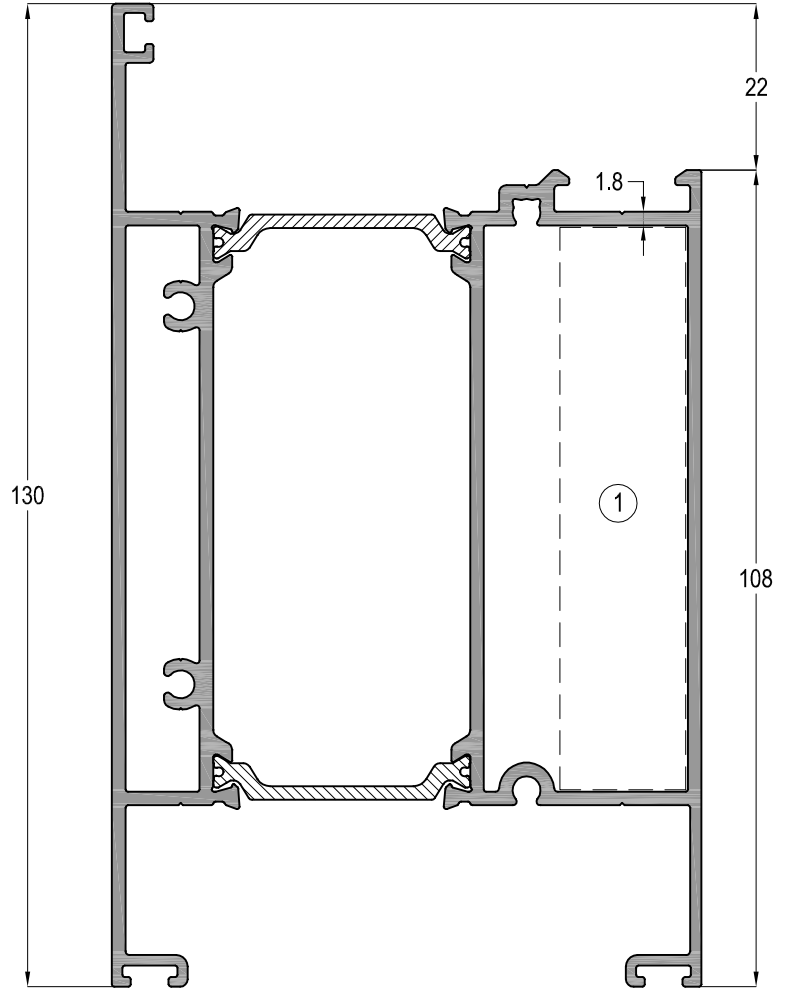
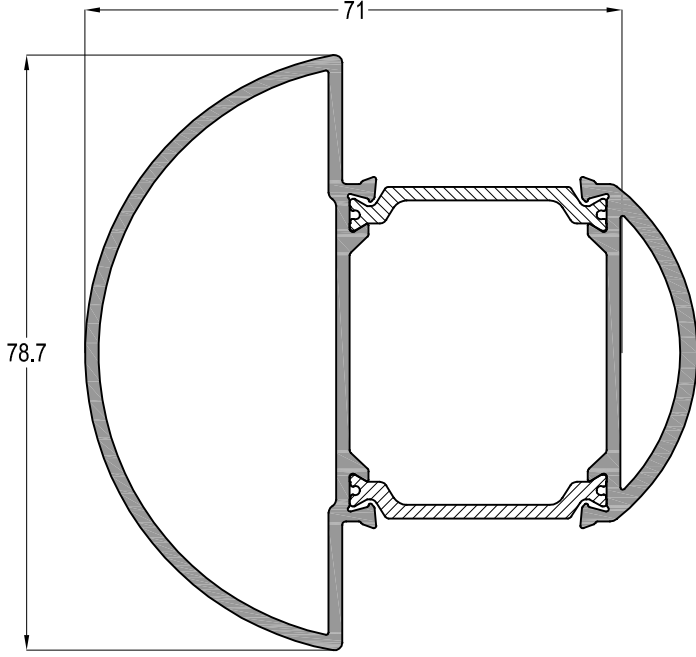
# TH78 - 1,8mm

YALITIMLI KAPI-PENCERE SİSTEMİ  
THERMAL WINDOW&DOOR SYSTEM

## ASISTAL

|         |                    |                    |
|---------|--------------------|--------------------|
| TH78 52 | Jx cm <sup>4</sup> | Jy cm <sup>4</sup> |
|         | 31,05              | 43,95              |
|         | AĞIRLIK / Weight   |                    |
|         |                    | 1,751 kg/mt        |

|   |                    |                    |
|---|--------------------|--------------------|
| TH78 31<br><br>ASH-DB 9170 | Jx cm <sup>4</sup> | Jy cm <sup>4</sup> |
|   | 136,54             | 92,88              |
|   | AĞIRLIK / Weight   |                    |
|   |                    | 2,905 kg/mt        |



|         |                    |                    |
|---------|--------------------|--------------------|
| TH78 53 | Jx cm <sup>4</sup> | Jy cm <sup>4</sup> |
|         | 44,84              | 52,74              |
|         | AĞIRLIK / Weight   |                    |
|         |                    | 1,702 kg/mt        |

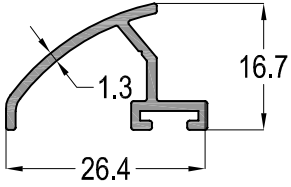
|       |                  |  |
|-------|------------------|--|
| 12-38 | AĞIRLIK / Weight |  |
|       | 0,865 kg/mt      |  |

Profil ağırlıklarımız teorik olup; teslim anındaki tartımız geçerlidir.

# TH78 - 1,8mm

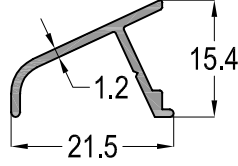
YALITIMLI KAPI-PENCERE SİSTEMİ  
THERMAL WINDOW&DOOR SYSTEM

## ASISTAL



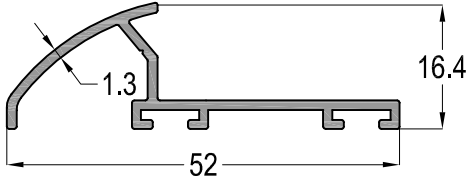
12-01

0,198 kg/mt



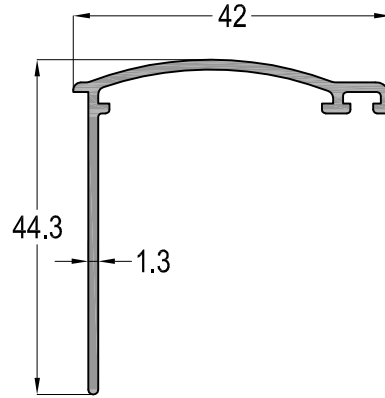
12-02

0,136 kg/mt



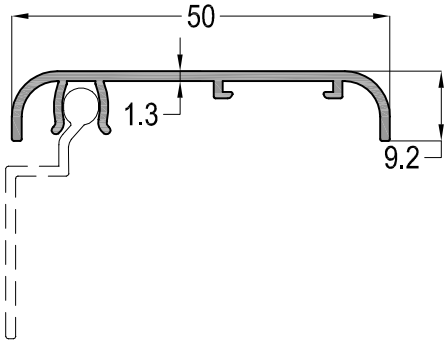
12-03

0,313 kg/mt



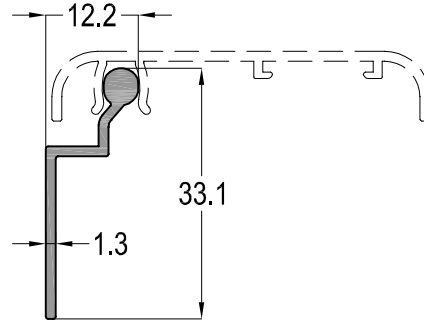
12-54

0,326 kg/mt



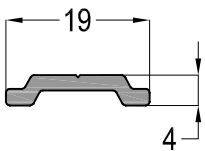
12-52

0,279 kg/mt



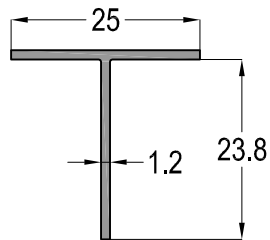
12-53

0,177 kg/mt



12-41

0,118 kg/mt



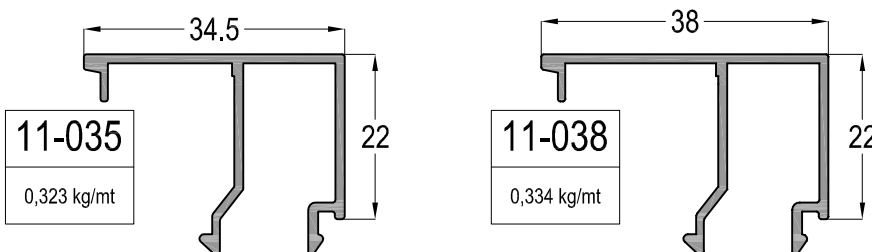
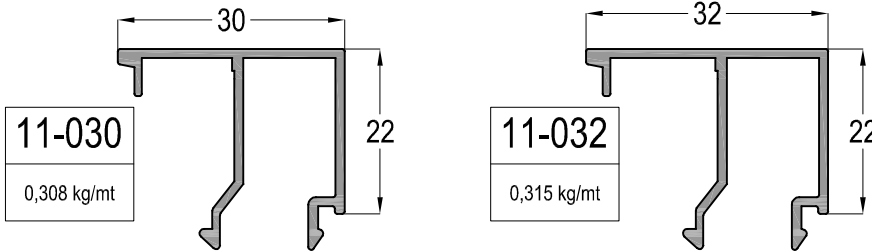
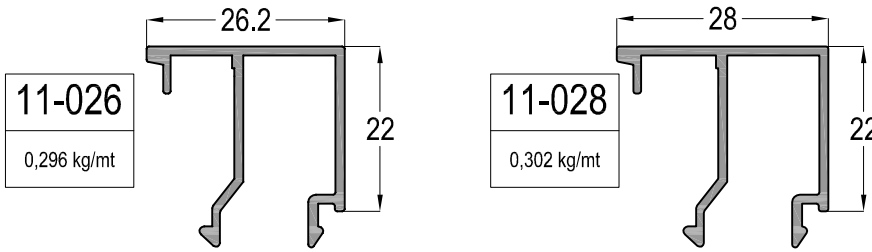
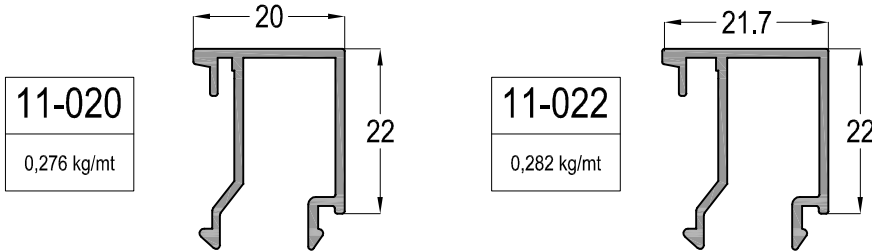
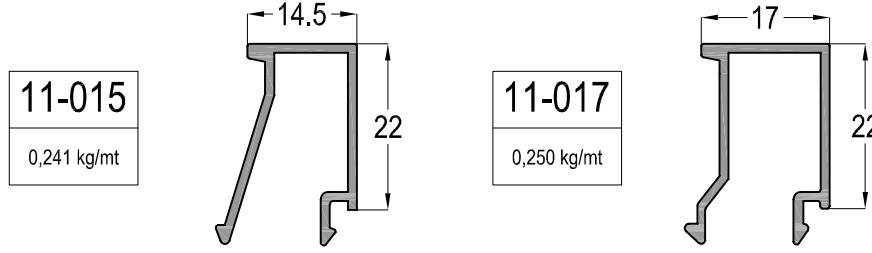
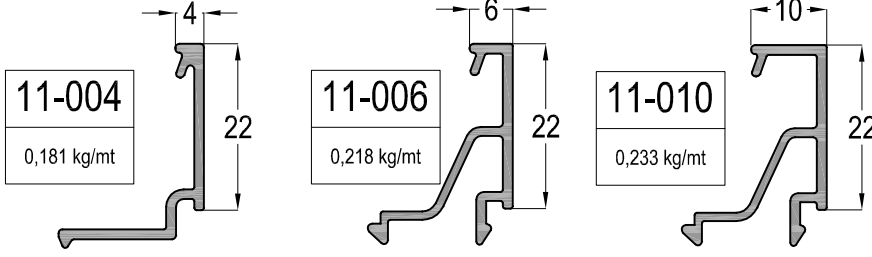
04-025025-12

0,158 kg/mt

# TH78 - 1,8mm

YALITIMLI KAPLI-PENCERE SİSTEMİ  
THERMAL WINDOW&DOOR SYSTEM

## ASISTAL



CAM KALINLIĞINA GÖRE CAM ÇITASI SEÇİM TABLOSU  
Glazing Bead Selection Table according to the Glass  
Thickness

| CAM KALINLIĞI<br>Glass Thickness<br>(mm) | CAM ÇITASI<br>Glazing Bead | İÇ CAM FİTİLİ<br>Glass Gasket<br>(IN) | DIŞ CAM FİTİLİ<br>Glass Gasket<br>(OUT) |
|--|----------------------------|---------------------------------------|---|
| 27                                       | 11-038                     | EP2-03                                | EP1-01                                  |
| 28                                       | 11-038                     | EP2-02                                | EP1-01                                  |
| 29                                       | 11-038                     | EP2-01                                | EP1-01                                  |
| 30                                       | 11-035                     | EP2-03                                | EP1-01                                  |
| 31                                       | 11-035                     | EP2-02                                | EP1-01                                  |
| 32                                       | 11-035                     | EP2-01                                | EP1-01                                  |
| 33                                       | 11-032                     | EP2-03                                | EP1-01                                  |
| 34                                       | 11-032                     | EP2-02                                | EP1-01                                  |
| 35                                       | 11-032                     | EP2-01                                | EP1-01                                  |
| 36                                       | 11-030                     | EP2-02                                | EP1-01                                  |
| 37                                       | 11-030                     | EP2-01                                | EP1-01                                  |
| 38                                       | 11-028                     | EP2-02                                | EP1-01                                  |
| 39                                       | 11-028                     | EP2-01                                | EP1-01                                  |
| 40                                       | 11-026                     | EP2-02                                | EP1-01                                  |
| 41                                       | 11-026                     | EP2-01                                | EP1-01                                  |
| 43                                       | 11-022                     | EP2-03                                | EP1-01                                  |
| 44                                       | 11-022                     | EP2-02                                | EP1-01                                  |
| 45                                       | 11-022                     | EP2-01                                | EP1-01                                  |
| 46                                       | 11-020                     | EP2-02                                | EP1-01                                  |
| 47                                       | 11-020                     | EP2-01                                | EP1-01                                  |
| 48                                       | 11-017                     | EP2-03                                | EP1-01                                  |
| 49                                       | 11-017                     | EP2-02                                | EP1-01                                  |
| 50                                       | 11-017                     | EP2-01                                | EP1-01                                  |
| 51                                       | 11-015                     | EP2-02                                | EP1-01                                  |
| 52                                       | 11-015                     | EP2-01                                | EP1-01                                  |
| 55                                       | 11-010                     | EP2-03                                | EP1-01                                  |
| 56                                       | 11-010                     | EP2-02                                | EP1-01                                  |
| 57                                       | 11-010                     | EP2-01                                | EP1-01                                  |
| 59                                       | 11-006                     | EP2-03                                | EP1-01                                  |
| 60                                       | 11-006                     | EP2-02                                | EP1-01                                  |
| 61                                       | 11-006                     | EP2-01                                | EP1-01                                  |
| 62                                       | 11-004                     | EP2-02                                | EP1-01                                  |
| 63                                       | 11-004                     | EP2-01                                | EP1-01                                  |

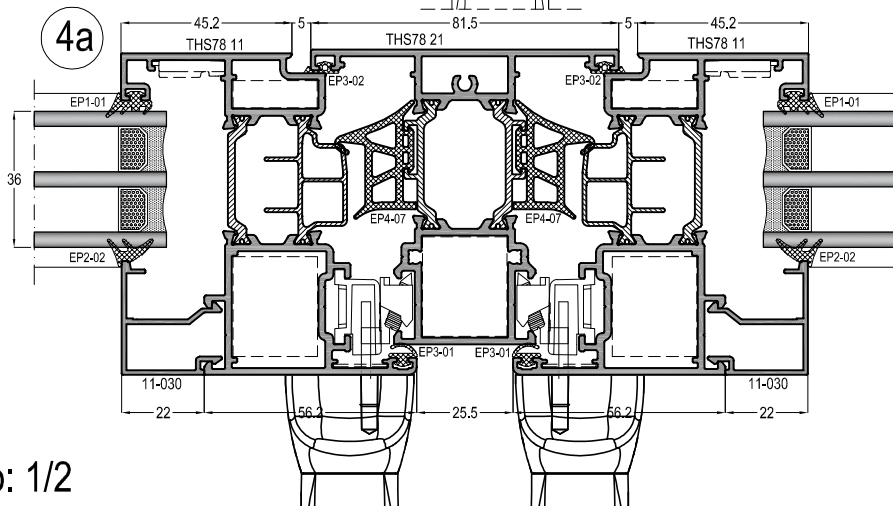
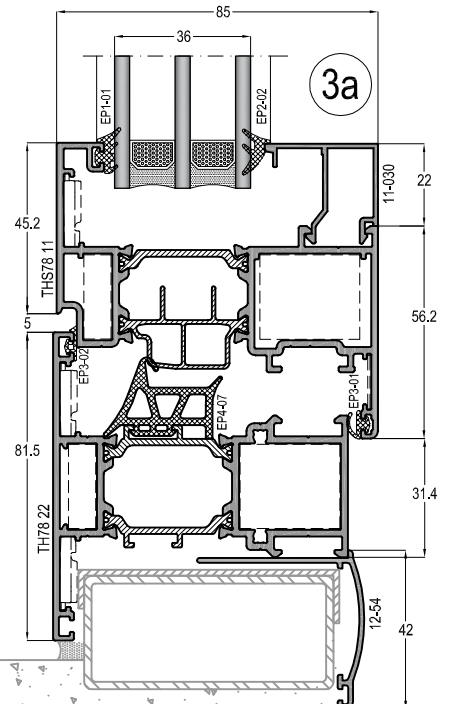
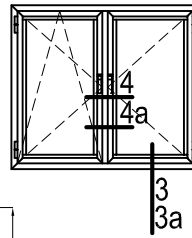
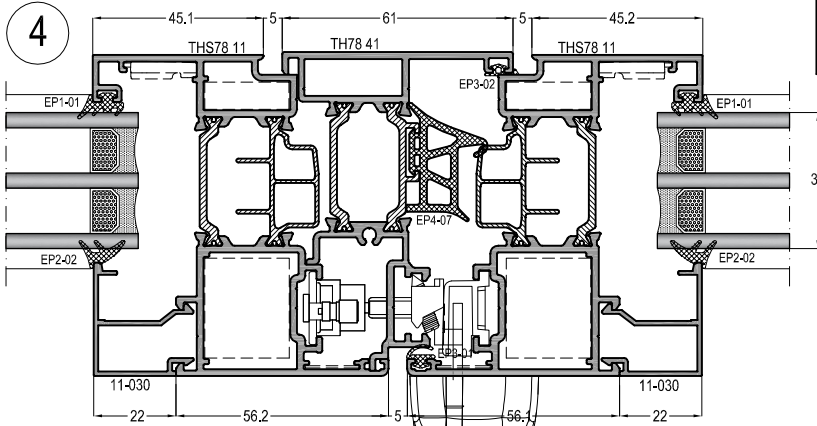
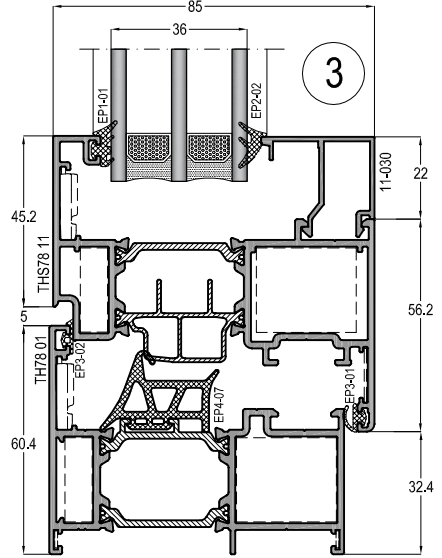
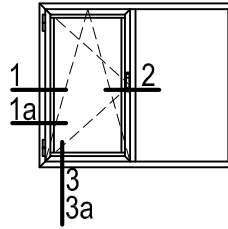
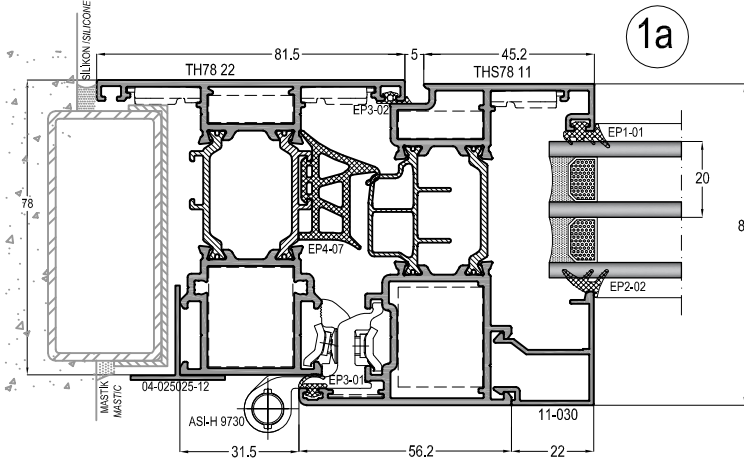
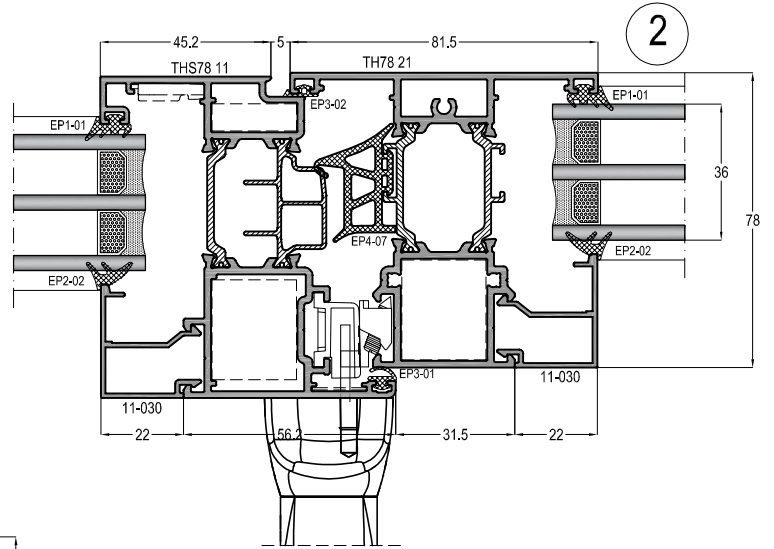
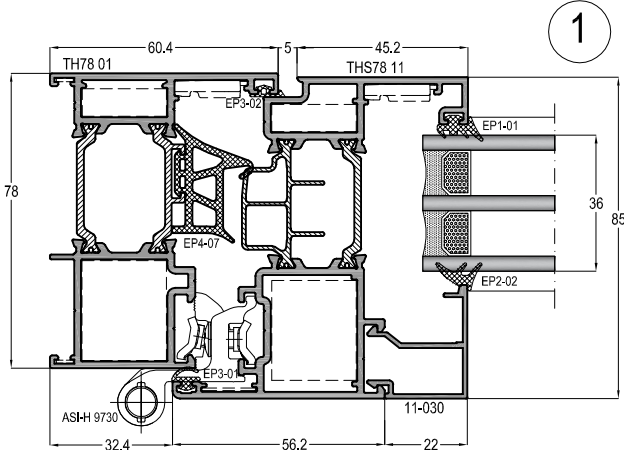
**TH78 - 1,8mm**

YALITIMLI KAPI-PENCERE SİSTEMİ  
THERMAL WINDOW&DOOR SYSTEM

**ASISTAL**

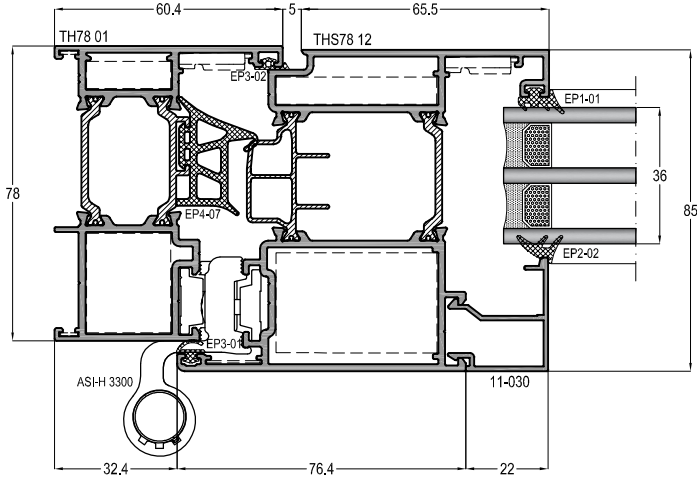
**THS SİSTEM DETAYLARI**  
*THS SYSTEM DETAILS*

### PENCERE AÇILIM DETAYLARI WINDOW OPENING DETAILS

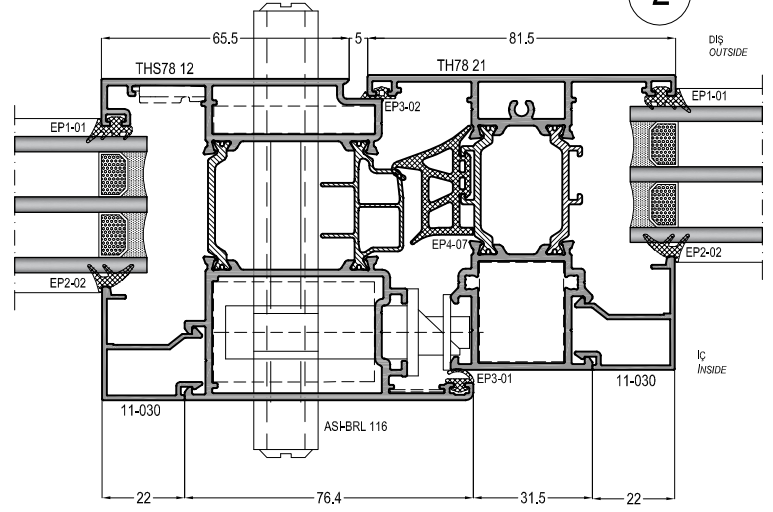


### İÇE AÇILIR KAPI DETAYLARI INNER OPENING DOOR DETAILS

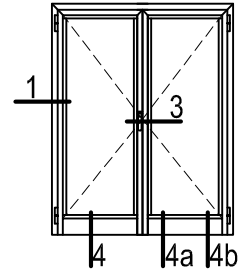
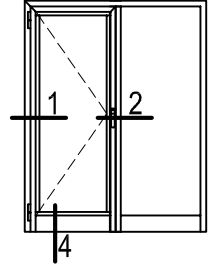
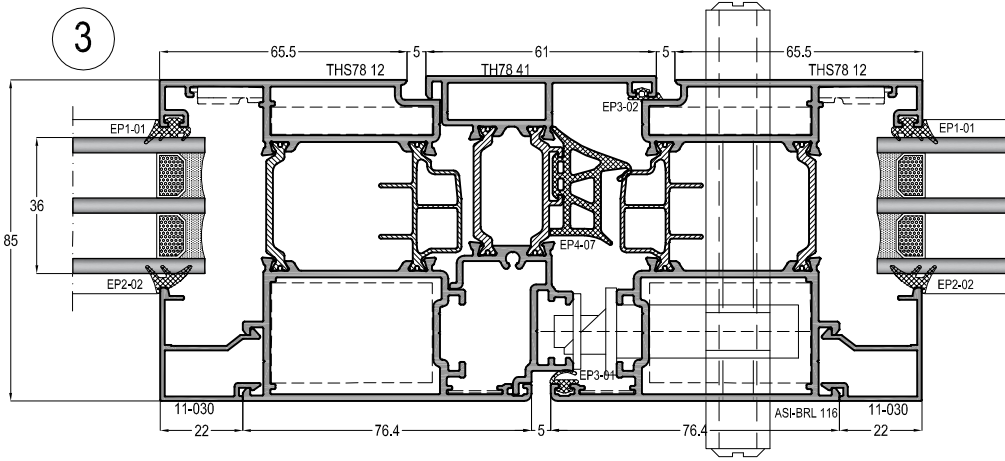
1



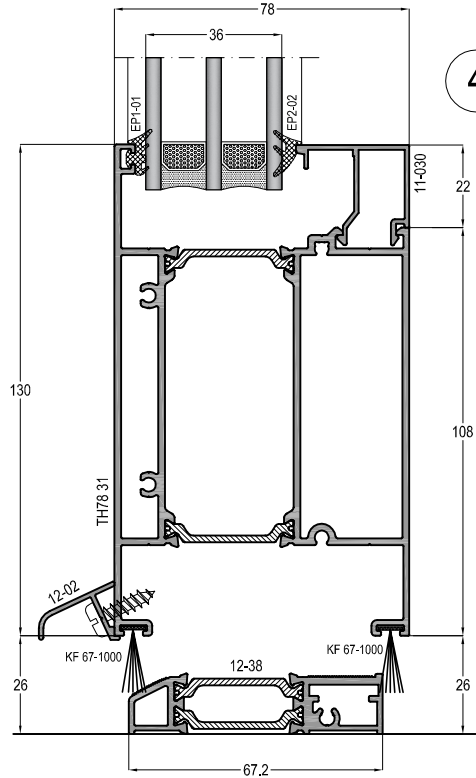
2



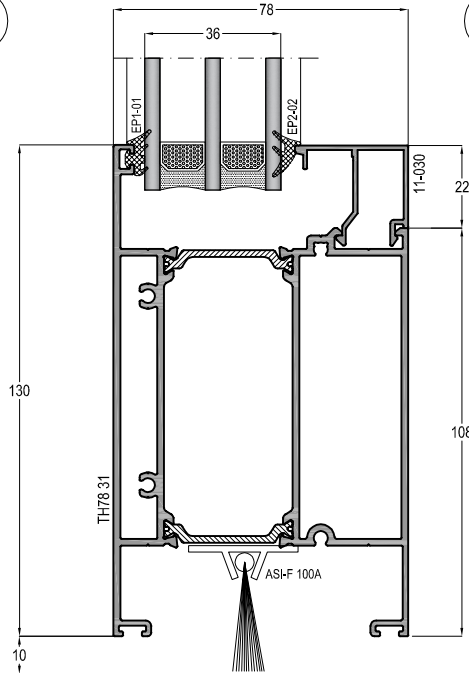
3



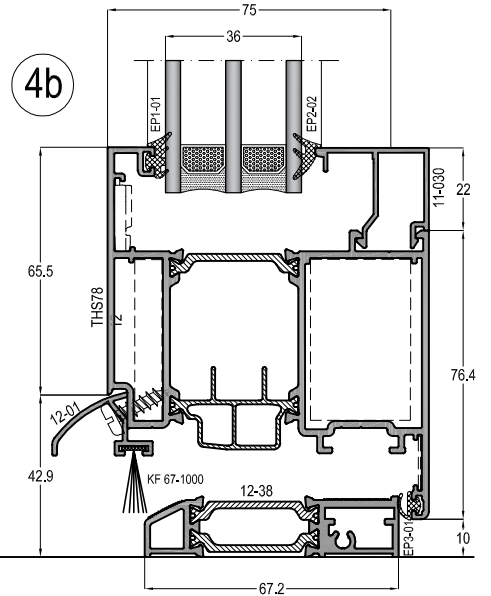
4



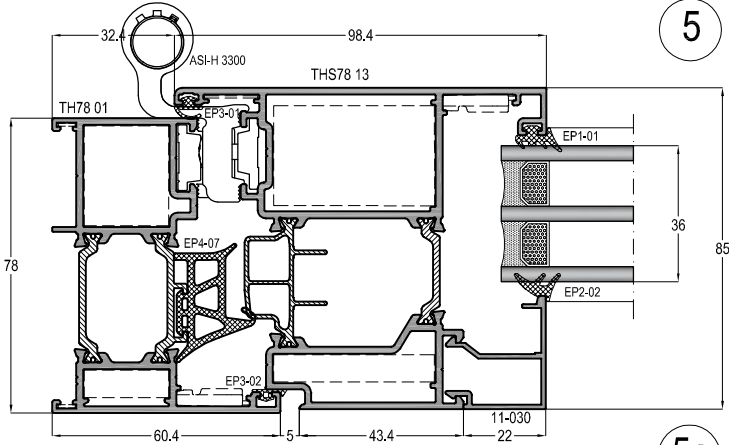
4a



4b

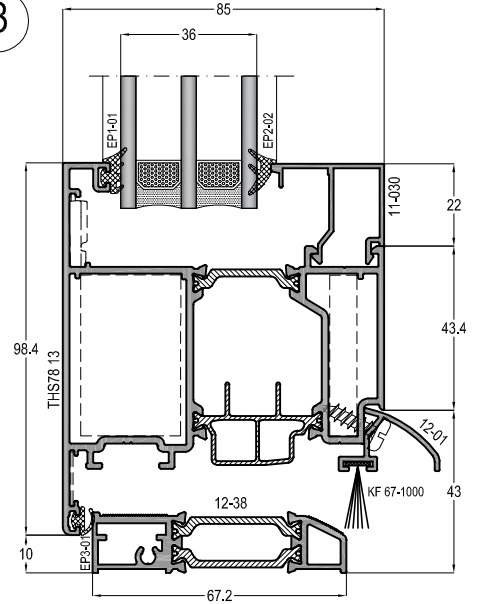


### DIŞA AÇILIR KAPI DETAYLARI OUTER OPENING DOOR DETAILS

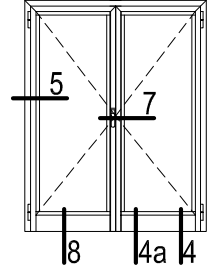
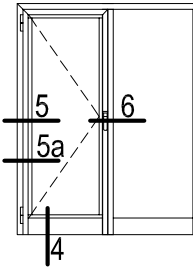
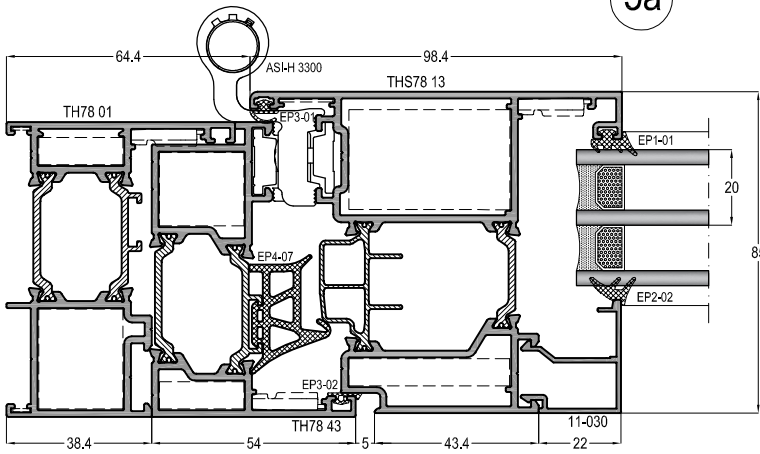


5

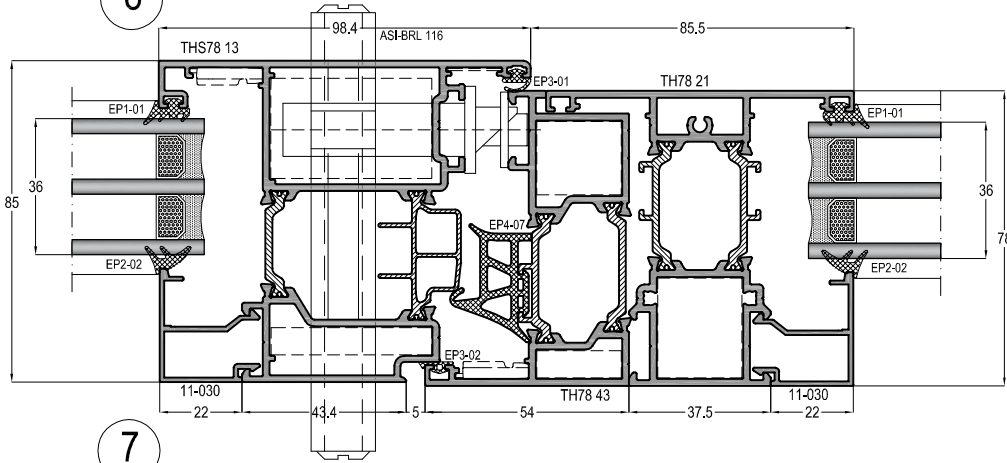
8



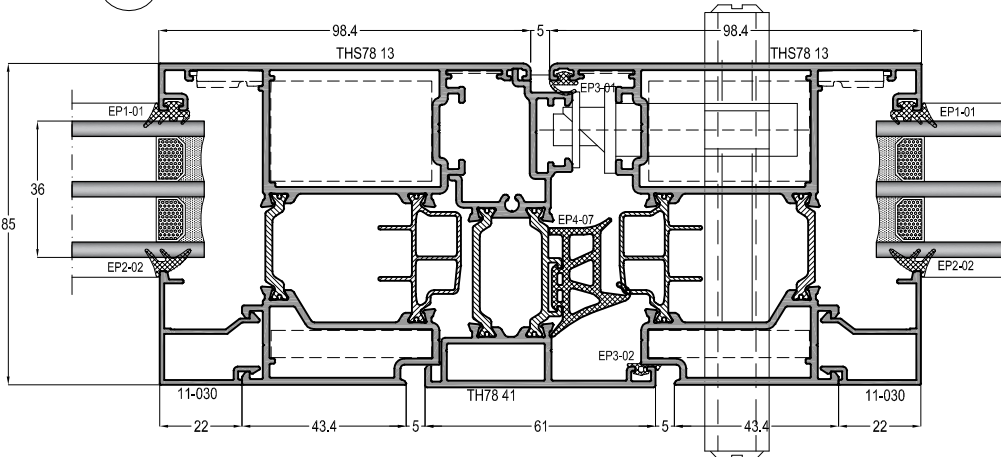
5a



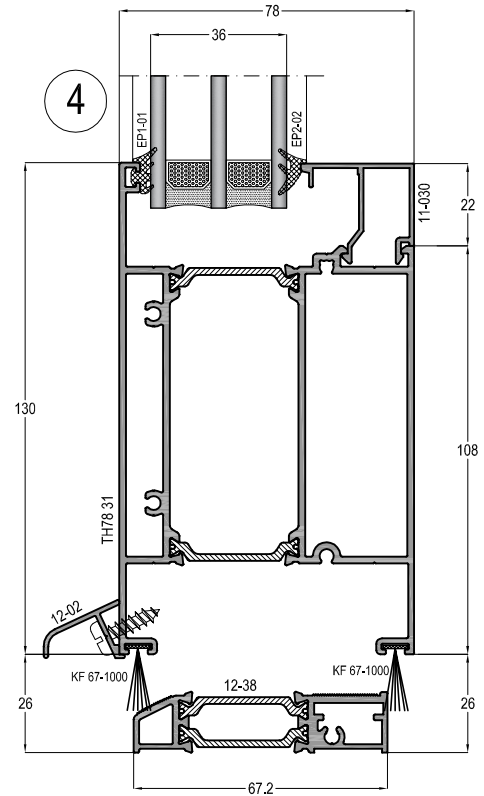
6



7



4





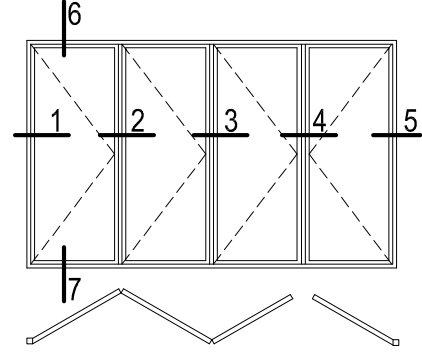
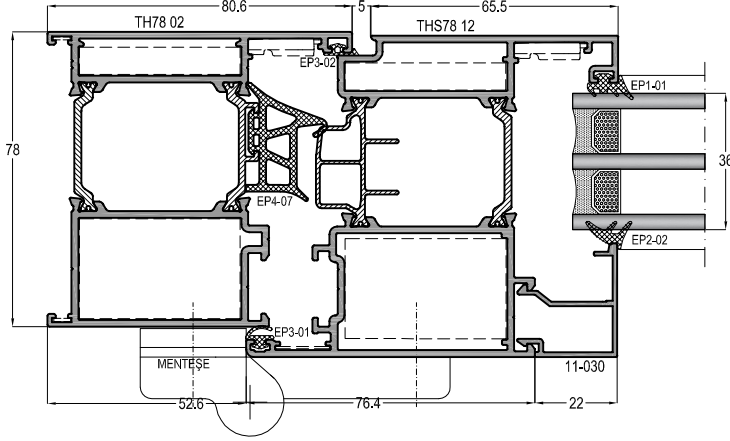
# TH78 - 1,8mm

YALITIMLI KAPI-PENCERE SİSTEMİ  
THERMAL WINDOW&DOOR SYSTEM

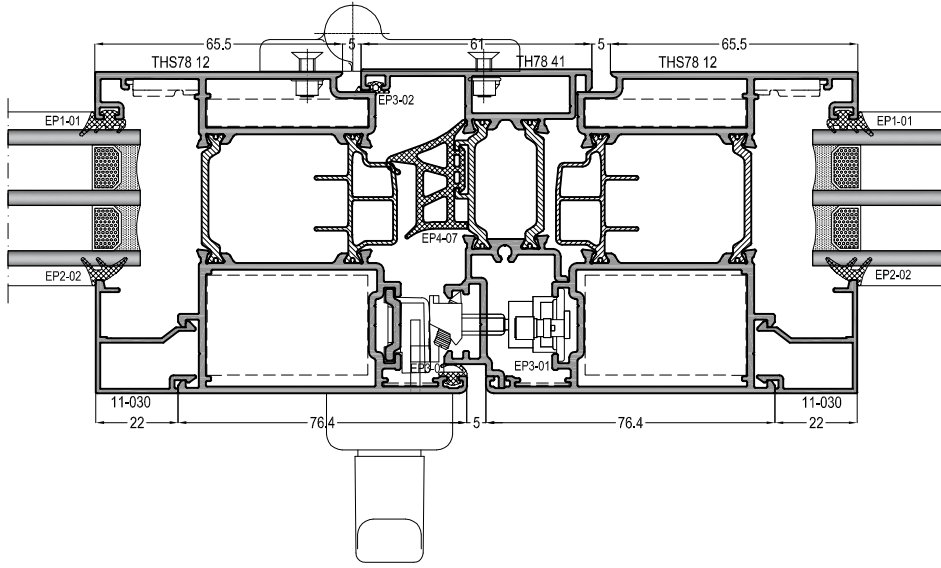


## KATLANIR KAPI DETAYLARI FOLDING DOOR DETAILS

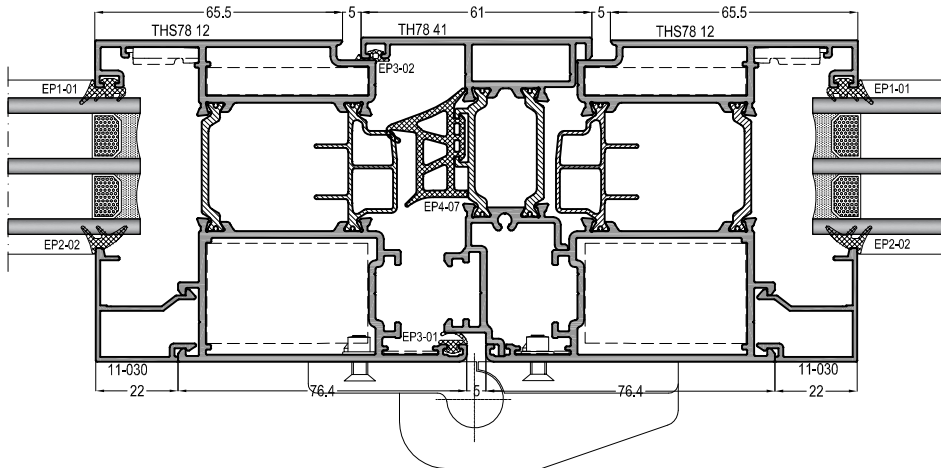
1



2



3



# TH78 - 1,8mm

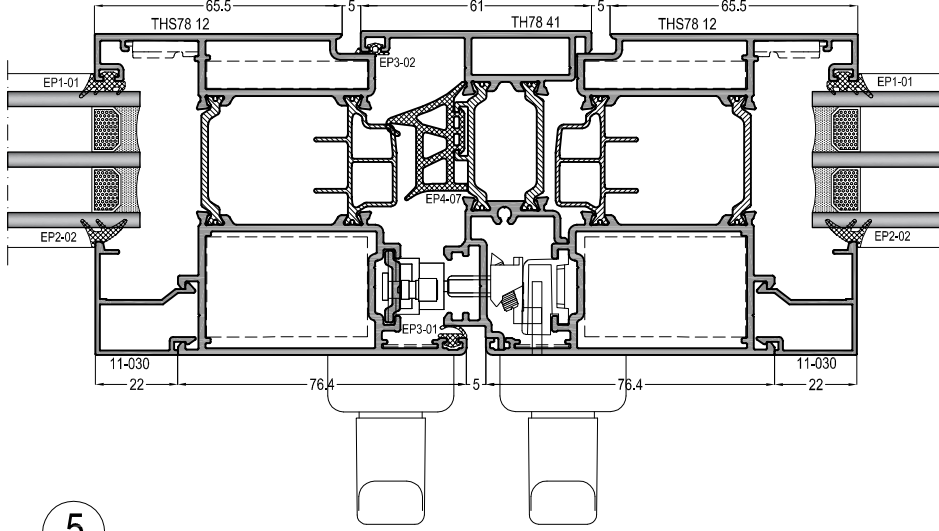
YALITIMLI KAPI-PENCERE SİSTEMİ  
THERMAL WINDOW&DOOR SYSTEM

## ASISTAL

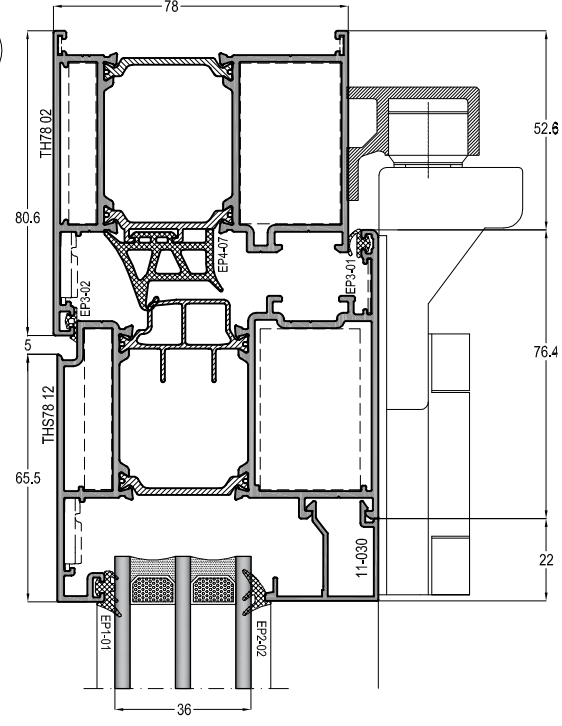
### KATLANIR KAPI DETAYLARI

### FOLDING DOOR DETAILS

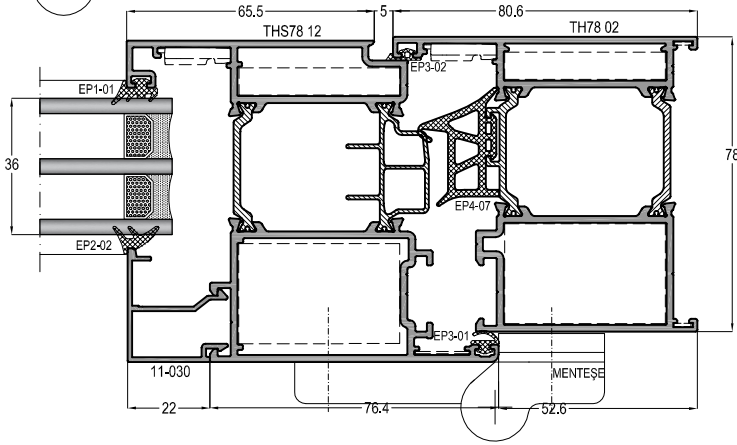
4



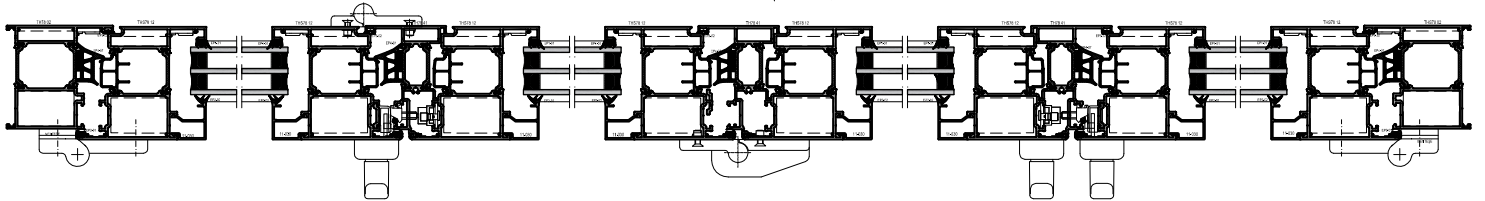
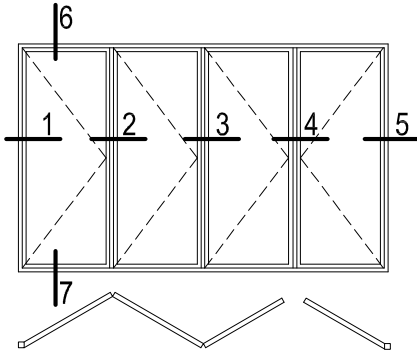
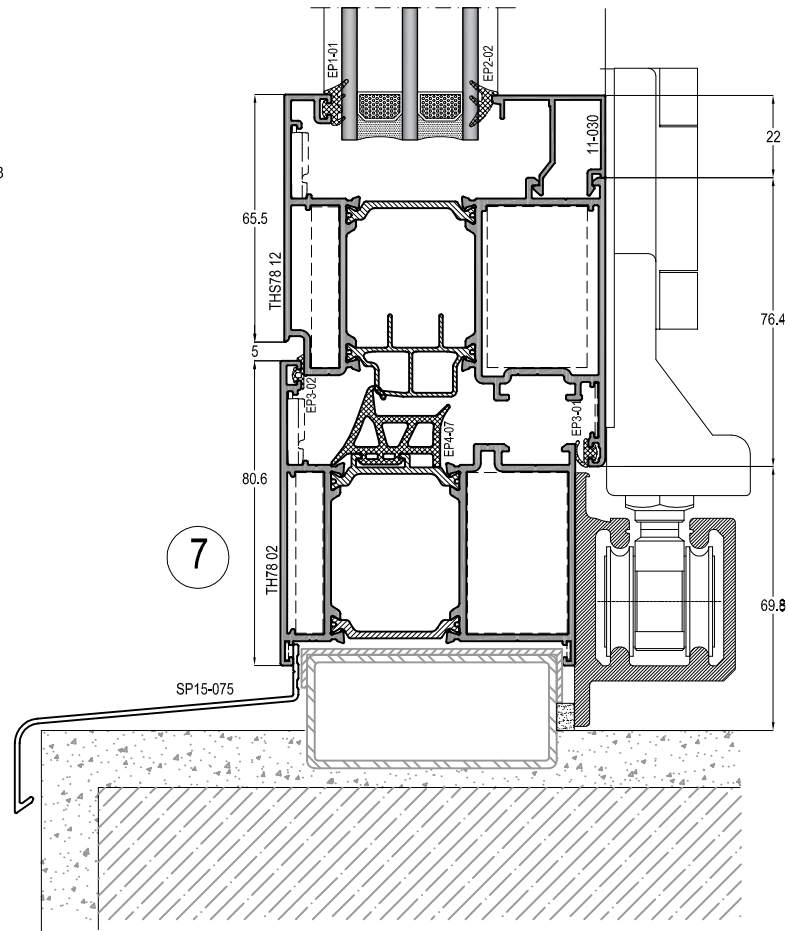
6



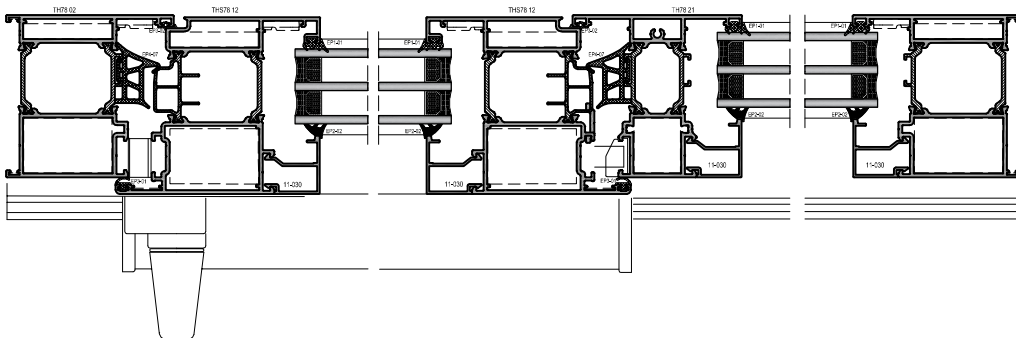
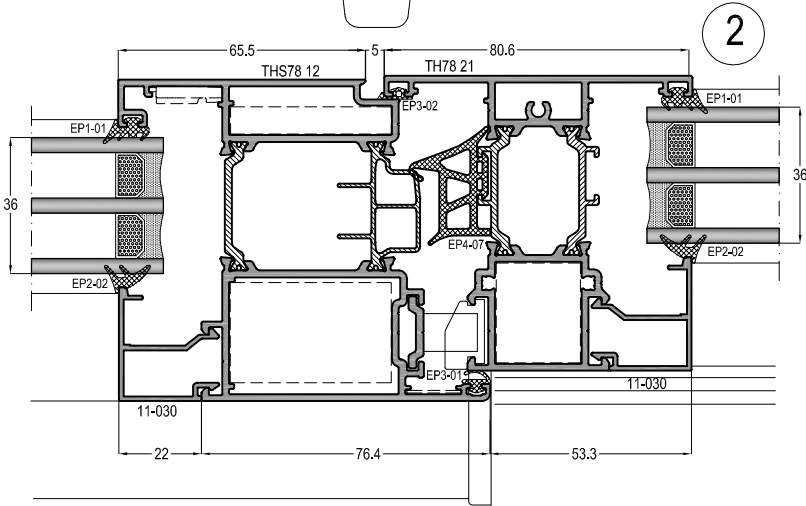
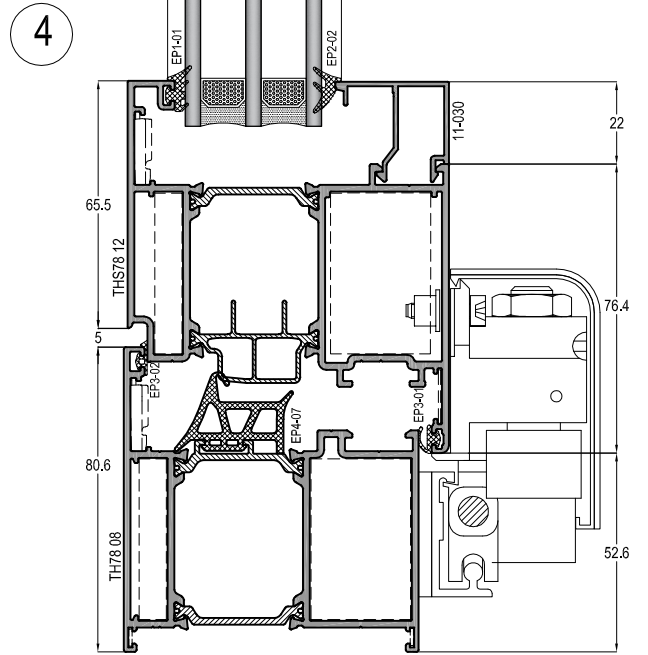
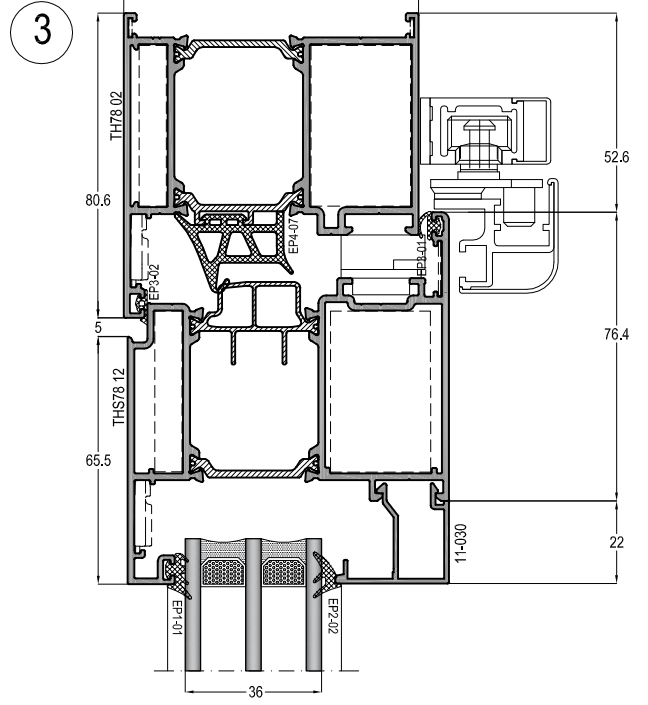
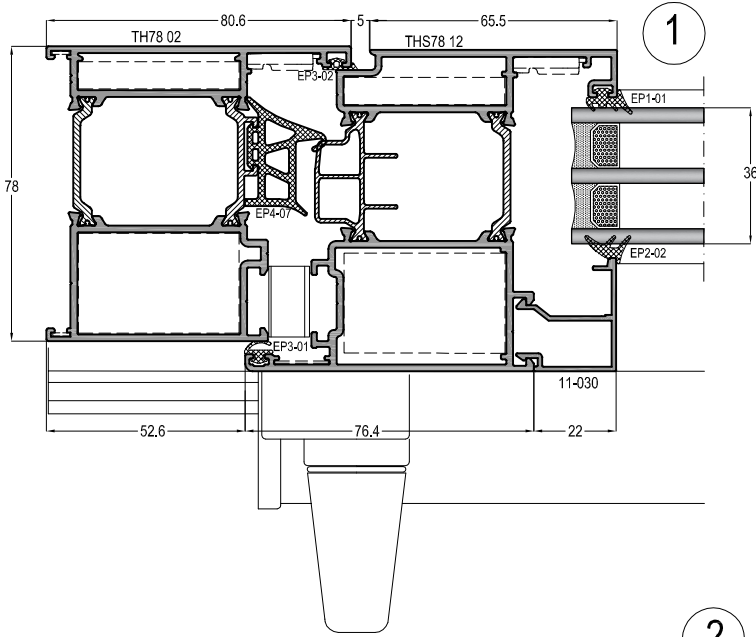
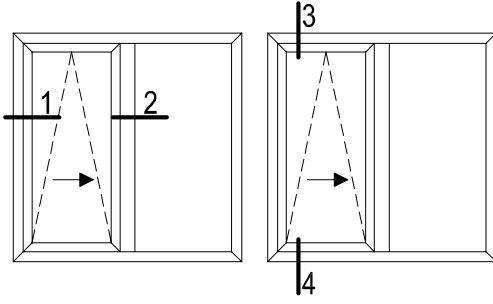
5



7



### PARALEL SÜRME DETAYLARI PARALLE SLIDING DETAILS



**TH78 - 1,8mm**

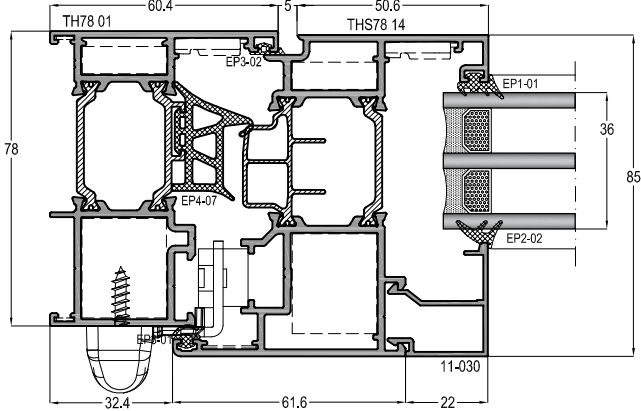
YALITIMLI KAPI-PENCERE SİSTEMİ  
THERMAL WINDOW&DOOR SYSTEM

**ASISTAL**

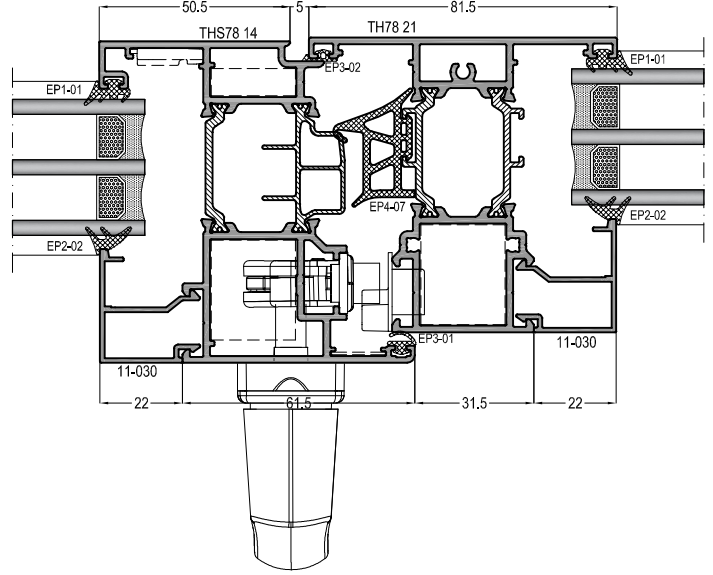
**ÇOK NOKTADAN KİLİTLEME THS SİSTEM DETAYLARI**  
***MULTI POINT LOCKING THS SYSTEM DETAILS***

### PENCERE AÇILIM DETAYLARI WINDOW OPENING DETAILS

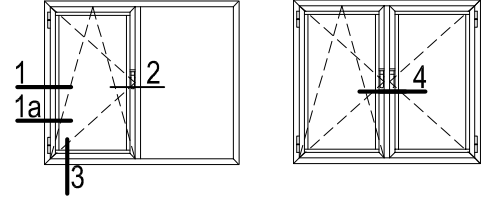
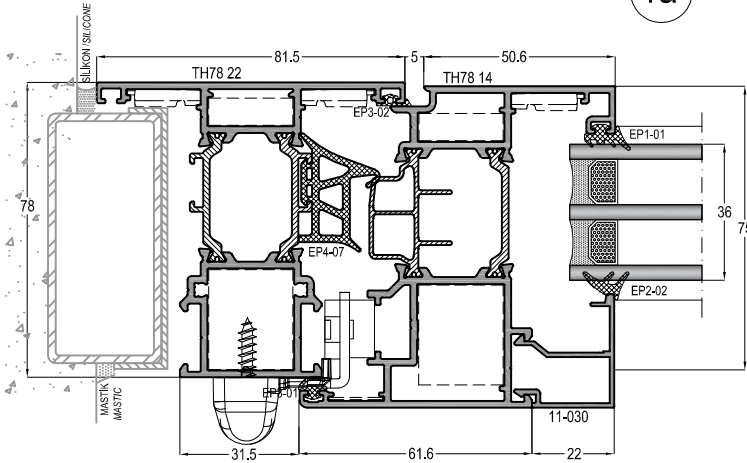
1



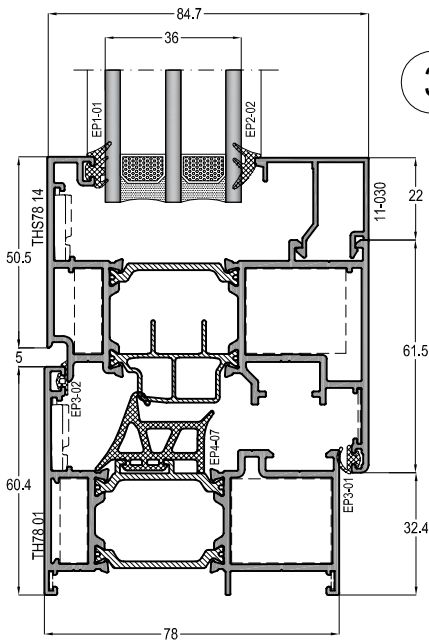
2



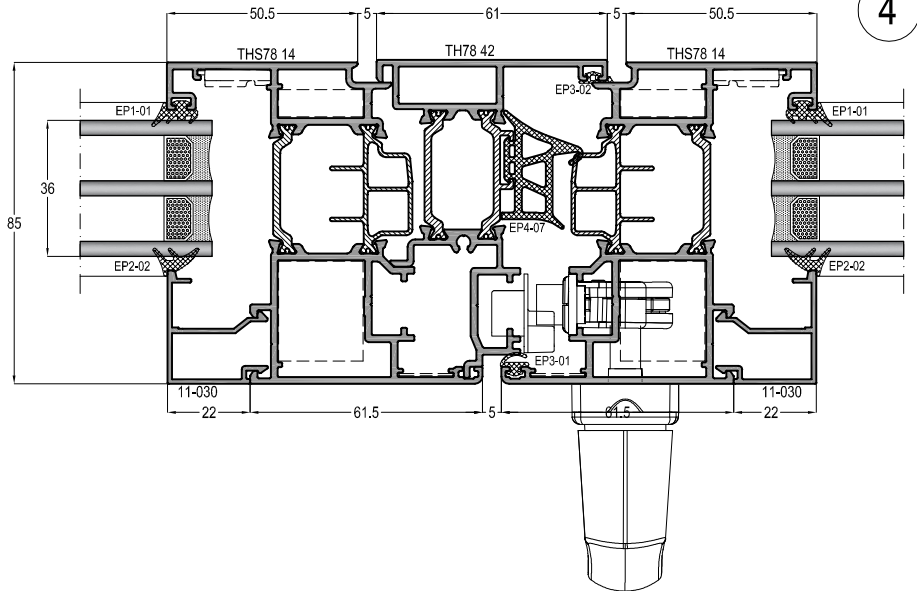
1a

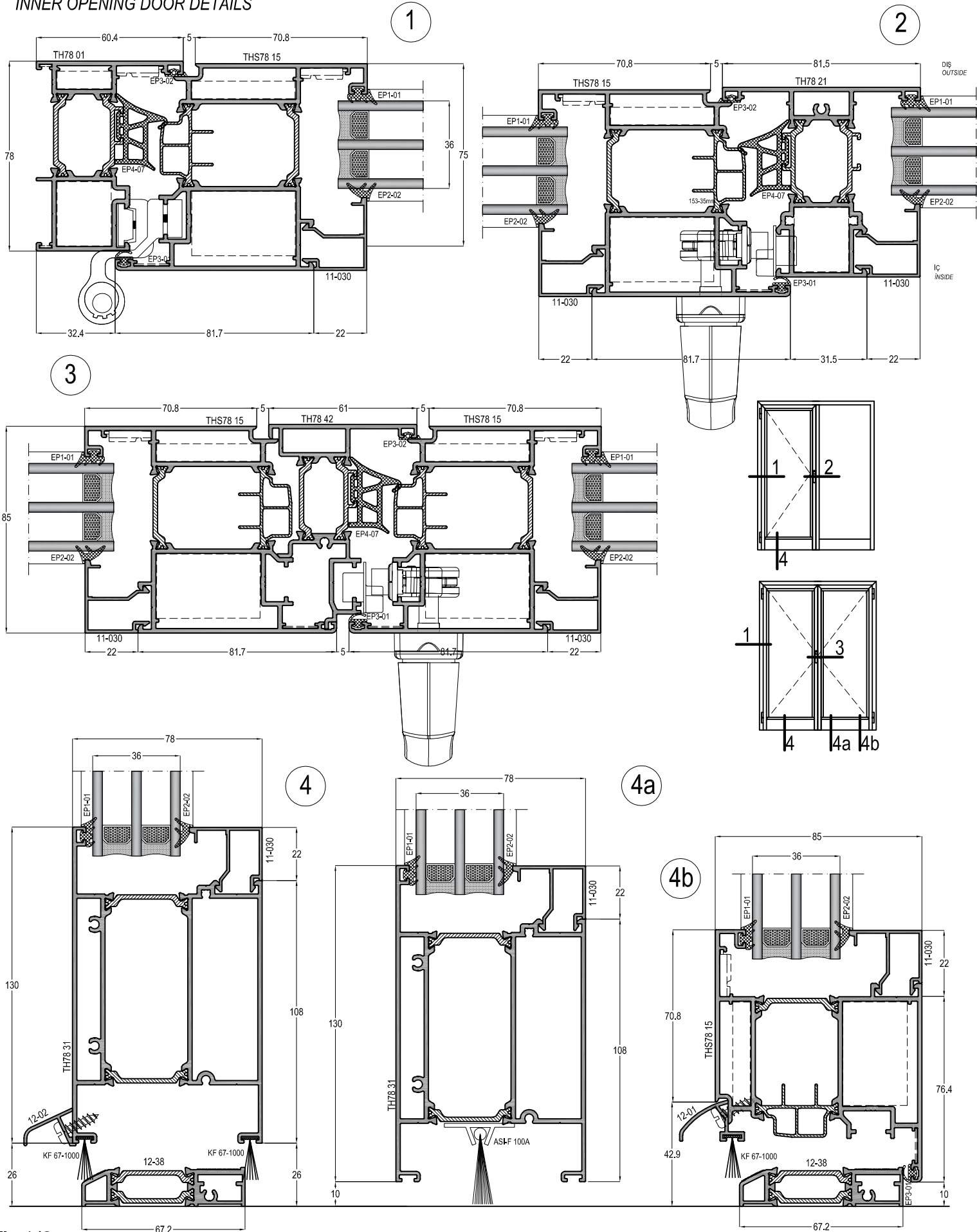


3

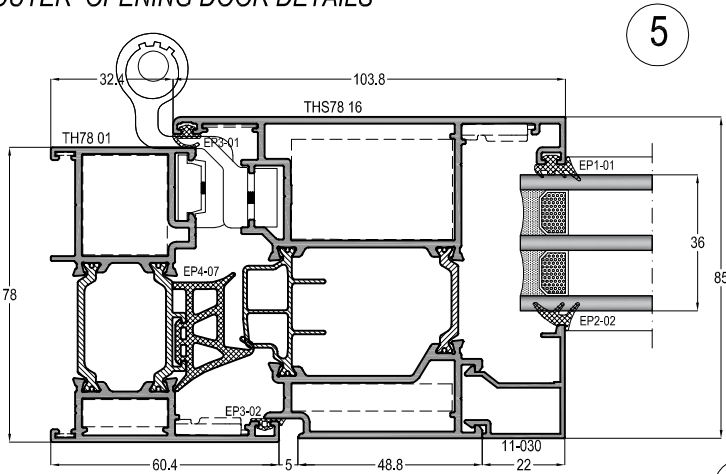


4

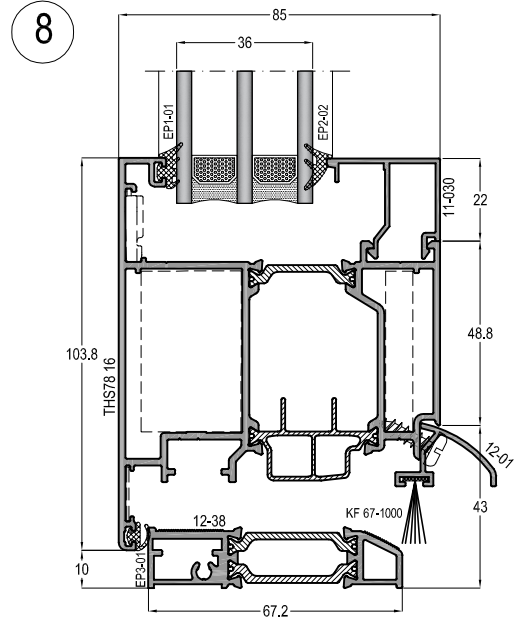


İÇE AÇILIR KAPI DETAYLARI  
INNER OPENING DOOR DETAILS

### DIŞA AÇILIR KAPI DETAYLARI OUTER OPENING DOOR DETAILS

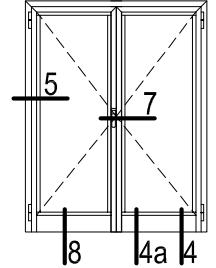
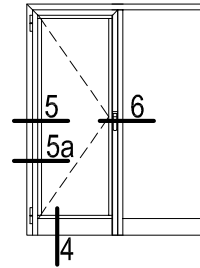
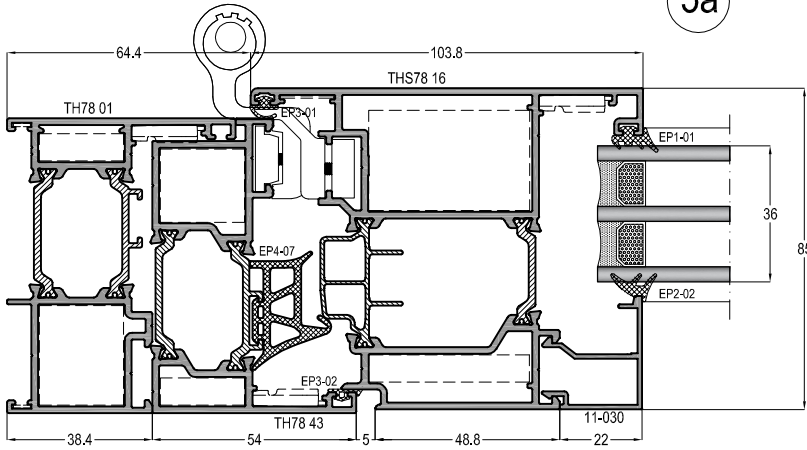


5

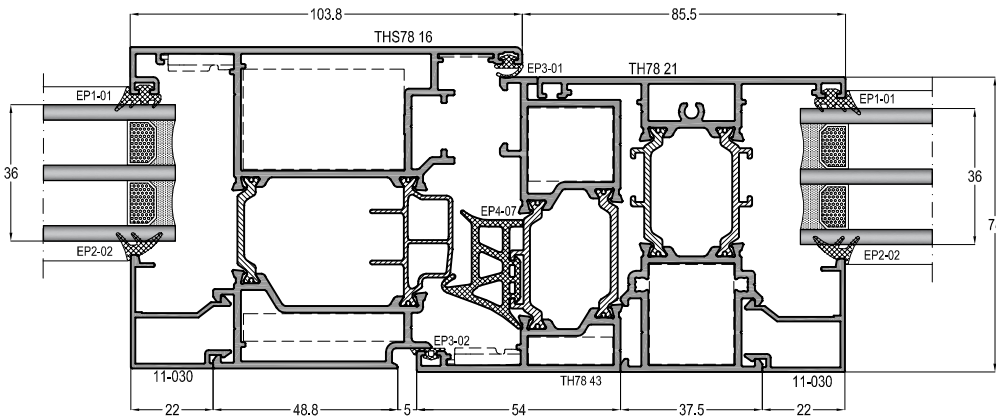


8

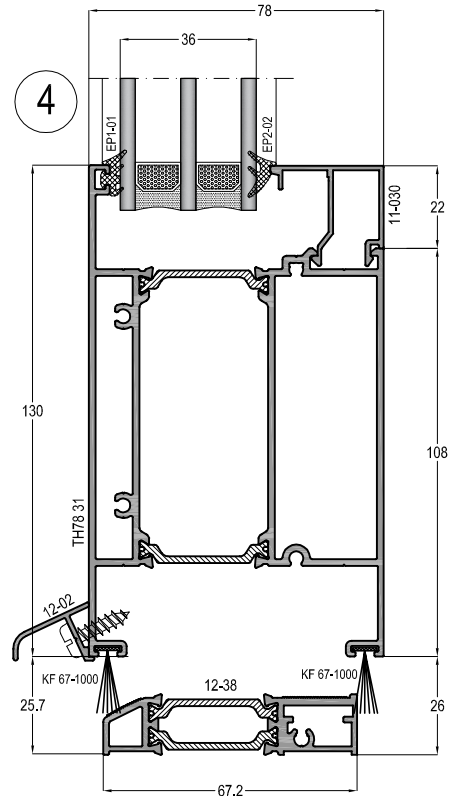
5a



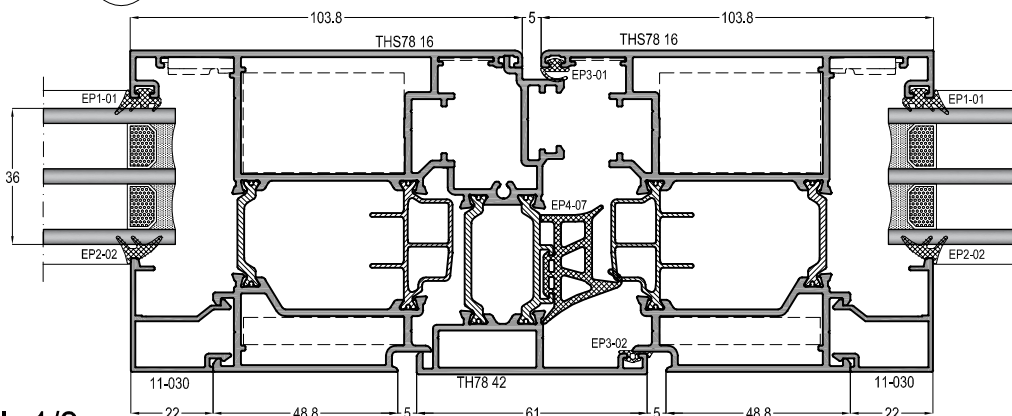
6



4



7



**TH78 - 1,8mm**

YALITIMLI KAPI-PENCERE SİSTEMİ  
THERMAL WINDOW&DOOR SYSTEM

**ASISTAL**

**KESİM ve MONTAJ**  
*CUTTING & ASSEMBLY*

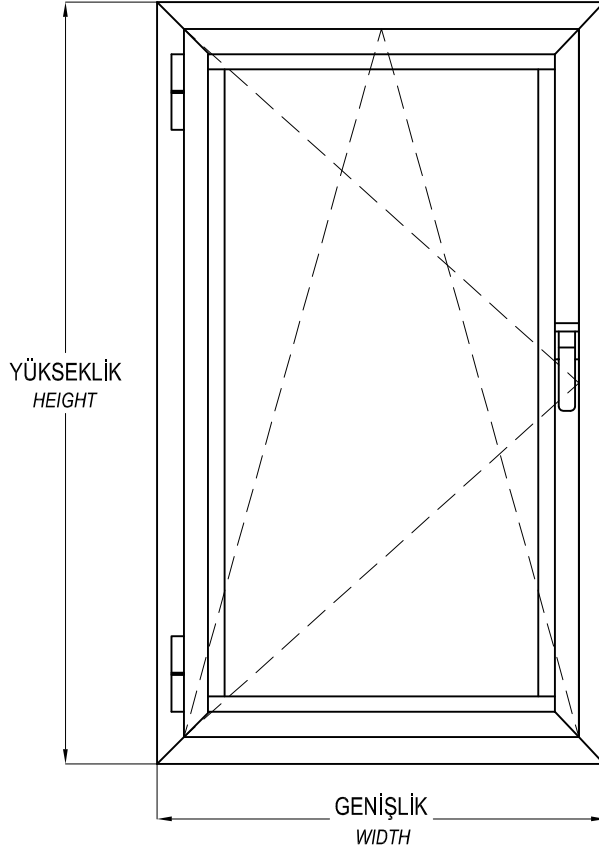


**TH78 - 1,8mm**

YALITIMLI KAPI-PENCERE SİSTEMİ  
THERMAL WINDOW&DOOR SYSTEM

**ASISTAL**

**MULTI POINT SİSTEM (PVC KANALLI) ÇİFT EKSEN AÇILIM AKSESUAR TABLOSU**  
MULTI POINT SYSTEM TILT&TURN OPENING ACCESSORIES TABLE



**MULTI POINT (PVC KANALLI) KİLİTLEME AKSESUAR SEÇİM TABLOSU**

MULTI POINT SYSTEM ACCESSORIES TABLE

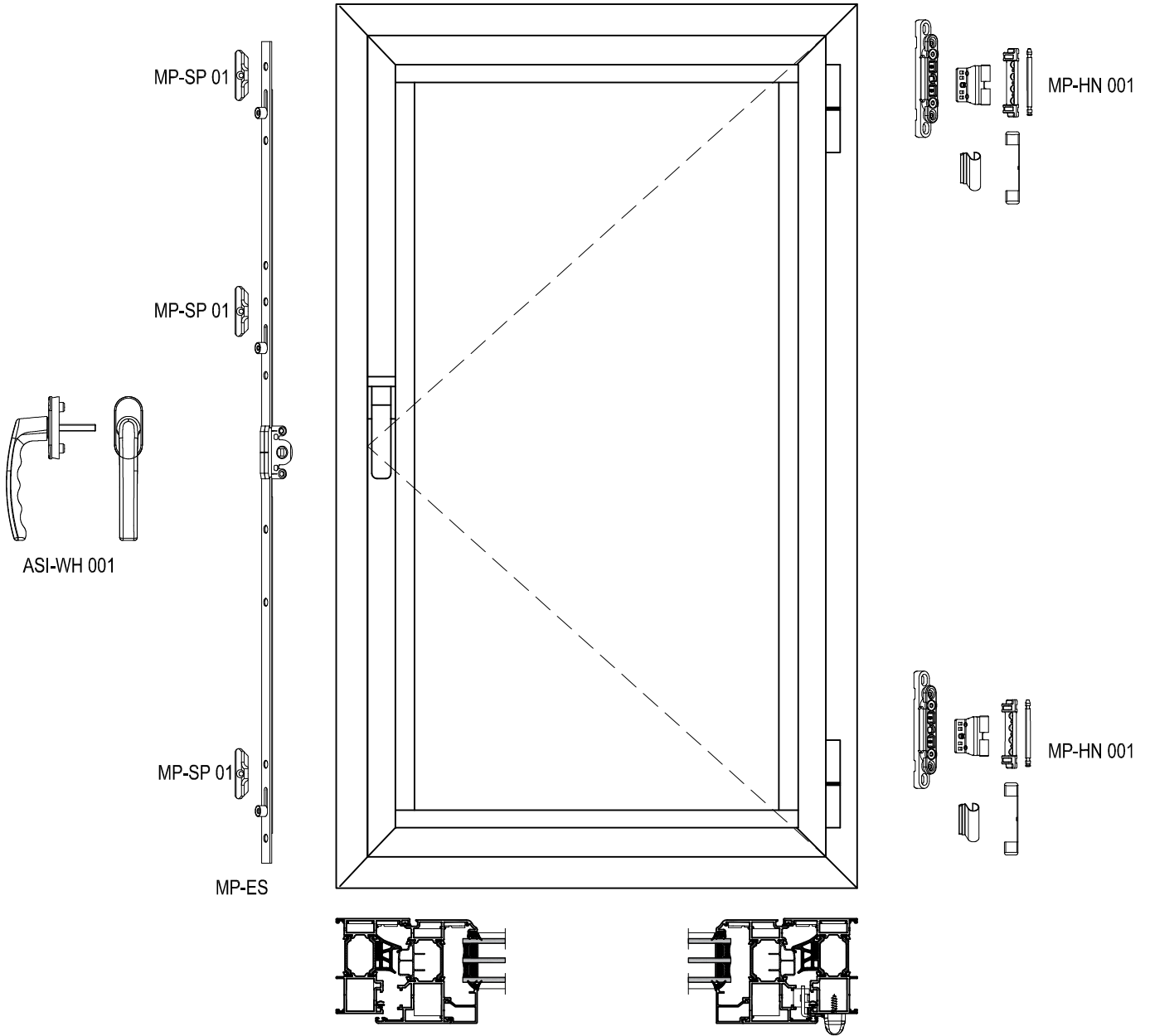
| YÜKSEKLİK - HEIGHT | GENİŞLİK - WIDTH |               |               |               |
|--------------------|------------------|---------------|---------------|---------------|
|                    | 400-600mm        | 600-850mm     | 850-1100mm    | 1100-1350mm   |
| 450-700 mm         | ASI-PVC TT 01    | ASI-PVC TT 02 | ASI-PVC TT 03 | ASI-PVC TT 04 |
| 700-1200 mm        | ASI-PVC TT 05    | ASI-PVC TT 06 | ASI-PVC TT 07 | ASI-PVC TT 08 |
| 1200-1400 mm       | ASI-PVC TT 09    | ASI-PVC TT 10 | ASI-PVC TT 11 | ASI-PVC TT 12 |
| 1400-1700 mm       | ASI-PVC TT 013   | ASI-PVC TT 14 | ASI-PVC TT 15 | ASI-PVC TT 13 |
| 1700-2400 mm       | ASI-PVC TT 017   | ASI-PVC TT 18 | ASI-PVC TT 19 | ASI-PVC TT 20 |

TH78 - 1,8mm

YALITIMLI KAPI-PENCERE SİSTEMİ  
THERMAL WINDOW&DOOR SYSTEM



MULTI POINT SİSTEM (PVC KANALLI) TEK EKSEN AÇILIM AKSESUARLARI  
MULTI POINT SYSTEM SINGLE OPENING WINDOW ACCESSORIES



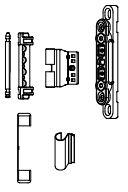
**TH78 - 1,8mm**

YALITIMLI KAPI-PENCERE SİSTEMİ  
THERMAL WINDOW&DOOR SYSTEM

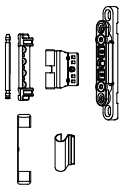


**MULTI POINT SİSTEM (PVC KANALLI) TEK KANAT AÇILIM KAPI AKSESUARLARI**  
MULTI POINT SYSTEM INNER / OUTER OPENING DOOR ACCESSORIES

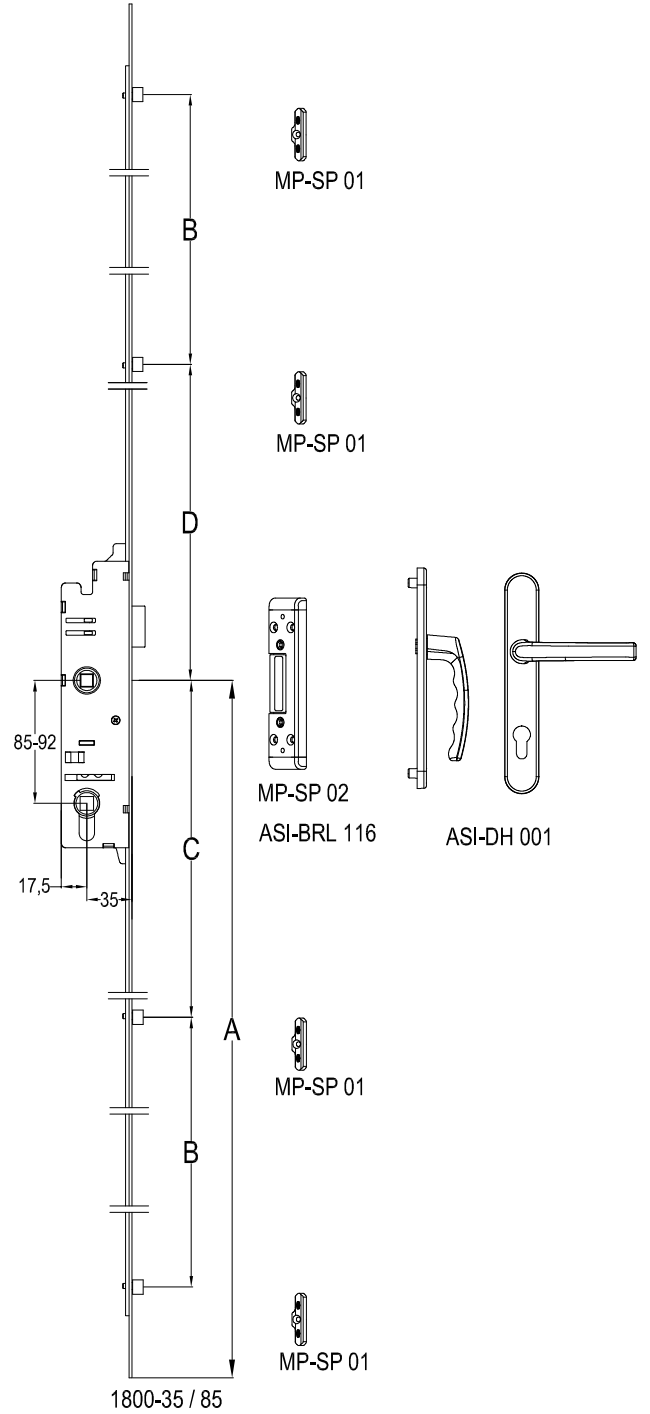
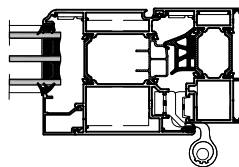
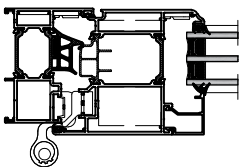
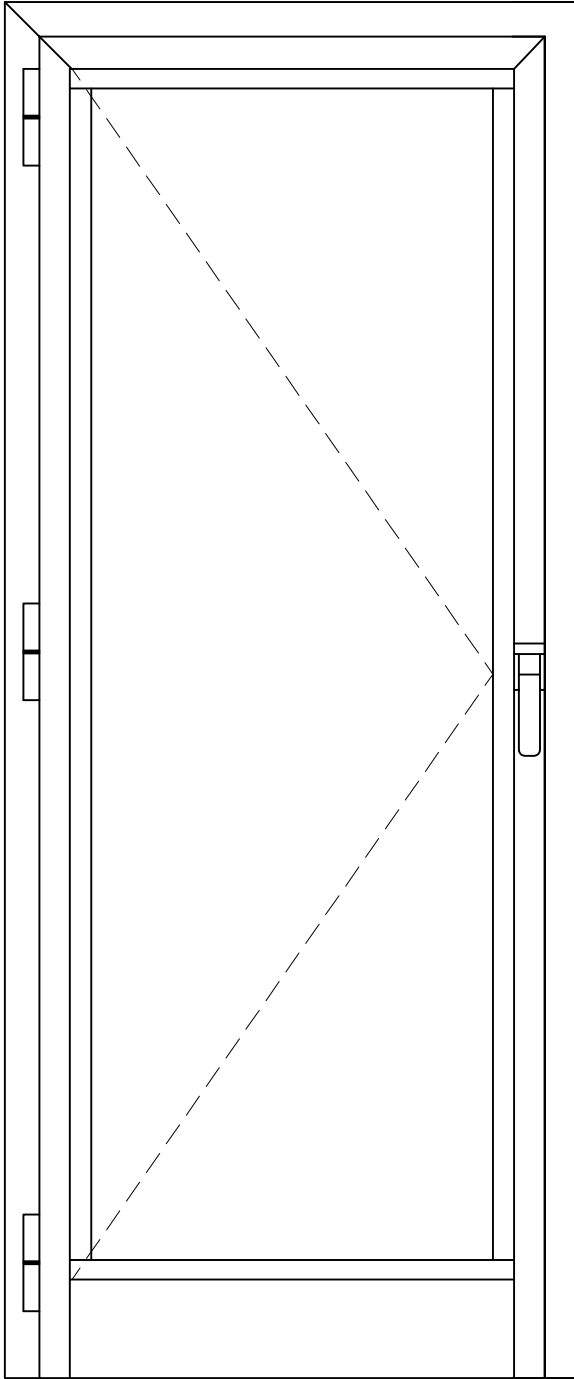
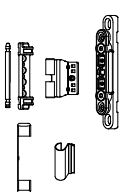
MP-HN 002



MP-HN 002



MP-HN 002



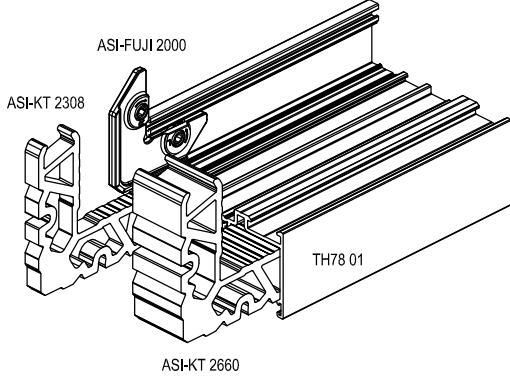
# TH78 - 1,8mm

YALITIMLI KAPI-PENCERE SİSTEMİ  
THERMAL WINDOW&DOOR SYSTEM

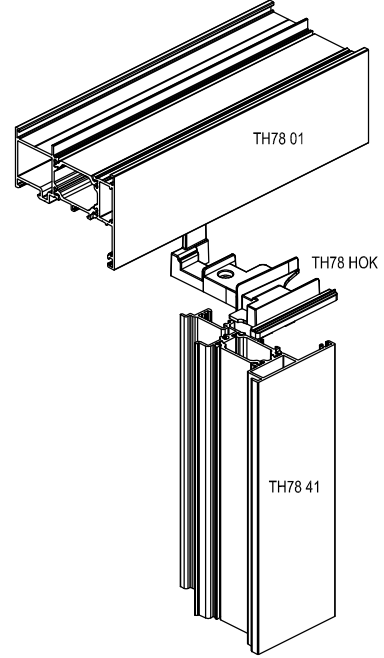
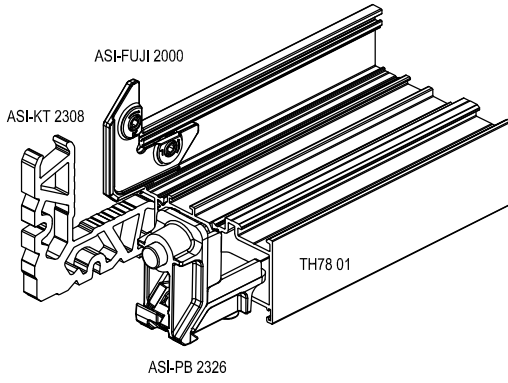
## ASISTAL

### KÖŞE BAĞLANTI DETAYLARI CORNER JOINT DETAILS

#### ÖNERİ : 1

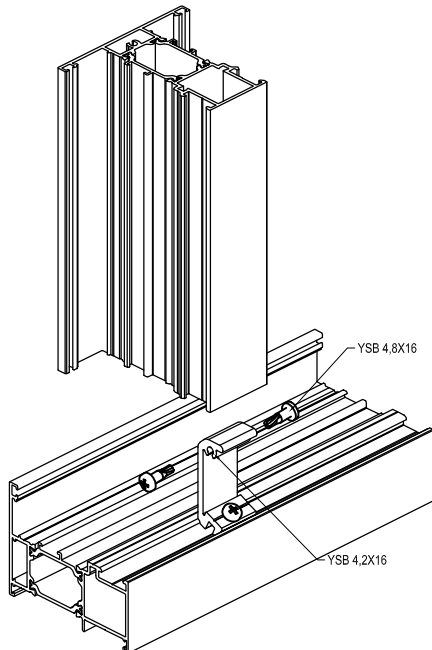


#### ÖNERİ : 2

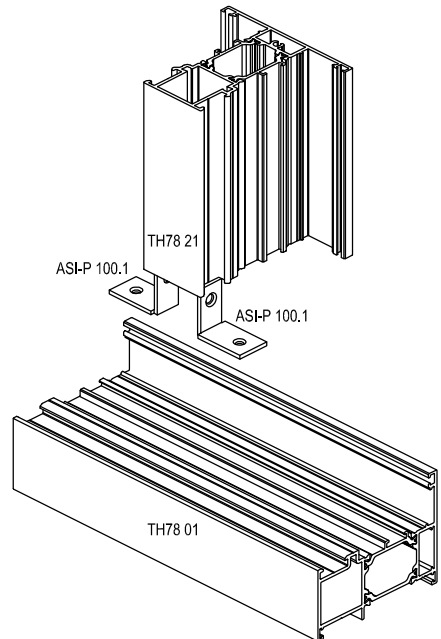


### DİK (ORTA KAYIT) BAĞLANTI DETAYLARI T JOINT DETAILS

#### ÖNERİ : 1



#### ÖNERİ : 2

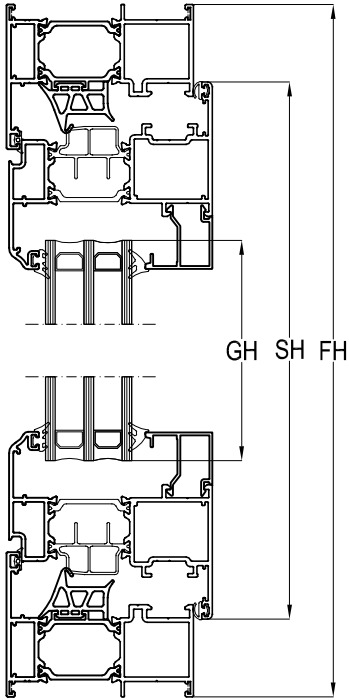
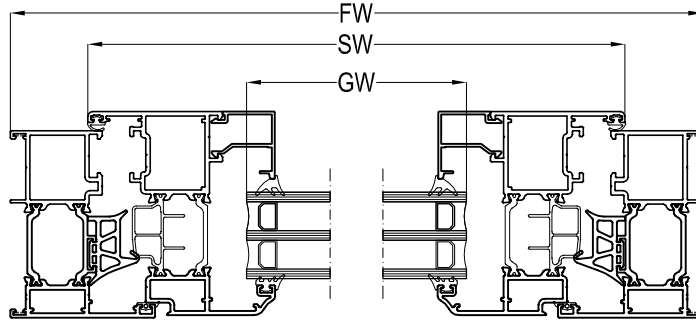
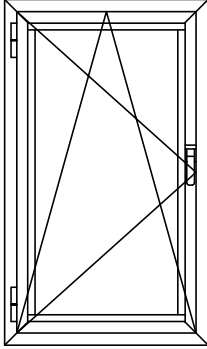


# TH78 - 1,8mm

YALITIMLI KAPI-PENCERE SİSTEMİ  
THERMAL WINDOW&DOOR SYSTEM

## ASISTAL

### TEK KANAT AÇILIM KESİM ÖLÇÜLERİ SINGLE SASH CUTTING SIZES



| KASA PROFİLİ<br>FRAME PROFILE | KANAT PROFİLİ<br>SASH PROFILE | KESİM ÖLÇÜLERİ<br>CUTTING SIZES |
|-------------------------------|-------------------------------|---------------------------------|
| TH78 01                       | TH78 11                       | SW = FW - 64,8mm                |
| TH78 01                       | THS78 11                      | GW = SW - 132,4mm               |
| TH78 01                       | TH78 18                       | SH = FH - 64,8mm                |
|                               |                               | GH = SH - 132,4mm               |
| TH78 01                       | TH78 12                       | SW = FW - 64,8mm                |
| TH78 01                       | THS78 12                      | GW = SW - 172,8mm               |
|                               |                               | SH = FH - 64,8mm                |
|                               |                               | GH = SH - 172,8mm               |
| TH78 02                       | TH78 11                       | SW = FW - 105,2mm               |
| TH78 02                       | THS78 11                      | GW = SW - 132,4mm               |
| TH78 02                       | TH78 18                       | SH = FH - 105,2mm               |
|                               |                               | GH = SH - 132,4mm               |
| TH78 02                       | TH78 12                       | SW = FW - 105,2mm               |
| TH78 02                       | THS78 12                      | GW = SW - 172,8mm               |
|                               |                               | SH = FH - 105,2mm               |
|                               |                               | GH = SH - 172,8mm               |

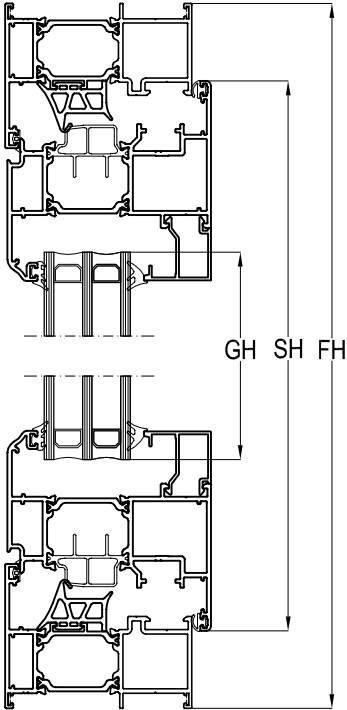
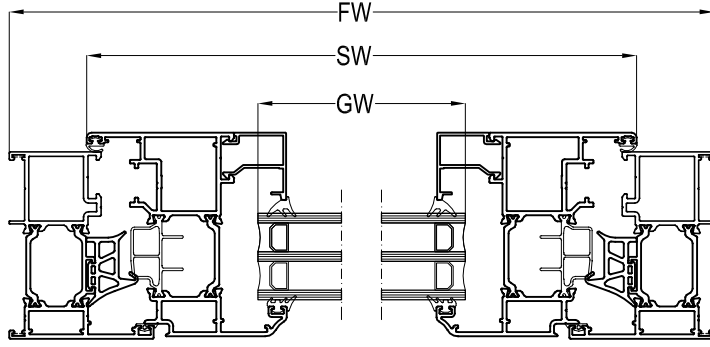
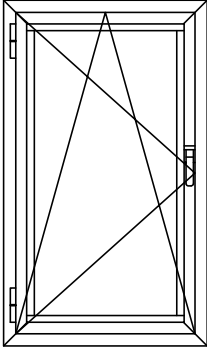
FW= KASA GENİŞLİĞİ / FRAME WIDTH      FH= KASA YÜKSEKLİĞİ / FRAME HEIGHT  
SW= KANAT GENİŞLİĞİ / SASH WIDTH      SH= KANAT YÜKSEKLİĞİ / SASH HEIGHT  
GW= CAM GENİŞLİĞİ / GLASS WIDTH      GH= CAM YÜKSEKLİĞİ / GLASS HEIGHT

# TH78 - 1,8mm

YALITIMLI KAPI-PENCERE SİSTEMİ  
THERMAL WINDOW&DOOR SYSTEM

## ASISTAL

### MULTI POIN (PVC KANALLI) TEK KANAT AÇILIM KESİM ÖLÇÜLERİ MULTI POINT SINGLE SASH CUTTING SIZES



| KASA PROFİLİ<br>FRAME PROFILE | KANAT PROFİLİ<br>SASH PROFILE | KESİM ÖLÇÜLERİ<br>CUTTING SIZES  |
|-------------------------------|-------------------------------|--|
| TH78 01<br>TH78 01            | TH78 14<br>THS78 14           | SW = FW - 64,8mm<br>GW = SW - 143mm<br><br>SH = FH - 64,8mm<br>GH = SH - 143mm       |
| TH78 01<br>TH78 01            | TH78 15<br>THS78 15           | SW = FW - 64,8mm<br>GW = SW - 183,4mm<br><br>SH = FH - 64,8mm<br>GH = SH - 183,4mm   |
| TH78 02<br>TH78 02            | TH78 14<br>THS78 14           | SW = FW - 105,2mm<br>GW = SW - 143mm<br><br>SH = FH - 105,2mm<br>GH = SH - 143mm     |
| TH78 02<br>TH78 02            | TH78 15<br>THS78 15           | SW = FW - 105,2mm<br>GW = SW - 183,4mm<br><br>SH = FH - 105,2mm<br>GH = SH - 183,4mm |

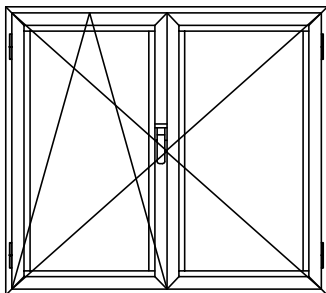
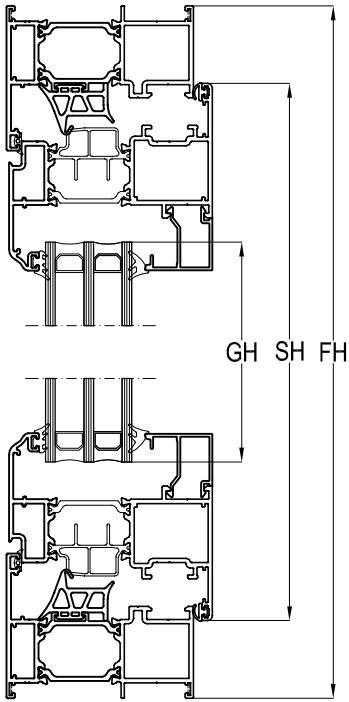
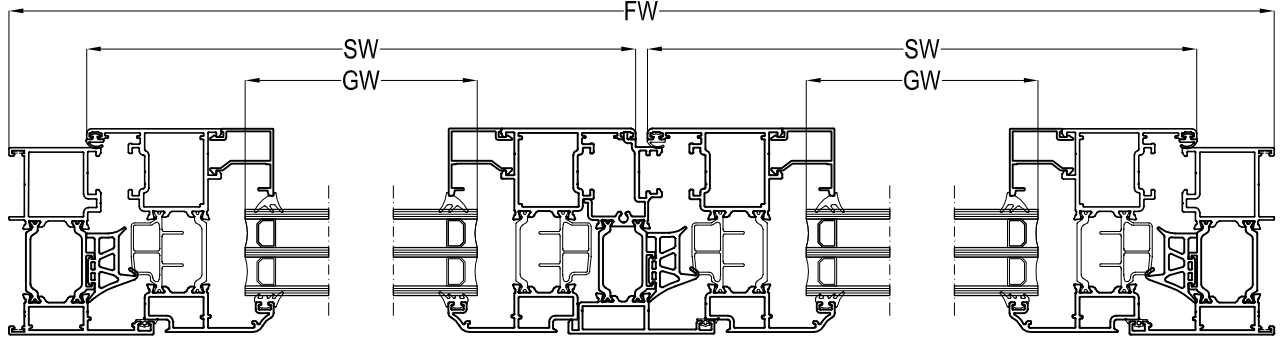
FW= KASA GENİŞLİĞİ / FRAME WIDTH      FH= KASA YÜKSEKLİĞİ / FRAME HEIGHT  
SW= KANAT GENİŞLİĞİ / SASH WIDTH      SH= KANAT YÜKSEKLİĞİ / SASH HEIGHT  
GW= CAM GENİŞLİĞİ / GLASS WIDTH      GH= CAM YÜKSEKLİĞİ / GLASS HEIGHT

# TH78 - 1,8mm

YALITIMLI KAPI-PENCERE SİSTEMİ  
THERMAL WINDOW&DOOR SYSTEM

## ASISTAL

### ÇİFT KANAT AÇILIM KESİM ÖLÇÜLERİ DOUBLE SASH CUTTING SIZES



| KASA PROFİLİ<br>FRAME PROFILE | KANAT PROFİLİ<br>SASH PROFILE  | KESİM ÖLÇÜLERİ<br>CUTTING SIZES   |
|-------------------------------|--------------------------------|---|
| TH78 01<br>TH78 01<br>TH78 01 | TH78 11<br>THS78 11<br>TH78 18 | SW = FW / 2 - 34,9mm<br>GW = SW - 132,4mm<br>SH = FH - 64,8mm<br>GH = SH - 132,4mm  |
| TH78 01<br>TH78 01            | TH78 12<br>THS78 12            | SW = FW / 2 - 34,9mm<br>GW = SW - 172,8mm<br>SH = FH - 64,8mm<br>GH = SH - 172,8mm  |
| TH78 02<br>TH78 02<br>TH78 02 | TH78 11<br>THS78 11<br>TH78 18 | SW = FW / 2 - 55,1mm<br>GW = SW - 132,4mm<br>SH = FH - 105,2mm<br>GH = SH - 132,4mm |
| TH78 02<br>TH78 02            | TH78 12<br>THS78 12            | SW = FW / 2 - 55,1mm<br>GW = SW - 172,8mm<br>SH = FH - 105,2mm<br>GH = SH - 172,8mm |

FW= KASA GENİŞLİĞİ / FRAME WIDTH

FH= KASA YÜKSEKLİĞİ / FRAME HEIGHT

SW= KANAT GENİŞLİĞİ / SASH WIDTH

SW= KANAT YÜKSEKLİĞİ / SASH HEIGHT

GW= CAM GENİŞLİĞİ / GLASS WIDTH

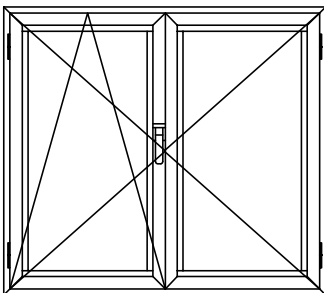
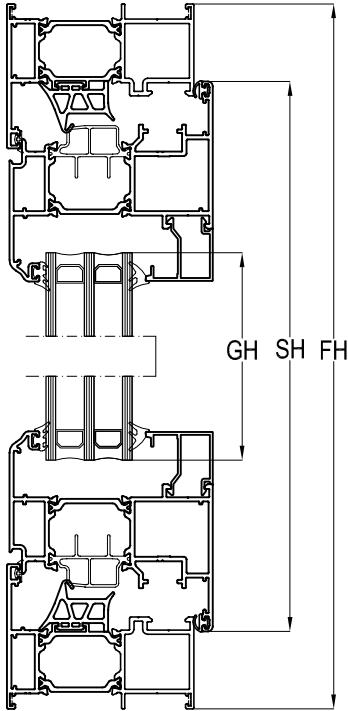
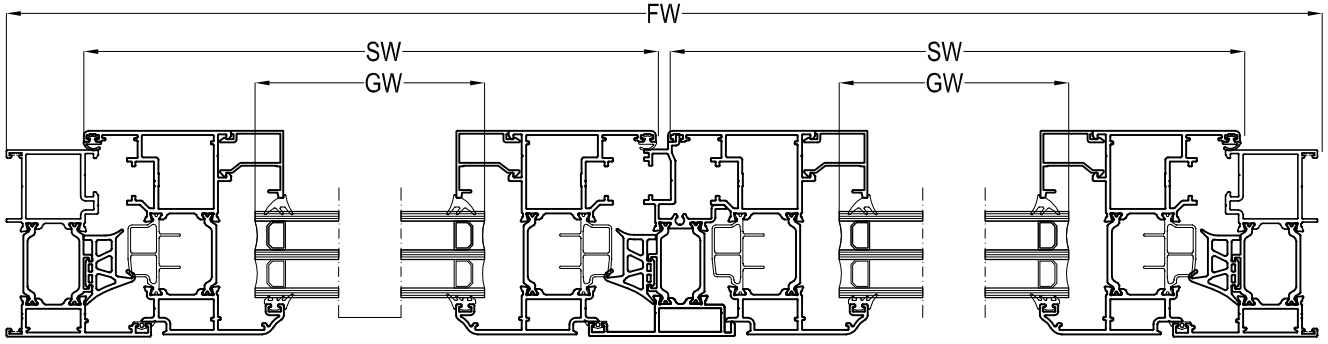
GW= CAM YÜKSEKLİĞİ / GLASS HEIGHT

# TH78 - 1,8mm

YALITIMLI KAPI-PENCERE SİSTEMİ  
THERMAL WINDOW&DOOR SYSTEM

## ASISTAL

### MULTI POIN (PVC KANALLI) ÇİFT KANAT AÇILIM KESİM ÖLÇÜLERİ MULTI POINT DOUBLE SASH CUTTING SIZES



| KASA PROFİLİ<br>FRAME PROFILE | KANAT PROFİLİ<br>SASH PROFILE | KESİM ÖLÇÜLERİ<br>CUTTING SIZES   |
|-------------------------------|-------------------------------|---|
| TH78 01<br>TH78 01            | TH78 14<br>THS78 14           | SW = FW / 2 - 34,9mm<br>GW = SW - 143mm<br><br>SH = FH - 64,8mm<br>GH = SH - 143mm      |
| TH78 01<br>TH78 01            | TH78 15<br>THS78 15           | SW = FW / 2 - 34,9mm<br>GW = SW - 183,4mm<br><br>SH = FH - 64,8mm<br>GH = SH - 183,4mm  |
| TH78 02<br>TH78 02            | TH78 14<br>THS78 14           | SW = FW / 2 - 55,1mm<br>GW = SW - 143mm<br><br>SH = FH - 105,2mm<br>GH = SH - 143mm     |
| TH78 02<br>TH78 02            | TH78 15<br>THS78 15           | SW = FW / 2 - 55,1mm<br>GW = SW - 183,4mm<br><br>SH = FH - 105,2mm<br>GH = SH - 183,4mm |

FW= KASA GENİŞLİĞİ / FRAME WIDTH      FH= KASA YÜKSEKLİĞİ / FRAME HEIGHT  
SW= KANAT GENİŞLİĞİ / SASH WIDTH      SH= KANAT YÜKSEKLİĞİ / SASH HEIGHT  
GW= CAM GENİŞLİĞİ / GLASS WIDTH      GH= CAM YÜKSEKLİĞİ / GLASS HEIGHT